
TABLE OF CONTENTS

BEFORE DRIVING	1
STEERING COLUMN CONTROLS	2
INSTRUMENT PANEL	3
OTHER CONTROLS AND EQUIPMENT	4
OPERATING YOUR VEHICLE	5
DRIVING TIPS	6
VEHICLE LOADING AND TOWING	7
INSPECTION AND MAINTENANCE	8
EMERGENCY SERVICE	9
BODY WORK CARE	10
GENERAL INFORMATION	11
SPECIFICATIONS	12

FOREWORD

This manual is an essential part of your vehicle and should remain with the vehicle when resold or otherwise transferred to a new owner or operator. Please read this manual carefully before operating your new MARUTI SUZUKI and review the manual from time to time. It contains important information on safety, operation and maintenance.

You are invited to avail the three Free Inspection Services as described in the manual. Three free inspection coupons are attached to this manual. Please show this manual to your dealer while you take your MARUTI SUZUKI for any Service.

To prolong the life of your vehicle and reduce maintenance cost, the periodic maintenance must be carried out according to "PERIODIC MAINTENANCE SCHEDULE" described in "INSPECTION AND MAINTENANCE" section of this manual. It is essential for preventing trouble and accidents to ensure your satisfaction and safety.

Daily inspection and care as per "DAILY INSPECTION CHECKLIST" described in the "INSPECTION AND MAINTENANCE" section of this manual is essential for prolonging the life of the vehicle and for safe driving.

MARUTI SUZUKI INDIA LIMITED believes in conservation and protection of Earth's natural resources.

To that end, we encourage every vehicle owner to recycle, trade-in or properly dispose of, as appropriate, used Engine Oil, coolant and other fluids, batteries and tyres etc.

MARUTI SUZUKI INDIA LIMITED

All information in this manual is based on the latest product information available at the time of publication. Due to improvements or other changes, there may be discrepancies between information in this manual and your vehicle. MARUTI SUZUKI INDIA LIMITED reserves the right to make production changes at any time, without notice and without incurring any obligation to make the same or similar changes to vehicles previously built or sold. This vehicle may not comply with standards or regulations of other countries. Before attempting to register this vehicle in any other country, check all applicable regulations and make any necessary modifications.

IMPORTANT

▲ WARNING/CAUTION/NOTE

Please read this manual and follow its instructions carefully. To emphasize special information, the symbol ▲ and the words **WARNING**, **CAUTION** and **NOTE** have special meanings. These special meanings apply except when laws or regulations require that the signal words be used with a different meaning. Pay special attention to the messages highlighted by these signal words:

▲ WARNING

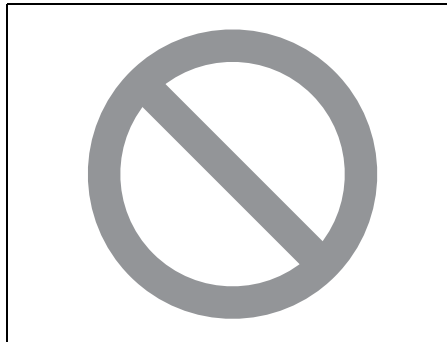
Indicates a potential hazard that could result in death or injury.

CAUTION

Indicates a potential hazard that could result in vehicle damage.

NOTE:

Indicates special information to make maintenance easier or instructions clearer.



75F135

The circle with a slash in this manual means "Don't do this" or "Don't let this happen".

MODIFICATION WARNING

▲ WARNING

Do not modify your vehicle. Modification could adversely affect safety, handling, performance, or durability and may violate governmental regulations. In addition, damage or performance problems resulting from modification may not be covered under warranty.

CAUTION

Improper installation of mobile communication equipment such as cellular telephones or CB (Citizen's Band) radios may cause electronic interference with your vehicle's ignition system, resulting in vehicle performance problems. Consult your MARUTI SUZUKI dealer for advice on installing such mobile communication equipment.

▲ WARNING

Severe damage may be caused by the use of either poor quality fuel and/or lubricants not recommended by MARUTI SUZUKI.

VEHICLE DETAILS

MODEL	CHASSIS NO.	ENGINE NO.	KEY NO.	DATE OF DELIVERY	ODOMETER READING (KM)	BATTERY	
						MAKE	SR.NO. BATCH CODE

OWNER'S NAME & ADDRESS _____ _____ _____ _____ TEL.NO. _____
--

ADDRESS/STAMP OF SELLING DEALER	SELLING DEALER CODE
SHOWROOM	
WORKSHOP	IMPORTANT INFORMATION TO CUSTOMER Dear Customer, For any assistance with regard to our product, please contact General Manager/Works Manager at any of our Dealer or Authorised Service Station. For additional enquiry you may contact our Regional Office or Service Department. The Addresses and Phone nos. are given in Service Network Booklet provided alongwith vehicle.

55KS0-74E

MAINTENANCE SERVICE RECORD

DATE OF SERVICE	KIND OF SERVICE	MILEAGE (KM)	DESCRIPTION OF JOB	NAME OF SERVICING DEALER/ MASS	JOB CARD NO.	MECHANICS SIGNATURE

F:..... FREE SERVICE, P:..... PAID SERVICE, W:..... WARRANTY JOB, A:..... ACCIDENTAL JOB

0-4

WARRANTY POLICY

Maruti Suzuki India Limited (hereinafter called "Maruti"), warrants that each new Maruti Suzuki vehicle distributed in India by Maruti Suzuki and sold by an authorised Maruti Suzuki dealer will be free, under normal use and service, from any defects in material and workmanship at the time of manufacture SUBJECT TO THE FOLLOWING TERMS AND CONDITIONS:

(1) Qualification:

To qualify for this warranty:

- (a) The Maruti Suzuki vehicle must be delivered by Maruti Suzuki authorised dealer and set-up, serviced by Maruti Suzuki authorised dealer service station.
- (b) The warranty registration card in respect of each vehicle must be completed by the dealer at the time of delivery of the vehicle and dealer should retain the same.

(2) Term:

The term of the warranty shall be twenty-four (24) months or 40,000 kilometers (whichever occurs first) from the date of delivery to the first owner.

(3) Maruti's Warranty Obligation:

If any defect(s) should be found in a Maruti Suzuki vehicle within the term stipulated above, Maruti's only obligation is to repair or replace at its sole discretion any part shown to be defective, with a new part or the equivalent at no cost to the owner for parts or labour, when Maruti Suzuki acknowledges that such a defect is attributable to faulty material or workmanship at the time of manufacture. The owner is responsible for any repair or replacements which are not covered by this warranty.

(4) Limitation:

This warranty shall not apply to:

- 1) normal maintenance service required other than the three free services, including without limitation, oil and fluid changes, headlight aiming, fastener retightening, wheel balancing, wheel alignment and tyre rotation, cleaning of injectors, adjustments of carburettor, ignition timing, clutch and valve clearance.
- 2) the replacement of normal wear parts including without limitation, bulbs, tyres and tubes, spark plugs, belts, hoses, filters, wiper blades, brushes, contact points, fuses, clutch disc, brake shoes, brake pads, cable and all rubber parts (except oil seal and glass run).
- 3) any vehicle which has been used for competition or racing.
- 4) any repairs or replacement required as a result of accidents or collision.
- 5) any defects caused by misuse, negligence, abnormal use or insufficient care.
- 6) any vehicle which has been modified or altered, including without limitation, the installation of performance accessories.
- 7) any vehicle on which parts or accessories not approved by Maruti Suzuki have been used.
- 8) any vehicle which has not been operated in accordance with the operating instructions in the Maruti Suzuki Owner's Manual.
- 9) any vehicle which has not received, during the warranty term, the service inspections prescribed in the Maruti Suzuki Owner's Manual.
- 10) any vehicle which has been assembled, disassembled, adjusted or repaired by other than an Maruti Suzuki authorised dealer/service station.
- 11) any vehicle which has been used for purposes other than what it was designed for.
- 12) any damage or deterioration caused by industrial pollution and bird droppings.

- 13) insignificant defects which do not affect the function of the vehicle including without limitation, sound, vibration and fluid seep.
- 14) any natural wear and tear including without limitation, aging etc.
- 15) Installation and usage of domestic LPG gas/LPG Cylinder.
- 16) V-belts, hoses and gas leaks (For Maruti Suzuki AC vehicle).
- 17) Any Vehicle retrofitted with LPG/CNG kits.

(5) Extent of Warranty:

This warranty is the entire written warranty given by Maruti Suzuki for Maruti Suzuki vehicles and no dealer or its or his agent or employee is authorised to extend or enlarge this warranty and no dealer or its or his agent or employee is authorised to make any oral warranty on Maruti's behalf.

Maruti Suzuki reserves the right to add any improvements or change the design of any model at any time with no obligation to make the same changes on units previously sold.

(6) Warranty Service:

To obtain warranty service, the complete vehicle must be presented at the owner's expenses to any authorised Maruti Suzuki dealer.

(7) Owner's Warranty Responsibilities:

It is responsibility of each owner to:

- make certain that the warranty registration/PDI card was completed at the time of delivery of the vehicle;
- have performed, at his own expenses, by an Maruti Suzuki authorised dealer/service station all the service inspections specified in the Maruti Suzuki "Owner's Manual and Service Booklet and maintain adequate proof that such service inspections have been performed.

- make certain that the Maruti Suzuki authorised dealer/service station performing the service inspection has certified the work on the "Maintenance Service Record" page in the "Owner's Manual and Service Booklet and
- present the Maruti Suzuki "Owner's Manual and Service Booklet to the authorised Maruti Suzuki dealer whenever requesting service inspections or warranty service.

If the "Owner's Manual and Service Booklet should be lost or destroyed the owner should consult the authorised Maruti Suzuki dealer from whom the vehicle was purchased for instructions concerning replacement of the "Owner's Manual and Service Booklet.

(8) Disclaimer of Consequential Damage:

Maruti Suzuki assumes no responsibility for loss of vehicle, loss of time"

inconvenience or any other indirect incidental or consequential damage resulting from the vehicle not being available to the owner because of any defect covered by this warranty.

(9) Change of Owner

Even if ownership of the vehicle changes, the remaining warranty period is effective for the new owner.

EMISSION WARRANTY POLICY

Maruti Suzuki offers the Emission Warranty on all Maruti Suzuki vehicles (apart from the Regular Warranty and will run parallel to the regular product warranty) only in four metropolitan cities (New Delhi, Kolkata, Mumbai and Chennai) with effect from July 1st, 2001.

Terms:

The Emission Warranty will be applicable for 80,000 kms or 3 years (Whichever comes earlier) from the date of delivery to the first owner. The remaining warranty terms will be valid in case of any change in ownership provided the production of all valid documents.

Conditions:

1. Under Emission Warranty, Warranty claims will be admitted for a prima facie examination, in case vehicle fails to meet the Emission Standard as specified in sub rule (2) of rule no. 115 of Central Motor Vehicles Rules (CMVR), 1989.
2. The warranty claims will only be accepted after examination carried out by Maruti Suzuki or its dealer which leads to firm conclusions that the
 - a) Original settings have not been tempered in any case.
 - b) Part (as given in Annexure - A) has a manufacturing defect.
 - c) Vehicle is unable to meet the Emission Standards (as given in 1.), in spite of the vehicle having been maintained and used in accordance with the instructions as specified in Owner's Manual and Service Booklet and the used fuel and different oils (Engine oil, Transmission oil, Brake oil etc.) are also as per specification.

3. The method of examination for deciding the warranty of the parts will be at the sole discretion of Maruti Suzuki and its dealer and results of the examination will be final and binding. If after examination, the warrantable condition is not established, Maruti Suzuki and its dealer has the right to charge all, or part of the cost of such examination.
4. Under Emission Warranty, the parts (as given in Annexure - A) will be changed free of cost, but the consumables will be charged as per actual.
5. If the part covered under Emission Warranty or the associated parts, are not independently replaceable, on account of these being integral parts of a complete assembly, Maruti Suzuki and its dealer will have the sole discretion to replace either the entire assembly or by using some of the parts of the system through suitable repairs or modifications.
6. Any consequential repairs or replacement of parts which may be found necessary to establish compliance of Emission Warranty, will not be considered under warranty, unless the same is under product warranty. The consumable will be charged as per actual under such repair or replacement.
7. Maruti Suzuki will not be responsible for the cost of transportation of the vehicle to the nearest Maruti Suzuki dealer workshop or any loss due to non-availability of the vehicle during the period of lodging of a warranty claim and examination and/or repair by Maruti Suzuki dealer.
8. Maruti Suzuki will not be responsible for any penalty that may be charged by statutory authorities on account of failure to comply with the EMISSION STANDARDS.
9. Emission Warranty will not be affected on the change of owner, provided all the documents are available.

10. All maintenance actions (as specified in the Owner's Manual and Service Booklet) need to be followed and recorded in the manual for emission warranty.

11. The customer needs to produce the PUC (Pollution Under Control) certificate valid for the period preceeding the test during which the failure is discovered. The receipts (for the maintenance of the vehicle as per specification in Owner's Manual and Service Booklet from the date of original purchase of the vehicle) will also be required.

Conditions under which the Emission Warranty is not APPLICABLE

1. In the absence of valid PUC certificate.
2. Vehicle not serviced from Maruti Suzuki authorised workshop as per the schedule specified in the Owner's Manual.
3. Vehicle subjected to abnormal use (accident, motor race, rallies or for the purpose of establishing the records etc).
4. Use of non MGP (Maruti Genuine Part).
5. Vehicle tampered in an unauthorised manner.
6. Tampering with odometer so that the actual kilometer reading can not be read.
7. Use of adulterated fuel and/or unspecified oils (Engine oil, Transmission oil and Brake oil etc).

Annexure - A

List of parts covered under Emission Warranty

1. Fuel Injection Assembly, Pressure Regulator, Throttle Body Assembly.
2. Electronic Control Module (ECM).
3. Intake Manifold.
4. EGR valve.
5. Distributor and internal parts.
6. Ignition Coil.
7. Canister Assembly.
8. Vapour Liquid Separator.
9. Fuel Tank and Filler Cap.
10. PCV (Positive Crankcase Ventilation) Valve.
11. Oil Filler Cap.
12. Catalytic Converter.
13. Exhaust Manifold.
14. All Fuel Injection System related SENSORS.

MEMO

55KS0-74E

MEMO

BEFORE DRIVING

1

Fuel Recommendation	1-1
Keys	1-2
Immobilizer System (Petrol Engine)	1-2
Door Locks	1-4
Keyless Entry Cum Alarm System (if equipped)	1-5
Windows	1-15
Mirrors	1-17
Seat Adjustment	1-19
Adjustable Head Restraints (if equipped)	1-20
Seat Belts and Child Restraint Systems	1-21
Supplemental Restraint System (air bags) (if equipped)	1-32

BEFORE DRIVING

55KS0-74E

Fuel Recommendation

Petrol Engine

You must use unleaded petrol with an octane number (RON) of 91 or higher.

Diesel Engine

The diesel fuel should be with Cetane Number (CN) higher than 51 and sulphur content less than 350 ppm (parts per million). Do not use marine diesel fuel, heating oils and so forth.

CAUTION
Use of leaded fuel in vehicle equipped with catalytic converter is prohibited, because lead deactivates the pollutant reducing components of catalytic converter and may result in permanent damage to catalytic converter.

Petrol/Ethanol Blends

Blends of unleaded petrol and ethanol (grain alcohol), also known as gasohol, are commercially available in some areas. Blends of this type may be used in your vehicle if they are no more than 5% ethanol. Make sure this petrol-ethanol blend has octane ratings no lower than those recommended for petrol.

Petrol/Methanol Blends

Blends of unleaded petrol and methanol (wood alcohol) are also commercially available in some areas. DO NOT USE fuels containing more than 5% methanol under any circumstances. Fuel system damage or vehicle performance problems resulting from the use of such fuels are not the responsibility of MARUTI SUZUKI and may not be covered under Warranty. Fuels containing 5% or less methanol may be suitable for use in your vehicle if they contain cosolvents and corrosion inhibitors.

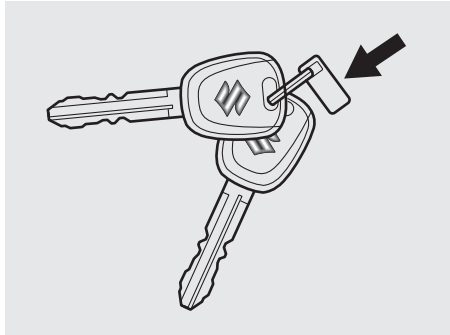
NOTE:

If you are not satisfied with the driveability or fuel economy of your vehicle when you are using a petrol/alcohol blend, you should switch back to unleaded petrol containing no alcohol.

CAUTION
The fuel tank has an air space to allow for fuel expansion in hot weather. If you continue to add fuel after the filler nozzle has automatically shut off or an initial blowback occurs, the air chamber will become full. Exposure to heat when fully fuelled in this manner will result in leakage due to fuel expansion. To prevent such fuel leakage, stop filling after the filler nozzle has automatically shut off, or when using an alternative non automatic system, initial vent blowback occurs.

CAUTION
Be careful not to spill fuel containing alcohol while refueling. Fuels containing alcohol can cause paint damage, which is not covered under the New Vehicle Limited Warranty.

Keys



54G489

Your vehicle comes with a pair of identical keys. Keep the spare key in a safe place. One key can open all of the locks on the vehicle.

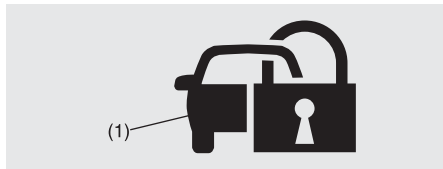
The key identification number is stamped on a metal tag provided with the keys or on the keys. Keep the tag (if equipped) in a safe place. If you lose your keys, you will need this number to have new keys made. Write the number below for your future reference.

KEY NUMBER:

Immobilizer System (Petrol Engine)

This system is designed to help prevent vehicle theft by electronically disabling the engine starting system.

The engine can be started only with your vehicle's original immobilizer ignition key which has an electronic identification code programmed into it. The key communicates the identification code to the vehicle when the key is turned to the "ON" position. If you need to make spare keys, see your MARUTI SUZUKI dealer. The vehicle must be programmed with the correct identification code for the spare keys. A key made by an ordinary locksmith will not work.



54G003

If the Immobilizer system light (1) blinks when the ignition switch is in the "ON" position, there may be something wrong with your key or with the immobilizer system. Ask your MARUTI SUZUKI dealer to inspect the system.

NOTE:

- If you lose your Immobilizer ignition key, see your MARUTI SUZUKI dealer as soon as possible to have the lost one

deactivated, then have the new key made by them.

- *If you own other vehicles with immobilizer keys, keep those keys away from the ignition switch when using your vehicle, or the engine may not be started because they may interfere with your vehicle's immobilizer system.*
- *In case of attaching any metal objects to the immobilizer key, it may not start the engine.*

CAUTION

The immobilizer key is a sensitive electronic instrument. To avoid damaging the immobilizer key:

- **Do not expose it to impacts, moisture or high temperature such as by leaving it on the dashboard under direct sunlight.**
- **Keep the immobilizer key away from magnetic objects.**

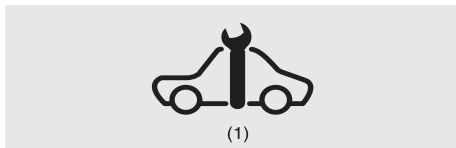
BEFORE DRIVING

55KS0-74E

Immobilizer System (Diesel Engine)

This system is designed to help prevent vehicle theft by electronically disabling the engine starting system.

The engine can be started only with your vehicle's original immobilizer ignition key which has an electronic identification code programmed into it. The key communicates the identification code to the vehicle when the key is turned to the "ON" position. If you need to make spare keys, see your MARUTI SUZUKI dealer. The vehicle must be programmed with the correct identification code for the spare keys. A key made by an ordinary locksmith will not work.



If the immobilizer system light service vehicle soon (SVS) light (1) for diesel engine blinks when the ignition switch is in the "ON" position, there may be something wrong with your key or with the immobilizer system. Ask your MARUTI SUZUKI dealer to inspect the system.

NOTE:

- If you lose your immobilizer ignition key, see your MARUTI SUZUKI dealer as soon as possible to have the lost one deactivated, then have the new key made by them.
- If you own other vehicles with immobilizer keys, keep those keys away from the ignition switch when using your MARUTI SUZUKI, or the engine may not be started because they may interfere with your MARUTI SUZUKI immobilizer system.
- In case of attaching any metal objects to the immobilizer key, it may not start the engine.

Ignition Key Reminder (if equipped)

A buzzer sounds intermittently to remind you to remove the ignition key if it is in the ignition switch when the driver's door is opened.

CAUTION

The immobilizer key is a sensitive electronic instrument. To avoid damaging the immobilizer key:

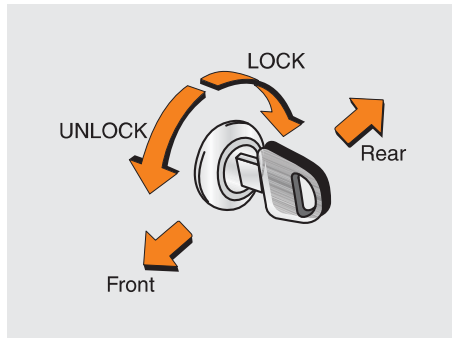
- Do not expose it to impacts, moisture or high temperature such as on the dashboard under direct sunlight.
- Keep the immobilizer key away from magnetic objects.

55KS0-74E

BEFORE DRIVING

Door Locks

Side Door Locks



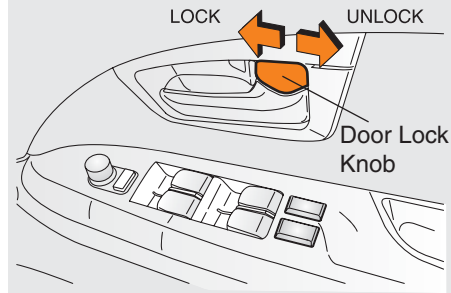
60B008

To lock a front door from outside the vehicle:

- Insert the key and turn the top of the key toward the rear of the vehicle, or
- Turn the lock knob forward and hold the door handle up as you close the door.

To unlock a front door from outside the vehicle, insert the key and turn the top of the key toward the front of the vehicle.

EXAMPLE



55KS003

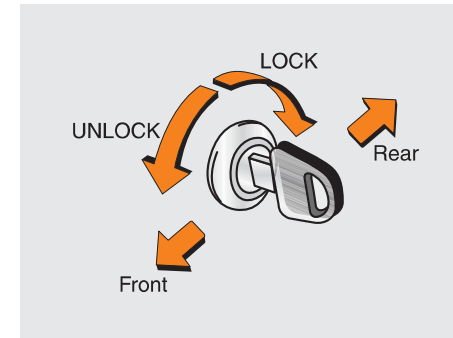
To lock a door from inside the vehicle, turn the lock knob forward. Turn the lock knob rearward to unlock the door.

To lock a rear door from outside the vehicle, turn the lock knob forward and close the door.

NOTE:

Be sure to hold the door handle up when you close a locked front door, or the door will not remain locked.

Central Door Locking System (if equipped)



60B008

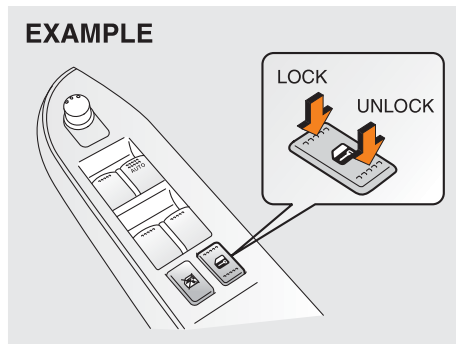
You can lock and unlock all doors (except trunk lid) simultaneously by using the key in the front door locks.

To lock all doors simultaneously, insert the key in the front door lock and turn the top of the key toward the rear of the vehicle once.

To unlock all doors simultaneously, insert the key in a front door lock and turn the top of the key toward the front of the vehicle once.

BEFORE DRIVING

55KS0-74E



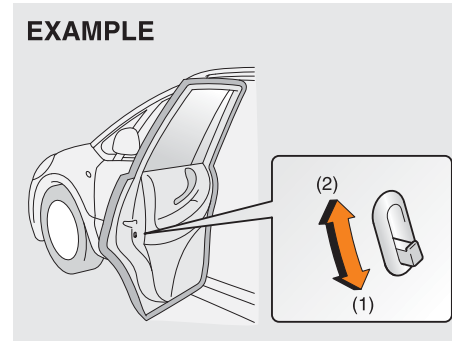
55KS004

You can also lock or unlock all doors (except trunk lid) by depressing the front or rear of the switch respectively.

NOTE:

- Individual doors can also be **UNLOCKED** anytime by using their respective "Door Lock Knob" inside the vehicle.
- If child proof locks are in locked position, rear doors cannot be opened from inside.

Child-Proof Locks (rear side door)



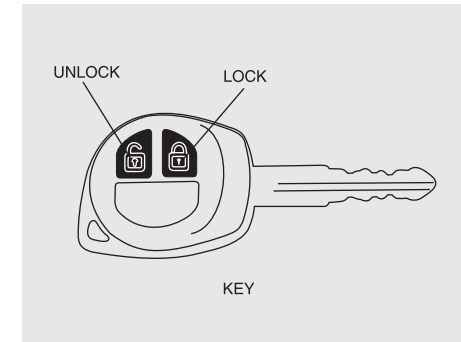
55KS029

As illustrated, a child-proof lock is provided for both rear doors. When the lock lever is in position (1), the child-proof lock is locked, and when in position (2), the child-proof lock is unlocked. When the child-proof lock is in the locked position, the rear door cannot be opened from the inside even if the inside door lock is unlocked but can be opened from the outside.

⚠ WARNING

Be sure to place the child-proof lock in the locked position whenever children are seated in the rear.

Keyless Entry Cum Alarm System (if equipped)



81A184

The Keyless Entry cum Alarm System has two basic functions.

1. Keyless Entry
2. Alarm System

Keyless Entry

You can lock / unlock all doors simultaneously by operating the transmitter near the vehicle.

- To lock all doors, press "LOCK" button once. All indicator lights will flash once when doors are locked.
- To unlock all doors, press the "UNLOCK" button once. All indicator lights will flash twice when doors are unlocked.

55KS0-74E

NOTE:

- The operating distance of the keyless entry system transmitter is about 20 meters, but this may vary depending on the condition of transmitter's battery and surroundings, especially near other transmitting devices such as radio towers.
- The door locks cannot be operated with the transmitter if the ignition key is inserted in the key cylinder or if any door is open.
- When any door is open, the vehicle can not be locked through transmitters. Be sure to close the doors and windows before locking.
- If you lose any of the transmitters/keys, contact your MARUTI SUZUKI Authorized workshop as soon as possible for erasing the transmitter ID from vehicle controller memory. In case you need a new transmitter, place an order with your dealer.

CAUTION

The transmitter is a sensitive electronic instrument. To avoid damaging the transmitter:

- Do not expose it to impacts, moisture, dust or high temperature such as by leaving it on the dashboard under direct sunlight.
- Do not tamper with internal parts.
- Keep the transmitter away from magnetic objects such as a television.

19

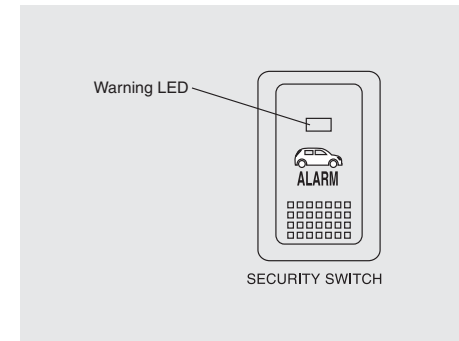
Alarm System

The Alarm System has two basic modes of operation.

VALET MODE

In Valet mode all the Security Alarm features of the system like arm/disarm, trigger are deactivated. In this mode, system will work as a Keyless Entry only. When the vehicle is given for servicing or valet parking, turn the system into Valet mode.

BEFORE DRIVING



ALARM MODE

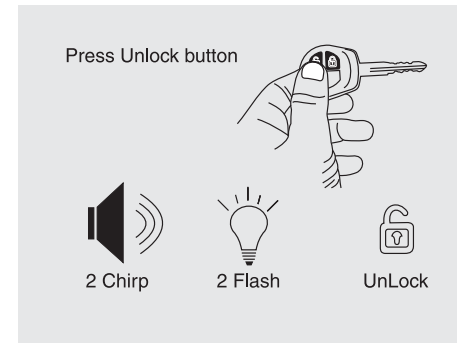
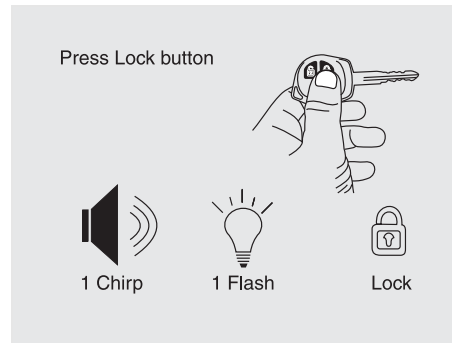
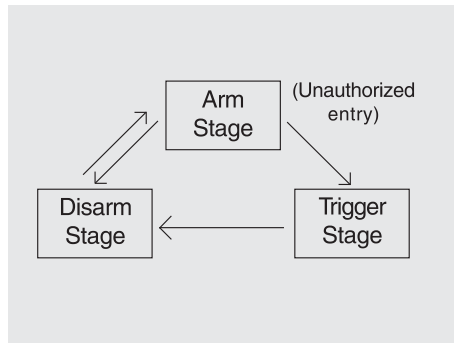
The Alarm mode is designed to protect your vehicle from unauthorised entry. It operates in three stages:

- First : Arm Stage
- Second : Trigger Stage
- Third : Disarm Stage.

1-6

BEFORE DRIVING

55KS0-74E



Arm Stage

In Arm Stage, your vehicle is monitored for any unauthorized entry. In order to arm: press the key LOCK button once:

As response to locking/arming:

- 1) Doors will get locked and vehicle will get armed. This is indicated by one siren chirp & one light flash of all indicator lights.
- 2) Visible theft warning LED on security switch will flash slowly.

NOTE:

1. Three siren chirps and one light flash of all indicator lights will indicate that hood is open. However locking and arming of all doors takes place.

2. Be sure to close the doors and windows before locking/arming the vehicle.

3. System will not Lock/Arm in following conditions:

- (a) If any of doors is open (except Hood).
- (b) If Key is in key cylinder.

Trigger Stage

In the event of any unauthorized entry (without unlocking/disarming) in the vehicle, the alarm triggers and all indicator lights flash. The triggering of the alarm is in two stages. First acting as a warning to the intruder and then full blast drawing the surrounding attention. In order to bring the system to disarm stage, press UNLOCK button on the key or enter the Emergency Pin. (Described in Emergency disarm section)

Disarm Stage

System should be brought in Disarm Mode while you are entering the vehicle. In order to disarm: Press the key UNLOCK button once.

As response to unlocking/disarming:

- 1) Doors will unlock and vehicle will disarm. This is indicated by two siren chirps and two light flashes of all indicator lights.
- 2) Visible theft warning LED on security switch will flash faster than in arm stage indicating Auto rearm (described in auto rearm section)

GENERAL FEATURE

Illuminated Entry

When vehicle is unlocked, the room lamp will turn ON to facilitate illuminated entry into the vehicle. If no door is opened in about 15 seconds of above operation, room lamp will fade out.

If any door is opened after 15 seconds, the room lamp turns ON again and after 15 seconds of closing all doors room lamp will fade out.

If within 15 seconds after closing all the doors the driver inserts the key into the key cylinder, then the room lamp will fade out.

Illuminated Exit

When key is removed from the key cylinder, the room lamp will turn ON to facilitate illuminated exit. If no door is opened in about 15 seconds of key removal from key cylinder, the room lamp will fade out.

When door is opened to exit the vehicle, the room lamp will turn ON again (if it has turned OFF after 15 seconds of key removal from key cylinder) and will turn OFF after 15 seconds of closing all the doors.

If within 15 seconds of all doors closure, vehicle is locked by pressing the LOCK button, the room lamp will fade out.

NOTE: Room lamp will fade out gradually approximately in 2 seconds.

Mute Lock/Unlock

To Arm/Disarm the vehicle without siren chirps use this function.

- Press and release the Key LOCK & UNLOCK buttons simultaneously.
- Press and release Key LOCK or UNLOCK button for desired function.

Example: To Lock / arm the system without the Siren chirp sound, press and release the Key LOCK & UNLOCK button simultaneously, then press the Key LOCK button once.

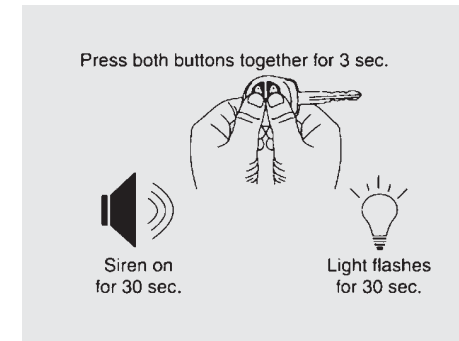
Auto Rearm

In case of accidental Unlock/Disarm of vehicle through transmitter, vehicles will automatically Lock & Arm without any indication, if no door is opened till about 30 seconds.

NOTE : If the vehicle is in Valet Mode, system will only Lock the vehicle.

Radio Frequency Lock Out

Transmitter function Lock/Unlock/Panic will not work when Key is inside key cylinder.



Panic Alarm (Car Locator)

Panic Alarm feature can be used to bring the surrounding attention to the vehicle or to locate the vehicle in congested parking area.

- Press and hold the Key LOCK & UNLOCK button simultaneously for 3 seconds or more.
- Panic alarm will be activated and siren will sound and indicator lights will flash for 30 seconds.
- Press and release the Key LOCK & UNLOCK button simultaneously to cancel the Panic alarm.

BEFORE DRIVING

55KS0-74E

Flashing LED Status

The flashing LED always reflects the status of the system as following.

SYSTEM CONDITION	LED STATUS
Disarmed condition	LED does not glow
Armed condition	Slow Flashes of LED
Auto Arming Condition	Fast Flashes

Intrusion Alert

The system gives a report if it has been intruded in your absence. Four chirps are given when UNLOCK button is pressed after an intrusion.

Diagnostic report	Visual-LED	Sound
Built in shock sensor Triggered	2 Flashes	Four Chirps
Door/Trunk/Hood Intrusion	3 Flashes	Four Chirps
Ignition	5 Flashes	Four Chirps

PROGRAMMABLE FEATURES

Systems have some features which can be programmed by user according to their choice.

Drive Lock Mode

Drive lock mode can be programmed by SPEED LOCK or can be turned OFF. In case drive lock mode is programmed to SPEED LOCK, all the vehicle doors will lock when vehicle attains the speed of 20 Km/hr.

NOTE:

In case of SPEED LOCK mode, if any door is opened while driving, it will get cancelled. Once vehicle speed crosses 20 Km/hr, the LED on security switch will blink for 5 seconds as indication of door open.

Drive Unlock Mode

Drive unlock can be programmed by Key or can be turned OFF. When programmed to Key, turning Ignition ON-OFF, then removing the key from the key cylinder will unlock all the doors. In case if drive unlock is programmed to OFF then no door will unlock by removing key from key cylinder.

Siren Chirp ON/OFF feature

Siren Chirps can be programmed to ON or OFF. When siren chirp feature is disabled, siren will not chirp after Arm/Disarm by LOCK/UNLOCK button.

Shock Sensor feature

This is a very important feature of security system. It enables protection of your vehicle against any major impact. If anybody tries to intrude into the vehicle, the alarm triggers. The triggering of the alarm is in two stages, first acting as a warning to the intruder and then at full blast. The sensitivity of shock sensor can be adjusted as desired by the user.

PROCEDURE TO PROGRAM FEATURE

No.	Feature	1 Chirp	2 Chirps	Default
1.	Drive Lock Mode	Speed	OFF	Speed
2.	Drive Unlock Mode	Key	OFF	Key
3.	Siren chirp ON/OFF	ON	OFF	ON
4.	Shock Sensor ON/OFF	ON	OFF	ON

Programming Drive Lock Mode

- a) Open the Driver Door of your vehicle.
- b) With your vehicle key in the Key cylinder, turn Ignition ON and then switch it OFF.
- c) Press and release the Security switch One time.
- d) Press and hold the Security switch.
- e) One chirp sound confirms entry into Drive Lock programming mode.
- f) Press the Key LOCK button (while holding the Security switch), a single chirp sound confirms mode changed to speed lock.
- g) Two-Siren chirp sound confirms Drive lock mode OFF.
- h) Release the Security switch.
- i) Turn the Ignition ON.

Programming Drive Unlock Mode

- a) Open the Driver Door of your vehicle.
- b) With your vehicle key in the Key cylinder, turn Ignition ON and then switch it OFF.
- c) Press and release the Security switch two times.
- d) Press and hold the Security switch.
- e) Two-chirp sound confirms entry into Drive unlock programming mode.
- f) Press the Key Lock button (while holding the Security switch), a single chirp sound confirms the mode changed to key Unlock.
- g) Two-siren chirp sound confirms the mode changed to Drive Unlock mode OFF.
- h) Release the Security switch.
- i) Turn the Ignition ON.

Programming Siren Chirp ON/OFF

- a) Open the Driver Door of your vehicle.
- b) With your vehicle key in the Key cylinder, turn Ignition ON and then switch it OFF.
- c) Press and release the Security switch Three times.
- d) Press and hold the Security switch.
- e) Three-chirp sound confirms entry into Siren Chirp ON/OFF programming mode.
- f) Press the Key Lock button (while holding the Security switch), a single chirp sound confirms the mode changed to Siren Chirp ON.
- g) Two-Siren chirp sound confirms the mode changed to Siren Chirp OFF.
- h) Release the Security switch.
- i) Turn the Ignition ON.

BEFORE DRIVING

55KS0-74E

Programming Shock Sensor ON/OFF

- a) Open the Driver Door of your vehicle.
- b) With your vehicle key in the Key cylinder, turn Ignition ON and then switch it OFF.
- c) Press and release the Security switch Four times.
- d) Press and hold the Security switch.
- e) Four-chirp sound confirms entry into Shock Sensor ON/OFF programming mode.
- f) Press the Key Lock button (while holding the Security switch), a single chirp sound confirms the mode changed to shock sensor ON.
- g) Two-Siren chirp sound confirms the mode changed to shock sensor OFF.
- h) Release the Security switch.
- i) Turn the Ignition ON.

Shock Sensor Sensitivity Adjustment via Key

Full Blast Adjustment

Full Blast can be adjusted in 16 levels as mentioned below.

- a) Press UNLOCK button on Key to Unlock/ Disarm the System.
- b) Press LOCK button on Key to Lock/Arm the System.
- c) Within 5 seconds press LOCK & UNLOCK button simultaneously for at least 2 seconds Siren will give long chirp to confirm entry into sensitivity Adjustment mode.
 - i) Press Key LOCK button to adjust the sensitivity one step lower. Siren will give one chirp every time LOCK button is pressed till at level 1 where it will give a long chirp. When adjust to level 1, Full Blast will turn OFF
 - ii) Press Key UNLOCK button to adjust the sensitivity one step higher. Siren will give two chirps every time UNLOCK button is pressed till at level 16 where it will give a long chirp.

Pre-warn Adjustment

Pre-warn can be adjusted in 16 levels as mentioned below:

- a) Press LOCK button on Key to Lock/Arm the System
- b) Press UNLOCK button on Key to UNLOCK/ Disarm the System
- c) Within 5 seconds press LOCK & UNLOCK button simultaneously for at least 2 seconds Siren will give Long chirp to confirm entry into Sensitivity Adjustment Mode.
 - i) Press LOCK button to adjust the sensitivity one step lower. Siren will give one chirp every time LOCK button is pressed till at level 1 where it will give a long chirp. When adjusts to level 1, prewarn will turn OFF.
 - ii) Press UNLOCK button to adjust the sensitivity one step higher. Siren will give two chirps every time UNLOCK button is pressed till at level 16 where it will give a long chirp.

Mode Programming (Valet/Alarm)

The valet mode can be programmed as follows:

- i) Close the driver door.
- ii) Turn Ignition ON-OFF quickly.
- iii) Press and hold Security switch for 3 seconds minimum.
- iv) Change to valet mode is confirmed by LED ON for 1 minute.

The alarm mode can be programmed as follows:

Repeat step (i)-(iii) to program the system to alarm mode.

Change to Alarm mode will be confirmed by one long siren chirp and LED OFF.

Program Customer Pincode (Personalised Pincode)

The Personalised 4-digit number can be changed from the factory default to ensure Personalised Security.

Pin code entry

- a) Disarm the system.
- b) Open the Driver Door.
- c) Turn Ignition ON then OFF.
- d) Within 5 seconds press and release security switch 5 times. A short chirp followed by long chirps confirms entry into Pin Code programming mode.
- e) Press LOCK button on Key, after a single chirp enter the First digit (within 1-9) by pressing security switch (for e.g. to enter 2 press and release security switch two times).
- f) Press LOCK button on Key, after two chirps enter the Second digit (within 1-9) by pressing security switch.
- g) Press LOCK button on Key, after 3 chirps enter the Third digit (within 1-9) by pressing security switch.
- h) Press LOCK button on Key, after 4 chirps enter the Fourth digit (within 1-9) by pressing security switch.

Emergency Disarm by personalised pin code

The Personalised 4- Digit Pin Code acts as a secret Key, to Emergency Disarm the vehicle.

- a) Turn the Ignition ON, OFF and then ON.
- b) Enter the First digit (for e. g. to enter 2 press and release security switch twice)
- c) Turn the Ignition OFF then ON.
- d) Enter the Second digit.
- e) Turn the Ignition OFF and then ON.
- f) Enter the third Digit.
- g) Turn the Ignition OFF and then ON
- h) Enter the Last Digit.
- i) Turn the Ignition OFF and then ON.

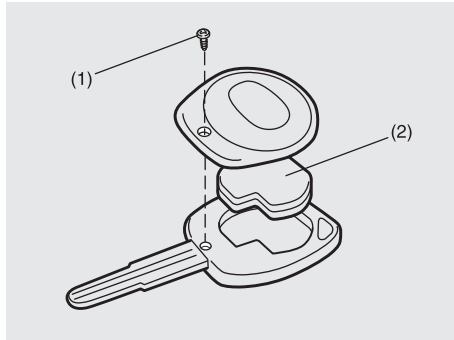
The vehicle will get disarmed.

Note: The default pin will be provided by the dealer at the time of delivery. It is recommended to personalize the pin for increased security. The pin must be remembered as it is not possible to retrieve a lost pin.

BEFORE DRIVING

55KS0-74E

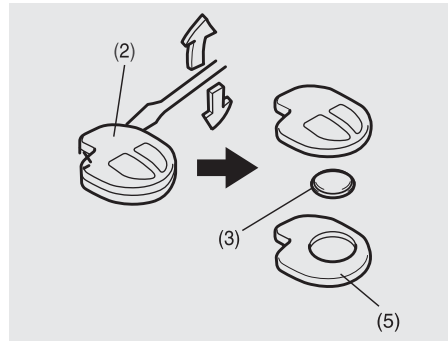
**Transmitter battery
Replacement of the Battery**



If the transmitter battery gets discharged, replace the battery with a new one.

To replace the battery of the transmitter:

- 1) Remove the screw (1), and open the transmitter cover.
- 2) Remove the transmitter (2).
- 3) Put the edge of a flat blade screw driver in the slot of the transmitter (2) and pry it open.
- 4) Replace the battery (3) (Lithium disc type CR1620) so that its +ve terminal faces the bottom cover of the transmitter (5).



- 5) Close the transmitter and install it into the transmitter holder.
- 6) Close the transmitter cover, install and tighten the screw (1).
- 7) Make sure the door locks can be operated with the transmitter.

Note: Normal battery life is approximately 2 years, but varies depending on usage. It is advisable to get battery replaced from MARUTI SUZUKI Authorized workshop.

CAUTION

Do not remove the screw from the key unnecessarily as it damages the screw head. Kindly replace the screw once the transmitter battery is changed.



CAUTION

Dispose off the used battery properly according to applicable rules or regulations. Do not dispose off lithium batteries with ordinary household trash.

⚠ WARNING

Swallowing a lithium battery may cause serious internal injury. Do not allow anyone to swallow a lithium battery. Keep lithium batteries away from children and pets. If swallowed, contact a physician immediately.

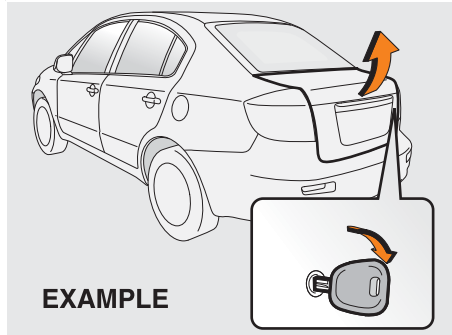
TROUBLESHOOTING

SYMPTOMS	PROBABLE CAUSES	REMEDIES
Transmitter function (Unlock/Lock/Panic)not working	<ol style="list-style-type: none"> 1. Battery of the transmitter is weak. 2. Transmitter is exposed to water or it is wet. 3. D/L or Dome fuse for controller is blown in the vehicle. 4. In case if any door is open or door sensor is shorted with the body ground, remote will not activate the central locking/ alarm system. 	<ol style="list-style-type: none"> 1. Check the battery. 2. Dry the transmitter and check it. 3. Check and replace the D/L or Dome fuse. 4. Check if all doors are properly closed and door switch functioning is O.K.
Operation distance of the transmitter is less than 20m but still transmitter (Unlock/Lock/Panic) is not working	<ol style="list-style-type: none"> 1. Battery of the transmitter is weak. 2. Strong RF interference. (e.g. Radio Towers, High Voltage Transmission line near by) 	<ol style="list-style-type: none"> 1. Check the battery. 2. Drive the vehicle away from the particular spot and re-test the control distance.
It is difficult to activate or deactivate the system in certain area using the transmitter.	<ol style="list-style-type: none"> 1. The strong interference caused by excessive RF activity in a particular area 	<ol style="list-style-type: none"> 1. The interference is temporary and only while the vehicle is in that area.
Alarm is not triggered even if any door(s)/ hood/trunk opened in arm stage.	<ol style="list-style-type: none"> 1. The contact point of the hood or door (s) or trunk switch is faulty. 2. The connection of the hood or door(s) or trunk switch is loose. 	<ol style="list-style-type: none"> 1. Replace the defective Switch. 2. Make proper connection.
Siren does not sound when alarm is triggered.	<ol style="list-style-type: none"> 1. The connection of the siren wire is loose. 2. Siren is faulty. 	<ol style="list-style-type: none"> 1. Make proper connection. 2. Change the siren.

BEFORE DRIVING

55KS0-74E

Trunk Lid



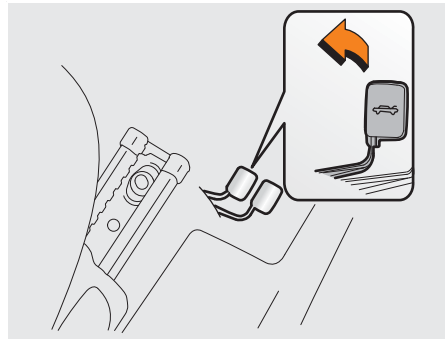
EXAMPLE

55KS005

The vehicle is equipped with a trunk lid keylock. You can open the trunk lid by using the key in the trunk lid lock. To open the trunk lid, insert the key and turn it clockwise to unlatch and lift the trunk lid.

⚠ WARNING

Always make sure that the trunk lid is fully opened before using the luggage compartment.



55KS006

You can unlock the lid by pulling the release lever located to the outboard side of the driver's seat.

⚠ WARNING

Always make sure that the trunk lid is closed and latched securely.

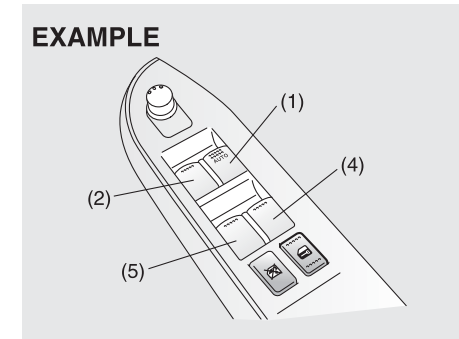
Windows

Electric Window Controls (if equipped)

The electric windows can only be operated when the ignition switch is in the "ON" position.

Driver's side

EXAMPLE



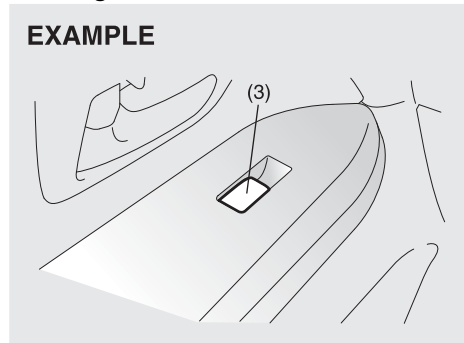
55KS007

The driver's door has a switch (1) to operate the driver's window, and a switch (2) to operate the front passenger's window or there are switches (4), (5), to operate the rear left and right passenger windows, respectively.

55KS0-74E

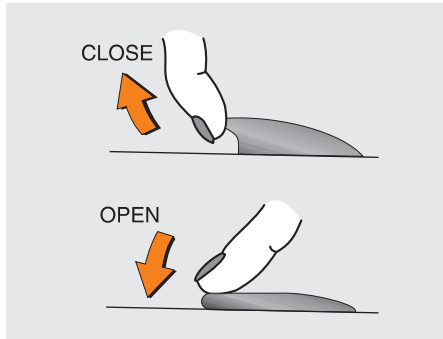
BEFORE DRIVING

Passenger's door



55KS008

The passenger's door has a switch (3) to operate the passenger's window.

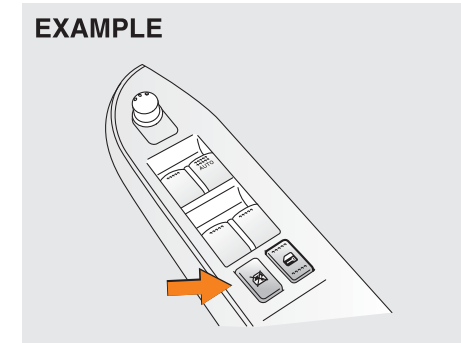


81A009

To open a window, push the top part of the switch and to close the window lift up the top part of the switch.

The driver's window has an "auto-down" feature for added convenience (at toll booths or drive-through restaurants, for example). This means you can open the window without holding the window switch in the "Down" position. Press the driver's window switch completely down and release it. To stop the window before it reaches the bottom, pull the switch up briefly.

Lock switch



55KS009

The driver's door also has a lock switch for the passenger's window(s). When you push in the lock switch, the passenger's window(s) can not be raised or lowered by operating any of the switches (2), (3), (4) or (5). To restore normal operation, release the lock switch by pushing again.

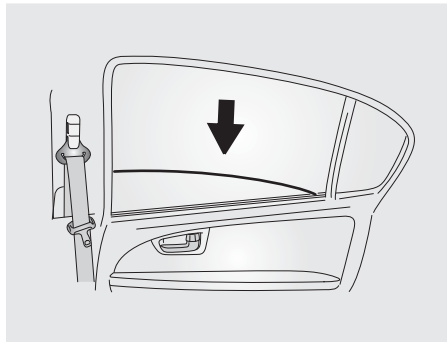
BEFORE DRIVING

55KS0-74E

⚠ WARNING

- You should always lock the passenger's window operation when there are children in the vehicle. Children can be seriously injured if they get part of their body caught by the window during operation.
- To avoid injuring an occupant by window entrapment, be sure no part of the occupant's body such as hands or head is in the path of the electric windows when closing them.
- Always remove the ignition key when leaving the vehicle even if a short time. Also do not leave children alone in a parked vehicle. Unattended children could use the electric window switches and get trapped by the window.

NOTE:
If you drive with one of the rear windows open, you may hear a loud sound caused by air vibration. To reduce the sound, open the driver's or front passenger's window, or narrow the rear window opening.

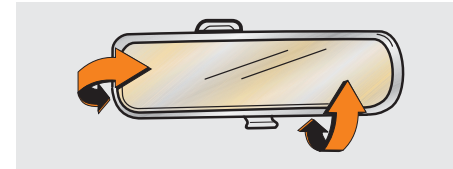


55KS033

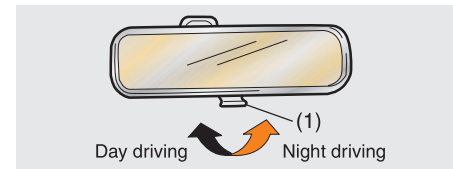
NOTE:
The rear side door windows are not designed to open fully. They can be opened about 2/3 of the way down.

Mirrors

Inside Rearview Mirror (if equipped)



65D410



65D409

You can adjust the inside rearview mirror by hand so as to see the rear of your vehicle in the mirror. To adjust the mirror, set the selector tab (1) to the day position, then move the mirror up, down or sideways by hand to obtain the best view.

When driving at night, you can move the selector tab to the night position to reduce glare from the headlights of vehicles behind you.

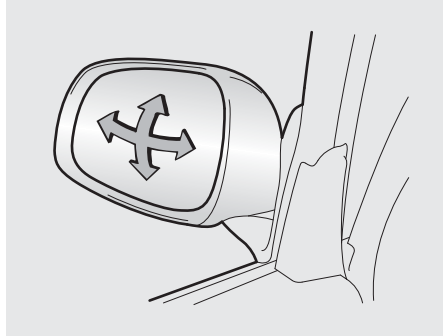
55KS0-74E

BEFORE DRIVING

⚠ WARNING

- Always adjust the mirror with the selector set to the day position.
- Only use the night position if it is necessary to reduce glare from the headlights of vehicles behind you. Be aware that in this position you may not be able to see some objects that could be seen in the day position.

Outside Rearview Mirrors



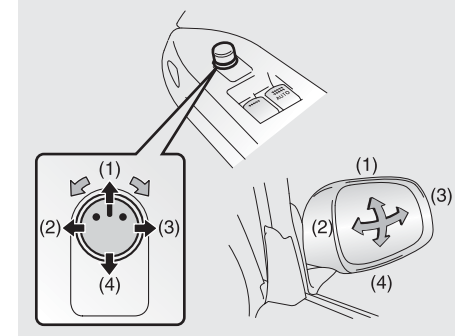
79J033

Adjust the outside rearview mirrors so you can just see the side of your vehicle in the mirrors.

⚠ WARNING

Be careful when judging the size or distance of a vehicle or other object seen in the side convex mirror. Be aware that objects look smaller and appear farther away than when seen in a flat mirror.

Electric Mirrors (if equipped)



55KS010

The switch to control the electric mirrors is located on the driver's door panel. You can adjust the mirrors when the ignition switch is in the "ACC" or "ON" position. To adjust the mirrors:

- 1) Move the selector switch to the left or right to select the mirror you wish to adjust.
- 2) Press the outer part of the switch that corresponds to the direction in which you wish to move the mirror.
- 3) Return the selector switch to the center position to help prevent unintended adjustment.

BEFORE DRIVING

55KS0-74E

Seat Adjustment

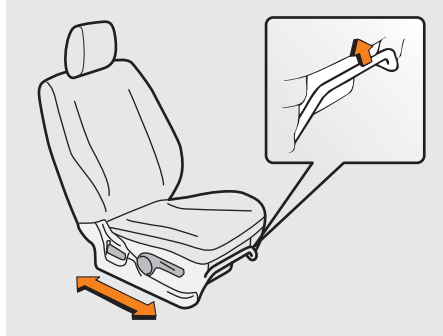
⚠ WARNING

Never attempt to adjust the driver's seat or seatback while driving. The seat or seatback could move unexpectedly, causing loss of control. Make sure that the driver's seat and seatback are properly adjusted before you start driving.

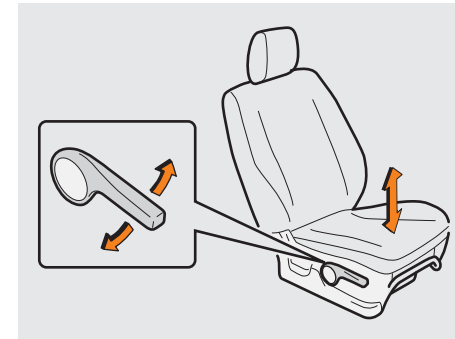
⚠ WARNING

To avoid excessive seat belt slack, which reduces the effectiveness of the seat belts as a safety device, make sure that the seats are adjusted before the seat belts are fastened.

Adjusting Seat Position



The adjustment lever for each front seat is located under the front of the seat. To adjust the seat position, pull up on the adjustment lever and slide the seat forward or rearward. After adjustment, try to move the seat forward and rearward to ensure that it is securely latched.



If the driver's seat is equipped with a seat height adjuster lever on the outboard side of the seat, raise or lower the seat by pulling up or down the adjuster lever.

55KS0-74E

BEFORE DRIVING

Adjusting Seatbacks

⚠ WARNING

All seatbacks should always be in an upright position when driving, or seat belt effectiveness may be reduced. Seat belts are designed to offer maximum protection when seatbacks are in the upright position.



55KS013

To adjust the seatback angle of front seats, pull up the lever on the outboard side of the seat, move the seatback to the desired position, and release the lever to lock the seatback in place.

Adjustable Head Restraints (if equipped)



80J001

Head restraints are designed to help reduce the risk of neck injuries in the case of an accident. Adjust the head restraint to the position which places the center of the head restraint closest to the top of your ears. If this is not possible for very tall passengers, adjust the head restraint as high as possible.

⚠ WARNING

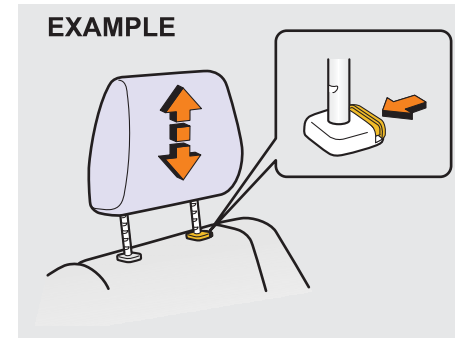
- Never drive the vehicle with the head restraints removed.
- Do not attempt to adjust the head restraint while driving.

NOTE:

It may be necessary to recline the seatback to provide enough overhead clearance to remove the head restraint.

Front

EXAMPLE



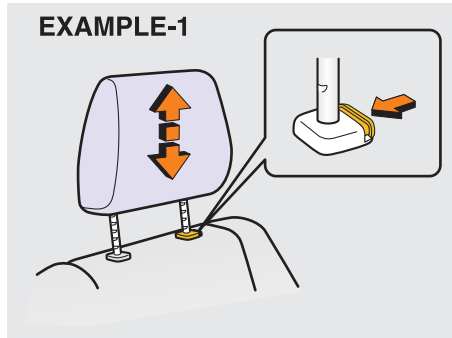
63J015

To raise the front head restraint, pull upward on the restraint until it clicks. To lower the restraint, push down on the restraint while holding in the lock lever. If a head restraint must be removed (for cleaning, replacement, etc.), push in the lock lever and pull the head restraint all the way out.

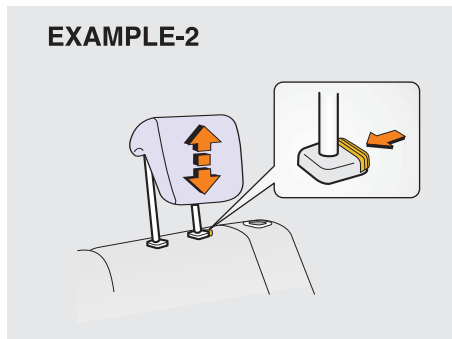
BEFORE DRIVING

55KS0-74E

Rear (if equipped)



63J135

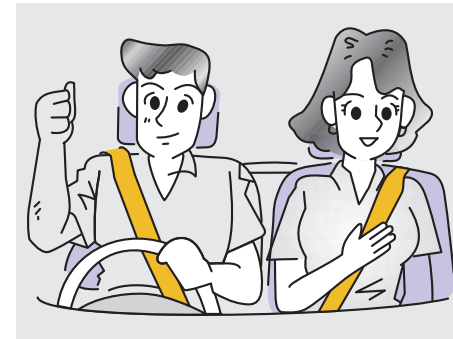


NOTE:
Usage of Head restraint (Example 2) in lower most position is not advisable.

To raise the rear head restraint, pull upward on the restraint until it clicks. To lower the restraint, push down on the restraint while holding in the lock lever. If a head restraint must be removed (for cleaning, replacement, etc.), push in the lock lever and pull the head restraint all the way out.

When installing a child restraint system, raise the head restraint to the most upper position.

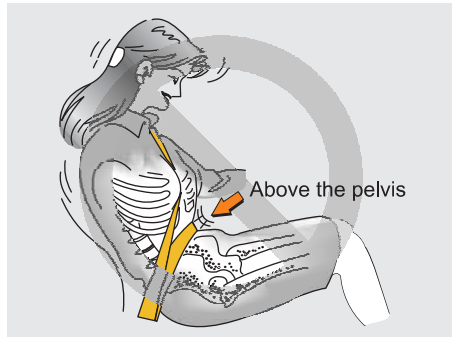
Seat Belts and Child Restraint Systems



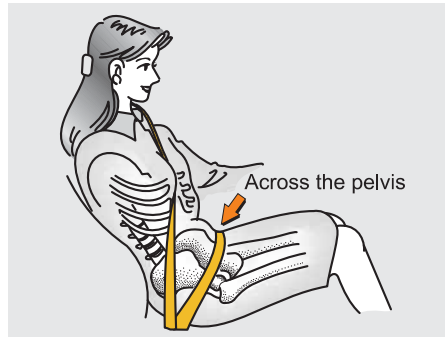
65D231S

⚠ WARNING
Wear Your Seat Belts at All Times.

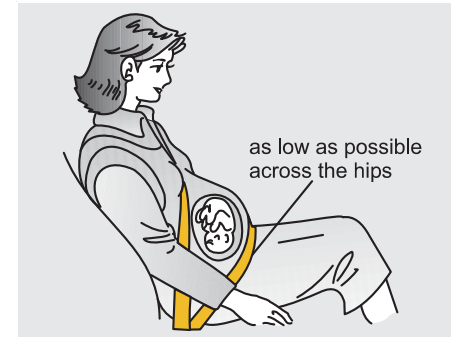
⚠ WARNING
An air bag supplements, or adds to, the frontal crash protection offered by seat belts. The driver and all passengers must be properly restrained by wearing seat belts at all times, whether or not an air bag is mounted at their seating position, to minimize the risk of severe injury or death in the event of a crash.



65D606



65D201



65D199

⚠ WARNING

- Never allow persons to ride in the cargo area of a vehicle. In the event of an accident, there is a much greater risk of injury for persons who are not riding in a seat with their seat belt securely fastened.
- Seat belts should always be adjusted as follows:
 - the lap portion of the belt should be worn low across the pelvis, not across the waist.
 - the shoulder straps should be worn on the outside shoulder only, and never under the arm.
 - the shoulder straps should be away from your face and neck, but not falling off your shoulder.

(Continued)

⚠ WARNING

- (Continued)
- Seat belts should never be worn with the straps twisted and should be adjusted as tightly as is comfortable to provide the protection for which they have been designed. A slack belt will provide less protection than one which is snug.
 - Make sure that each seat belt buckle is inserted into the proper buckle catch. It is possible to cross the buckles in the rear seat.

(Continued)

⚠ WARNING

- (Continued)
- Pregnant women should use seat belts, although specific recommendations about driving should be made by the woman's medical advisor. Remember that the lap portion of the belt should be worn as low as possible across the hips, as shown in the diagram.
 - Do not wear your seat belt over hard or breakable objects in your pockets or on your clothing. If an accident occurs, objects such as glasses, pens, etc. under the seat belt can cause injury.

(Continued)

⚠ WARNING

(Continued)

- **Never use the same seat belt on more than one occupant and never attach a seat belt over an infant or child being held on an occupant's lap. Such seat belt use could cause serious injury in the event of an accident.**
- **Periodically inspect seat belt assemblies for excessive wear and damage. Seat belts should be replaced if webbing becomes frayed, contaminated, or damaged in any way. It is essential to replace the entire seat belt assembly after it has been worn in a severe impact, even if damage to the assembly is not obvious.**
- **Children age 12 and under should ride properly restrained in the rear seat.**
- **Infants and small children should never be transported unless they are properly restrained. Restraint systems for infants and small children can be purchased locally and should be used. Make sure that the system you purchase meets applicable safety standards. Read and follow all the directions provided by the manufacturer.**

(Continued)

⚠ WARNING

(Continued)

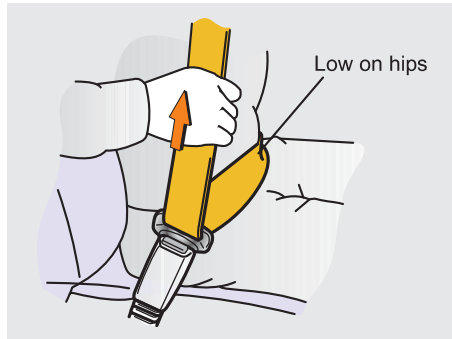
- **Avoid contamination of seat belt webbing by polishes, oils, chemicals, and particularly battery acid. Cleaning may safely be carried out using mild soap and water.**
- **For children, if the shoulder belt irritates the neck or face, move the child closer to the center of the vehicle.**
- **All seatbacks should always be in an upright position when driving, or seat belt effectiveness may be reduced. Seat belts are designed to offer maximum protection when seatbacks are in the upright position.**

Lap-Shoulder Belt (if equipped)**Emergency Locking Retractor (ELR) (if equipped)**

The seat belt has an emergency locking retractor (ELR), which is designed to lock the seat belt only during a sudden stop or impact. It also may lock if you pull the belt across your body very quickly. If this happens, let the belt go back to unlock it, then pull the belt across your body more slowly.

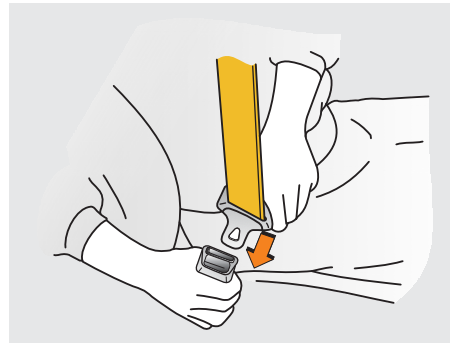
Safety reminder

60A038

All Seat Belts Except Rear Center

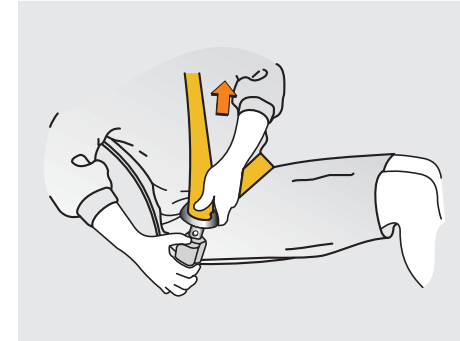
60A040

To reduce the risk of sliding under the belt during a collision, position the lap portion of the belt across your lap as low on your hips as possible and adjust it to a snug fit by pulling the shoulder portion of the belt upward through the latch plate. The length of the diagonal shoulder strap adjusts itself to allow freedom of movement.



60A036

To fasten the seat belt, sit up straight and well back in the seat, pull the latch plate attached to the seat belt across your body and press it into the buckle until you hear a "click".



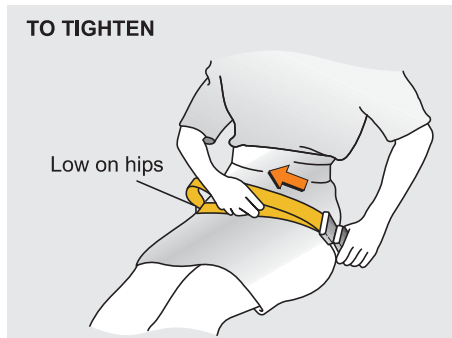
60A039

To unfasten the belt, push the red "PRESS" button on the buckle and allow the belt to retract.

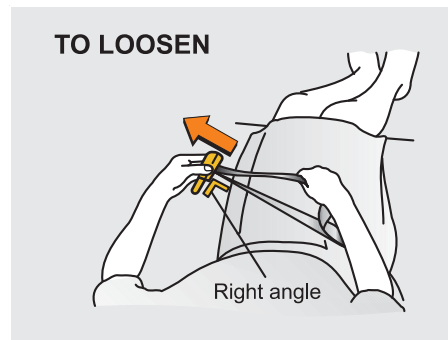
BEFORE DRIVING

55KS0-74E

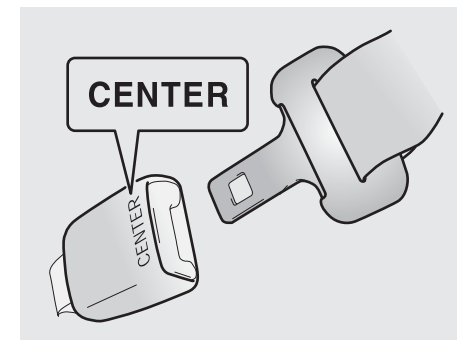
Rear Center Seat Belt Lap belt



Sit up straight and well back in the seat. To fasten the belt, pull the latch plate attached to the seat belt across your hips and press it into the buckle until you hear a “click”. To reduce the risk of sliding under the belt during a collision, position the belt across your lap as low on your hips as possible and adjust it to a snug fit. To tighten the belt, pull the free end of the belt across alongside the lap strap.

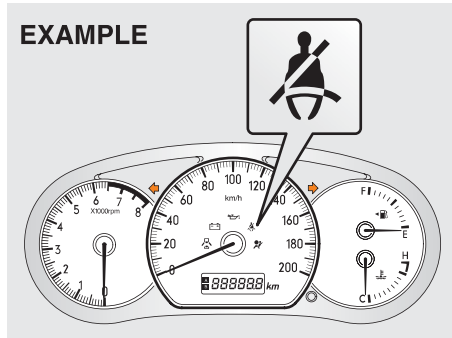


To lengthen, release the latch plate from the buckle, pull the latch plate (adjuster) in the direction of the arrow, at right angles to the belt. The latch plate should then be refitted into the buckle and the belt tightened as previously described.



NOTE:
The word “CENTER” is molded into the buckle for the rear center belt. The buckles are designed so a latch plate can not be inserted into the wrong buckle.

Driver's Seat Belt Reminder



55KS034

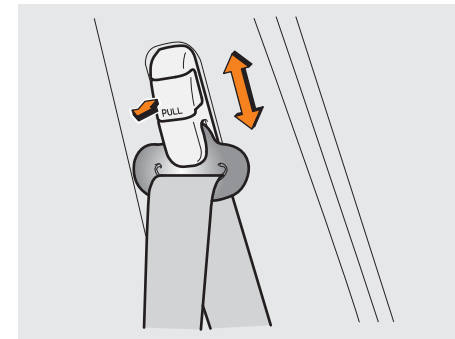
When the driver doesn't buckle his or her seat belt with the ignition switch in the "ON" position, the driver's seat belt reminder light in the instrument cluster will blink until the driver's seat belt is buckled.

The reminder will be automatically canceled when the driver's seat belt is buckled or the ignition switch is turned off.

⚠ WARNING

It is absolutely essential that the driver and passengers wear their seat belts at all times. Persons who are not wearing seat belts have a much greater risk of injury if an accident occurs. Make a regular habit of buckling your seat belt before putting the key in the ignition.

Shoulder Anchor Height Adjuster (if equipped)



64J198

Adjust the shoulder anchor height so that the shoulder belt rides on the center of the outboard shoulder. To adjust the shoulder anchor height, slide the anchor up or down while pulling the lock knob out. After adjustment, make sure that the anchor is securely locked.

⚠ WARNING

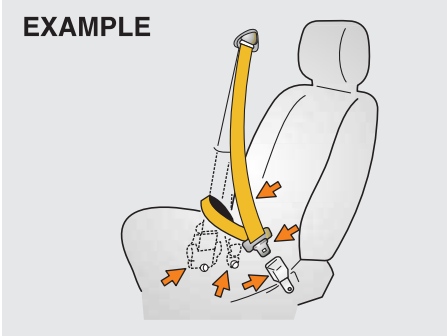
Be sure that the shoulder belt is positioned on the center of the outside shoulder. The belt should be away from your face and neck, but not falling off your shoulder. Misadjustment of the belt could reduce the effectiveness of the safety belt in a crash.

BEFORE DRIVING

55KS0-74E

Seat Belt Inspection

EXAMPLE



65D209S

Periodically inspect the seat belts to make sure they work properly and are not damaged. Check the webbing, buckles, latch plates, retractors, anchorages, and guide loops. Replace any seat belts which do not work properly or are damaged.

⚠ WARNING

Be sure to inspect all seat belt assemblies after any collision. Any seat belt assembly which was in use during a collision (other than a very minor one) should be replaced, even if damage to the assembly is not obvious. Any seat belt assembly which was not in use during a collision should be replaced if it does not function properly, it is damaged in any way or the seat belt pretensioners were activated (that is, if the front air bags were activated).

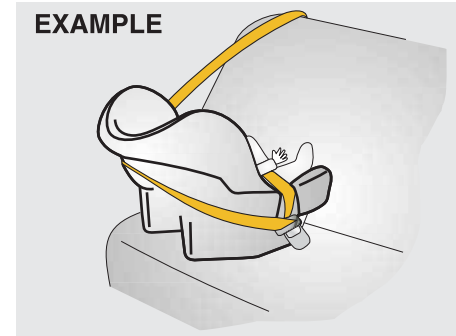
Child Restraint Systems



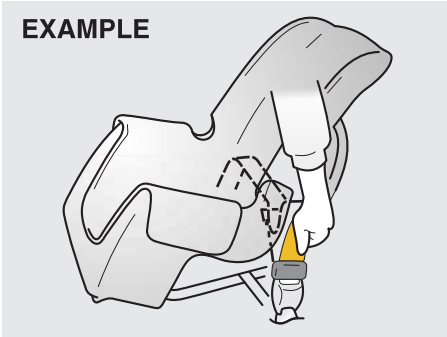
60G332S

Infant restraint - rear seat only

EXAMPLE



65D584

Child restraint**EXAMPLE**

65D197

Booster seat**EXAMPLE**

65D203

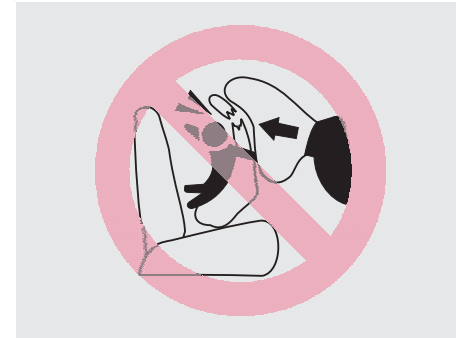
MARUTI SUZUKI highly recommends that you use a child restraint system to restrain infants and small children. Many different types of child restraint systems are available; make sure that the restraint system you select meets applicable safety standards.

All child restraint systems are designed to be secured in vehicle seats by either seat belts (lap belts or the lap portion of lap-shoulder belts) or by special rigid lower anchor bars built into the seat. Whenever possible, MARUTI SUZUKI recommends that child restraint systems be installed on the rear seat. According to accident statistics, children are safer when properly restrained in rear seating positions than in front seating positions.

If you must use a front-facing child restraint in the front passenger's seat, adjust the passenger's seat as far back as possible.

NOTE:

Observe any statutory regulation about child restraints.



65D607

⚠ WARNING

If your vehicle is equipped with a front passenger air bag, do not install a rear-facing child restraint in the front passenger's seat. If the passenger's air bag inflates, a child in a rear-facing child restraint could be killed or seriously injured. The back of a rear-facing child restraint would be too close to the inflating air bag.

⚠ WARNING

If you install a child restraint system in the rear seat, slide the front seat for enough forward so that the child's feet do not contact the front seat-back. This will help avoid injury to the child in the event of an accident.

BEFORE DRIVING

55KS0-74E



65D608



65D609

⚠ WARNING

Children could be endangered in a crash if their child restraints are not properly secured in the vehicle. When installing a child restraint system, be sure to follow the instructions below. Be sure to secure the child in the restraint system according to the manufacturer's instructions.

⚠ WARNING

If your vehicle is equipped with front air bags, do not install a child restraint in the front passenger's seat. If the passenger's side air bag inflates, a child in a child restraint could be severely injured.

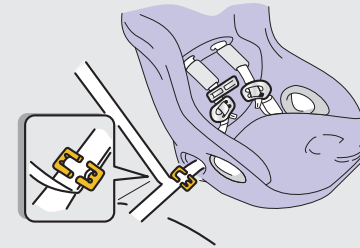
⚠ WARNING

In an accident or sudden stop, the rear seat armrest (if equipped) could fall forward. If there is a child in a rear-facing child restraint in the rear center seating position, the falling armrest could injure the child. Do not install a rear-facing child restraint in the rear center seating position.

Installation with Lap-Shoulder Seat Belts

ELR type belt

EXAMPLE



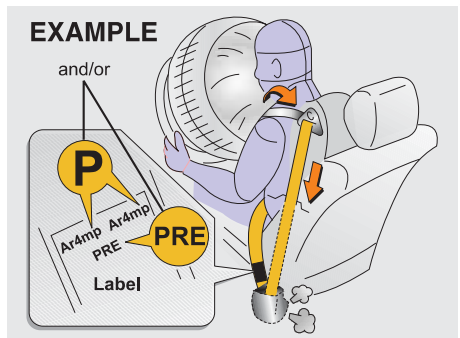
65D233

Install your child restraint system according to the instructions provided by the child restraint system manufacturer.

Make sure that the seat belt is securely latched.

Try to move the child restraint system in all directions, to make sure it is securely installed.

Seat Belt Pretensioner System (if equipped)



65D205

⚠ WARNING

This section of the owner's manual describes your vehicle's SEAT BELT PRETENSIONER SYSTEM. Please read and follow ALL these instructions carefully to minimize your risk of severe injury or death.

To determine if your vehicle is equipped with a seat belt pretensioner system at the front seating positions, check the label on the front seat belt at the bottom part. If the letters "p" and/or "PRE" appear as illustrated, your vehicle is equipped with the seat belt pretensioner system. You can use the pretensioner seat belts in the same manner as ordinary seat belts.

43

Read this section and the "Supplemental Restraint System (air bags)" section to learn more about the pretensioner system.

The seat belt pretensioner system works with the SUPPLEMENTAL RESTRAINT SYSTEM (Air Bags). The crash sensors and the electronic controller of the air bag system also control the seat belt pretensioners. When the air bags are triggered, the pretensioners are also triggered. For precautions and general information including servicing the pretensioner system, refer to the "Supplemental Restraint System (air bags)" section in addition to this "Seat Belt Pretensioner System" section, and follow all those precautions.

The pretensioner is located in each front seat belt retractor. The pretensioner tightens the seat belt so the belt fits the occupant's body more snugly in the event of a frontal crash. The retractors will remain locked after the pretensioners are activated. Upon activation, some noise will occur and some smoke may be released. These conditions are not harmful and do not indicate a fire in the vehicle.

The driver and all passengers must be properly restrained by wearing seat belts at all times, whether or not a pretensioner is equipped at their seating position, to minimize the risk of severe injury or death in the event of a crash.

Sit fully back in the seat; sit up straight; do not lean forward or sideways. Adjust the belt so the lap portion of the belt is worn low across the pelvis, not across the waist. Please refer to the "Seat Adjustment" section and the instructions and precautions about the seat belts in this "Seat Belts and Child Restraint Systems" section for details on proper seat and seat belt adjustments.

Please note that the pretensioners along with the air bags will activate only in severe frontal collisions. They are not designed to activate in rear impacts, side impacts, roll-overs, or minor frontal collisions. The pretensioners can be activated only once. If the pretensioners are activated (that is, if the air bags are activated), have the pretensioner system serviced by a MARUTI SUZUKI authorized dealer as soon as possible.

If the "AIR BAG" light on the instrument cluster does not blink or come on briefly when the ignition switch is turned to the "ON" position, stays on for more than 10 seconds, or comes on while driving, the pretensioner system or the air bag system may not work properly. Have both systems inspected by a MARUTI SUZUKI authorized dealer as soon as possible.

1-30

BEFORE DRIVING

55KS0-74E

Service on or around the pretensioner system components or wiring must be performed only by an MARUTI SUZUKI authorized dealer who is specially trained. Improper service could result in unintended activation of pretensioners or could render the pretensioner inoperative. Either of these two conditions may result in personal injury.

To prevent damage or unintended activation of the pretensioners, be sure the battery is disconnected and the ignition switch has been in the "LOCK" position for at least 90 seconds before performing any electrical service work on your vehicle.

Do not touch pretensioner system components or wiring. The wires are wrapped with yellow tape or yellow tubing, and the couplers are yellow. When scrapping your vehicle, ask your MARUTI SUZUKI dealer, body repair shop, or scrap yard for assistance.

Supplemental Restraint System (air bags) (if equipped)

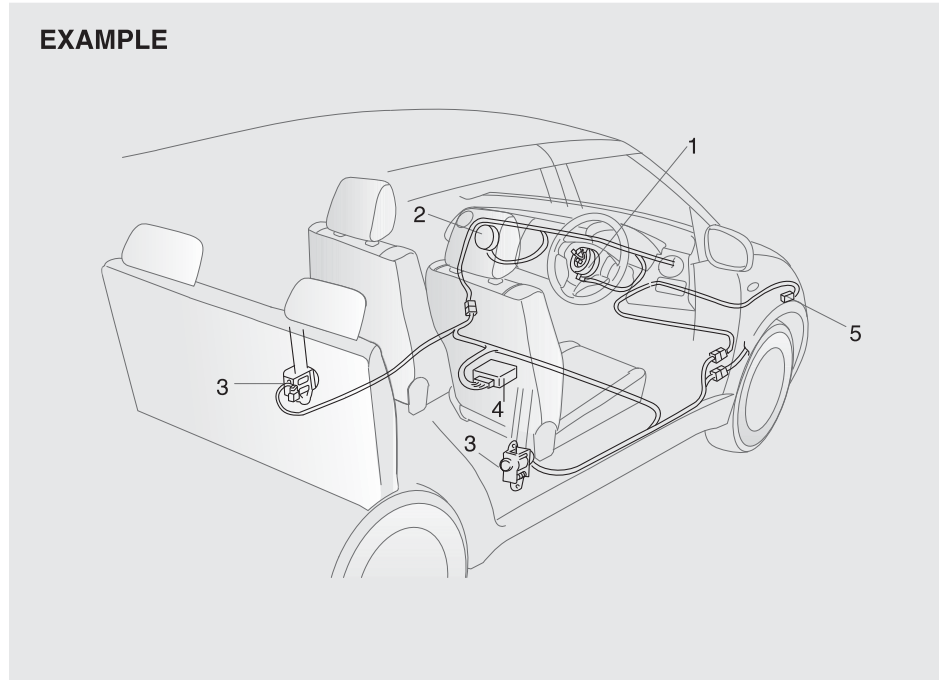
⚠ WARNING

This section of the owner's manual describes the protection provided by your vehicle's **SUPPLEMENTAL RESTRAINT SYSTEM (air bags)**. Please read and follow **ALL** these instructions carefully to minimize your risk of severe injury or death in the event of a collision.

Your vehicle is equipped with a Supplemental Restraint System consisting of the following components in addition to a lap-shoulder belt at each front seating position.

1. Driver's front air bag module (if equipped)
2. Front passenger's front air bag module (if equipped)
3. Seat belt pretensioners (if equipped)
4. Air bag controller
5. Forward crash sensor

EXAMPLE



55KS042

BEFORE DRIVING

55KS0-74E



63J030

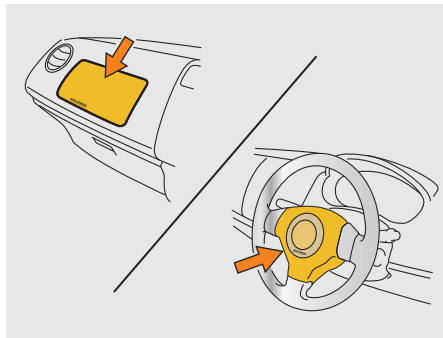
If the "AIR BAG" light on the instrument cluster does not blink when the ignition switch is first turned to the "ON" position, or the "AIR BAG" light stays on, or comes on while driving, the air bag system (or the seat belt pretensioner system (if equipped)) may not work properly. Have the air bag system inspected by a Maruti Suzuki authorized dealer as soon as possible.

Front Air Bags (if equipped)

EXAMPLE



63J113

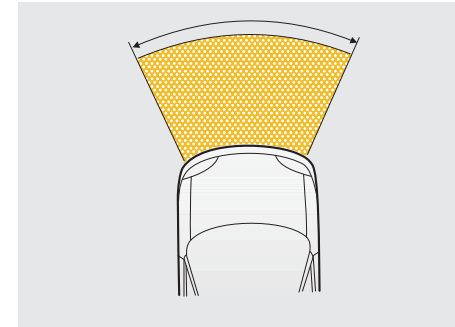


80J093

The driver's front air bag is located behind the center pad of the steering wheel and the front passenger's front air bag is located behind the passenger's side of the

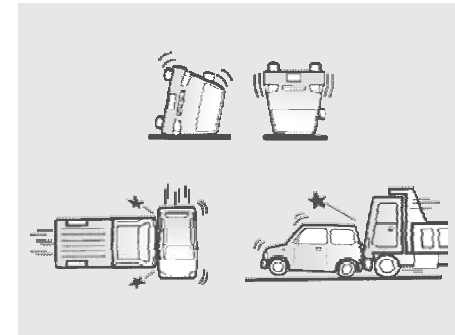
dashboard. The words "SRS AIRBAG" are molded into the air bag covers to identify the location of the air bags.

Frontal collision range

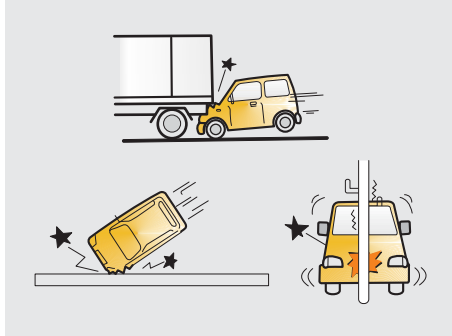


60G032

Front air bags will probably not inflate



65D236

Front air bags will probably not inflate

65D237

Front air bags are designed to inflate only in severe frontal collisions. They are not designed to inflate in rear impacts, side impacts, rollovers or minor frontal collisions, since they would offer no protection in those types of accidents. Remember, since an air bag deploys only one time during an accident, seat belts are needed to restrain occupants from further movements during the accident.

Therefore, an air bag is NOT a substitute for seat belts. To maximize your protection, **ALWAYS WEAR YOUR SEAT BELTS**. Be aware that no system can prevent all possible injuries that may occur in an accident.

⚠ WARNING

An air bag supplements, or adds to, the crash protection offered by seat belts. The driver and all passengers must be properly restrained by wearing seat belts at all times, whether or not an air bag is mounted at their seating position, to minimize the risk of severe injury or death in the event of a crash.



65D607

⚠ WARNING


Do not install a rear-facing child restraint in the front passenger's seat. If the passenger's front air bag inflates, a child in a rear-facing child restraint could be killed or severely injured. The back of a rear-facing child restraint would be too close to the inflating air bag.

If you must use a front-facing child restraint in the front passenger's seat, be sure to move the front passenger's seat as far back as possible. Please refer to the "Seat Belts and Child Restraint Systems" section in the "BEFORE DRIVING" section for details on securing your child.

BEFORE DRIVING

55KS0-74E

Air bag symbol (if equipped) meaning

	WARNING AVERTISSEMENT ADVERTENCIA WARNUNG ATTENZIONE WAARSCHUWING VIGYÁZAT
GB	-----
F	-----
E	-----
D	-----
I	-----
NL	-----
H	-----

↓

DO NOT place rear-facing child seat on this seat with airbag. **DEATH OR SERIOUS INJURY** can occur. The **BACK SEAT** with child restraint is the **SAFEST** place for children.

73K021

You may find this label on the sun visor.

⚠ WARNING

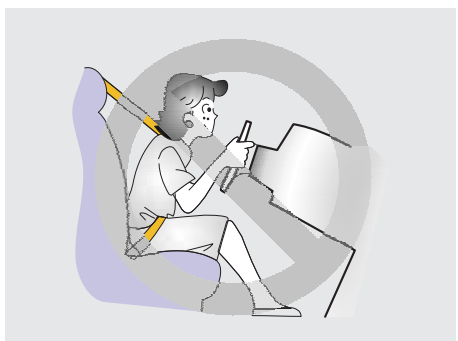
An air bag supplements, or adds to, the crash protection offered by seat belts. The driver and all passengers must be properly restrained by wearing seat belts at all times, whether or not an air bag is mounted at their seating position, to minimize the risk of severe injury or death in the event of a crash.

How the System Works

In a frontal collision, the crash sensors will detect rapid deceleration, and if the controller judges that the deceleration represents a severe frontal crash, the controller will trigger the inflators. The inflators inflate the air bags with nitrogen or argon gas. The air bag inflates and deflates so quickly that you may not even realize that it has activated. The air bag will neither hinder your view nor make it harder to exit the vehicle.

Air bags must inflate quickly and forcefully in order to reduce the chance of serious or fatal injuries. However, an unavoidable consequence of the quick inflation is that the air bag may irritate bare skin, such as the facial area against a front air bag. Also, upon inflation, a loud noise will occur and some powder and smoke will be released. These conditions are not harmful and do not indicate a fire in the car. Be aware, however, that some air bag components may be hot for a while after inflation.

A seat belt helps keep you in the proper position for maximum protection when an air bag inflates. Adjust your seat as far back as possible while still maintaining control of the vehicle. Sit fully back in your seat; sit up straight; do not lean over the steering wheel or dashboard. Front occupants should not lean on or sleep against the door. Please refer to the "Seat Adjustment" section and the "Seat Belts and Child Restraint Systems" section in the "BEFORE DRIVING" section for details on proper seat and seat belt adjustments.



65D610



54G582

⚠ WARNING

- The driver should not lean over the steering wheel. The front passenger should not rest his or her body against the dashboard, or otherwise get too close to the dashboard. In these situations, the out-of-position occupant would be too close to an inflating air bag, and may suffer severe injury.
- Do not attach any objects to, or place any objects over, the steering wheel or dashboard. Do not place any objects between the air bag and the driver or front passenger. These objects may interfere with air bag operation or may be propelled by the air bag in the event of a crash. Either of these conditions may cause severe injury.

Note that even though your vehicle may be moderately damaged in a collision, the collision may not have been severe enough to trigger the air bags to inflate. If your car sustains any front-end damage, have the air bag system inspected by an MARUTI SUZUKI authorized dealer to ensure it is in proper working order.

Your vehicle is equipped with a diagnostic module which records information about the air bag system if the air bags deploy in a crash. The module records information about overall system status, which sensors activated the deployment.

Servicing the air bag system

If the air bags inflate, have the air bags and related components replaced by a MARUTI SUZUKI authorized dealer as soon as possible.

If your vehicle ever gets in deep water, the air bag controller could be damaged. If it does, have the air bag system inspected by the MARUTI SUZUKI dealer as soon as possible.

Special procedures are required for servicing or replacing an air bag. For that reason, only a MARUTI SUZUKI authorized dealer should be allowed to service or replace your air bags. Please remind anyone who services your vehicle that it has air bags.

Service on or around air bag components or wiring must be performed only by a MARUTI SUZUKI authorized dealer. Improper service could result in unintended air bag deployment or could render the air bag inoperative. Either of these two conditions may result in severe injury.

To prevent damage or unintended inflation of the air bag system, be sure the battery is disconnected and the ignition switch has been in the "LOCK" position for at least 90 seconds before performing any electrical service work on your vehicle. Do not touch air bag system components or wires. The wires are wrapped with yellow tape or yellow tubing, and the couplers are yellow for easy identification.

Scrapping a car that has an uninflated air bag can be hazardous. Ask your MARUTI SUZUKI dealer, body repair shop or scrap yard for help with disposal.

MEMO

STEERING COLUMN CONTROLS

Ignition Switch	2-1
Lighting/Turn Signal Control Lever	2-3
Windshield Wiper and Washer Lever	2-4
Tilt Steering Lock Lever (if equipped)	2-6
Remote Audio Controls (if equipped)	2-7
Horn	2-7

2

STEERING COLUMN CONTROLS

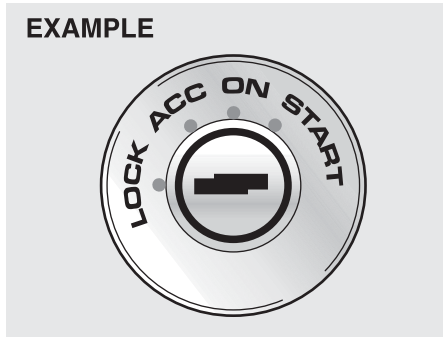
55KS0-74E



65D611

⚠ WARNING
To avoid possible injury, do not operate controls by reaching through the steering wheel.

Ignition Switch



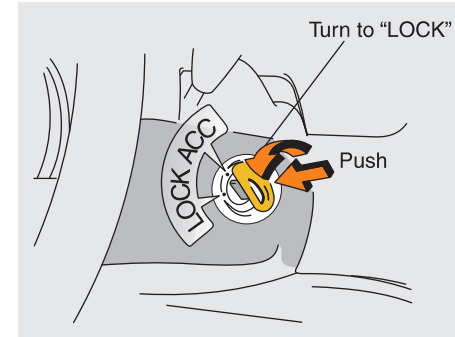
60B041

The ignition switch has the following four positions:

LOCK

This is the normal parking position. It is the only position in which the key can be removed.

Manual transmission



60G033

• **Manual transmission vehicles**

You must push in the key to turn it to the "LOCK" position. It locks the ignition, and prevents normal use of the steering wheel after the key is removed.

• **Automatic transmission vehicles**

The gearshift lever must be in the "P" (Park) position to turn the key to the "LOCK" position. It locks the ignition and prevents normal use of the steering wheel and gearshift lever.

To release the steering lock, insert the key and turn it clockwise to one of the other positions. If you have trouble turning the key to unlock the steering, try turning the steering wheel slightly to the right or left while turning the key.

Ignition Switch: 8
Lighting/Turn Signal Control Lever: 8

55KS0-74E

ACC

Accessories such as the radio can operate, when the engine is off.

ON

This is the normal operating position. All electrical systems are on.

START

This is the position for starting the engine using the starter motor. The key should be released from this position as soon as the engine starts.

Ignition key reminder (if equipped)

A buzzer sounds intermittently to remind you to remove the ignition key if it is in the ignition switch when the driver's door is opened.



81A297S

⚠ WARNING

- Never return the ignition switch to the "LOCK" position and remove the ignition key while the vehicle is moving. The steering wheel will lock and you will not be able to steer the vehicle.

(Continued)

STEERING COLUMN CONTROLS

⚠ WARNING

(Continued)

- Always return the ignition switch to the "LOCK" position and remove the ignition key when leaving the vehicle even if a short time. Also do not leave children alone in a parked vehicle. Unattended children could cause accidental movement of the vehicle or could tamper with power windows. They also could suffer from heat stroke in warm or hot weather. These could result in severe injury or even death.

CAUTION

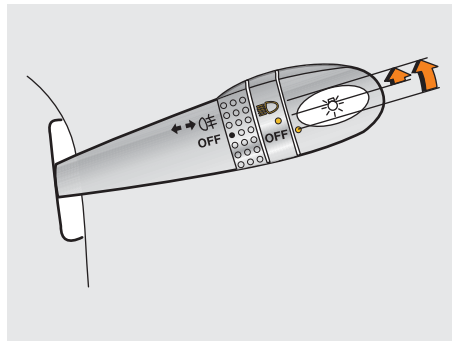
- Do not use the starter motor for more than 15 seconds at a time. If the engine does not start, wait 15 seconds before trying again. If the engine does not start after several attempts, check the fuel and ignition systems or consult your MARUTI dealer.
- Do not leave the ignition switch in the "ON" position if the engine is not running as the battery will discharge.

STEERING COLUMN CONTROLS

55KS0-74E

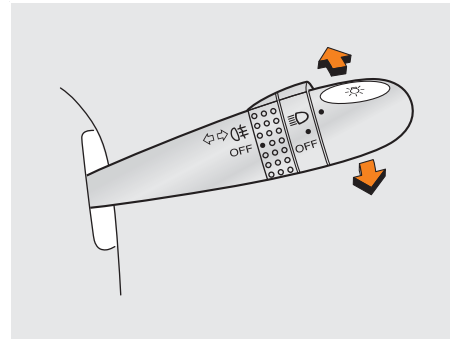
Lighting/Turn Signal Control Lever

Lighting Operation



75J004

To turn the lights on or off, twist the knob on the end of the lever. There are three positions: in the "OFF" position all lights are off; in the middle position the front parking lights, taillights, licence plate light, and instrument lights are on, but the headlights are off; in the third position the headlights come on in addition to the other lights.



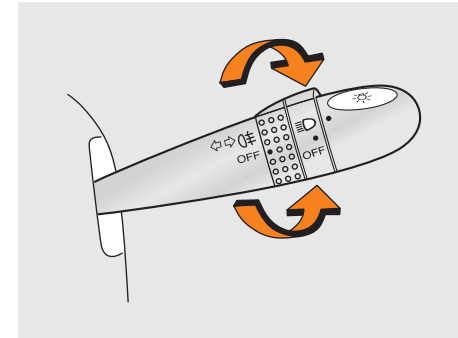
75J005

With the headlights on, push the lever forward to switch to the high beams (main beams) or pull the lever toward you to switch to the low beams. When the high beams (main beams) are on, a light on the instrument panel will come on. To momentarily activate the high beams (main beams) as a passing signal, pull the lever slightly toward you and release it when you have completed the signal.

Lights "On" reminder (if equipped)

A buzzer/chime sounds to remind you to turn off the lights if they are left on when the ignition key is removed and the driver's door is opened.

Rear Fog Light Switch



75J006

To turn the rear fog light on, twist the knob as shown in the illustration with the head light switch in the third position. When the rear fog light is on, an indicator light on the instrument cluster will come on. Do not turn the rear fog light switch unless the head light switch is in the third position.

NOTE:

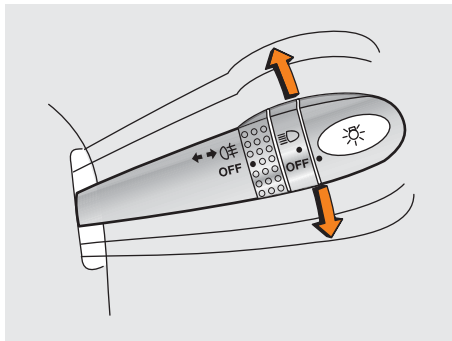
When the head light switch is returned to the "OFF" position, the rear fog light switch will be cancelled automatically.

55KS0-74E

Turn Signal Operation

With the ignition switch in the "ON" position, move the lever up or down to activate the left or right turn signals.

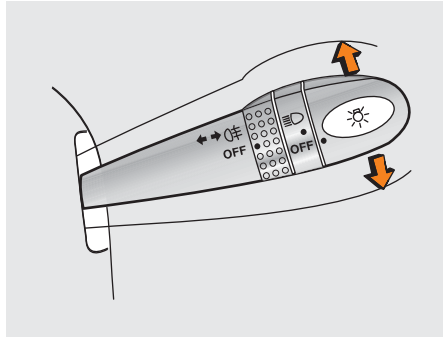
Normal turn signal



75J007

Move the lever all the way upward or downward to signal. When the turn is completed, the signal will cancel and the lever will return to its normal position.

Lane change signal



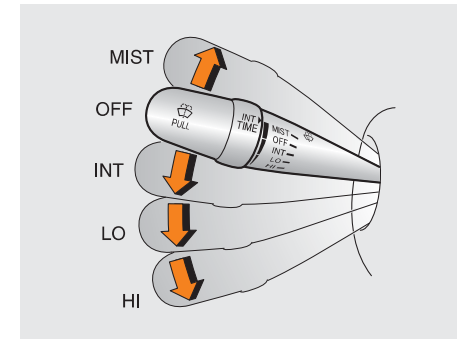
75J008

Some times, such as when changing lanes, the steering wheel is not turned far enough to cancel the turn signal. For convenience, you can flash the turn signal by moving the lever part way and holding it there. The lever will return to its normal position when you release it.

STEERING COLUMN CONTROLS

Windshield Wiper and Washer Lever

Windshield Wipers



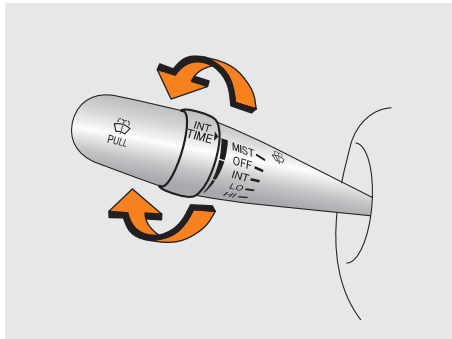
55KS026

To turn the windshield wipers on, move the lever down to one of the three operating positions. In the "INT" position (if equipped), the wipers operate intermittently. The "INT" position is very convenient for driving in mist or light rain. In the "LO" position, the wipers operate at a steady low speed. In the "HI" position, the wipers operate at a steady high speed. To turn off the wipers, move the lever back to the "OFF" position.

Move the lever up and hold it to the "MIST" position, the windshield wipers will turn on continuously at low speed.

STEERING COLUMN CONTROLS

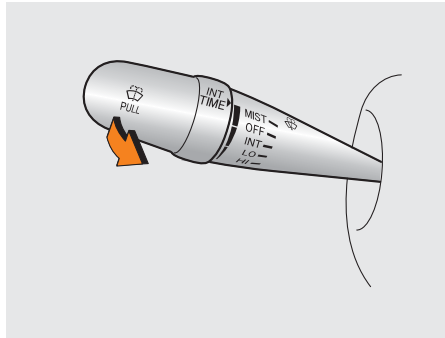
55KS0-74E



55KS027

If the lever is equipped with the “INT TIME” control, turn the control forward or rearward to adjust the intermittent wiper operation to the desired interval.

Windshield Washer



55KS028

To spray windshield washer fluid, pull the lever toward you. The windshield wipers will automatically turn on at low speed if they are not already on and the “INT” position is equipped.

⚠ WARNING

- To prevent windshield icing in cold weather, turn on the defroster to heat the windshield before and during windshield washer use.
- Do not use radiator antifreeze in the windshield washer reservoir. It can severely impair visibility when sprayed on the windshield, and can also damage your vehicle’s paint.

55KS0-74E

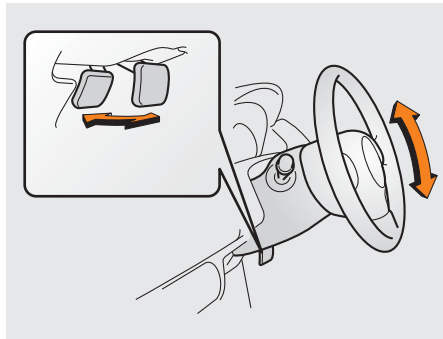
STEERING COLUMN CONTROLS

CAUTION

To help prevent damage to the windshield wiper and washer system components, you should take the following precautions:

- Do not continue to hold in the lever when there is no windshield washer fluid being sprayed or the washer motor can be damaged.
- Do not attempt to remove dirt from a dry windshield with the wipers or you can damage the windshield and the wiper blades. Always wet the windshield with washer fluid before operating the wipers.
- Clear ice or packed snow from the wiper blades before using the wipers.
- Check the washer fluid level regularly. Check it often when the weather is bad.
- Only fill the washer fluid reservoir 3/4 full during cold weather to allow room for expansion if the temperature falls low enough to freeze the solution.

Tilt Steering Lock Lever (if equipped)



63J026

The lock lever is located under the steering column. To adjust the steering wheel height:

- 1) Pull up the lock lever to unlock the steering column.
- 2) Adjust the steering wheel to the desired height and lock the steering column by pushing down the lock lever.
- 3) Try moving the steering wheel up and down to make sure it is securely locked in position.

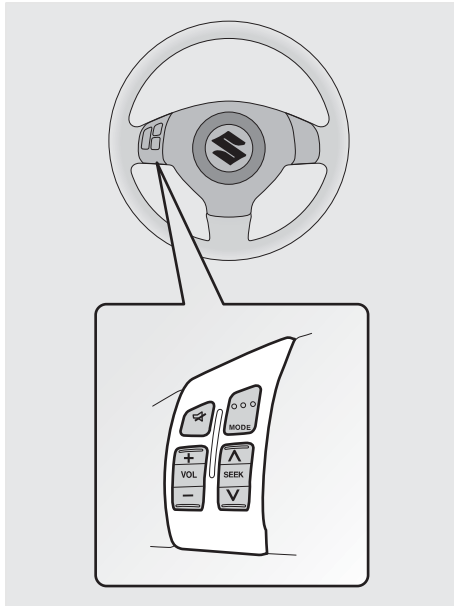
⚠ WARNING

Never attempt to adjust the steering wheel height while the vehicle is moving or you could lose control of the vehicle.

STEERING COLUMN CONTROLS

55KS0-74E

Remote Audio Controls (if equipped)



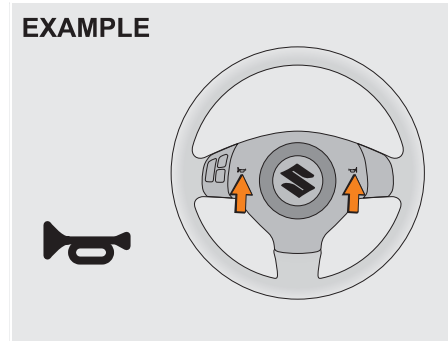
79J073

You can control basic functions of the audio system with the switches on the steering wheel.

NOTE:
Audio Switches will illuminate when position lamp switch is turned ON.

2-7

Horn



56KN009

Press the horn button of the steering wheel to sound the horn. The horn will sound with the ignition switch in any position.

58

INSTRUMENT PANEL

Instrument Panel	3-1
Instrument Cluster	3-2
Warning and Indicator Lights	3-4
Transmission Selector Position Indicator (if equipped)...	3-8
Speedometer/Odometer/Trip meter/Meter Illumination	
Control	3-9
Tachometer	3-11
Fuel Gauge	3-11
Temperature Gauge	3-12
Hazard Warning Switch	3-12
Headlight Leveling Switch (if equipped)	3-12
Heated Rear Window Switch	3-13
Front Fog Light Switch (if equipped)	3-14
Cigarette Lighter and Ashtray (if equipped)	3-14
USB Port	3-15
Glove Box	3-15
Information Display (if equipped)	3-15
Heating and Air Conditioning System	3-17

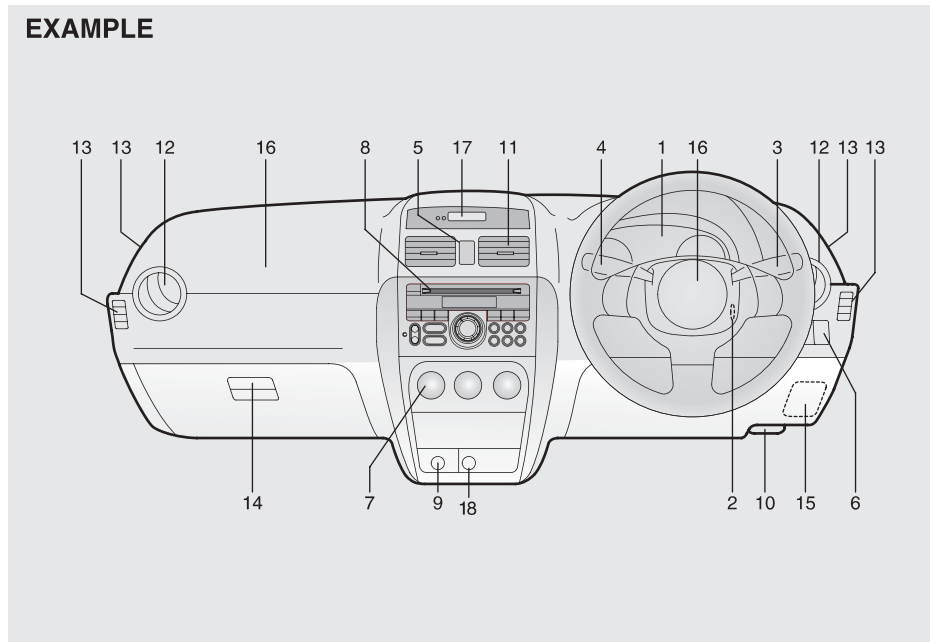
INSTRUMENT PANEL

55KS0-74E

Instrument Panel

1. Instrument cluster
2. Ignition switch
3. Lighting switch/Turn signal and dimmer switch
4. Windshield wiper and washer switch
5. Hazard warning switch
6. Other switches (if equipped)
7. Heater control panel
8. Audio (if equipped)
9. Cigarette lighter/ashtray or storage area
10. Hood release
11. Center ventilator
12. Side ventilator
13. Side defroster
14. Glove box
15. Fuse box
16. Air bag (if equipped)
17. Information display
18. USB Port (if equipped)

EXAMPLE

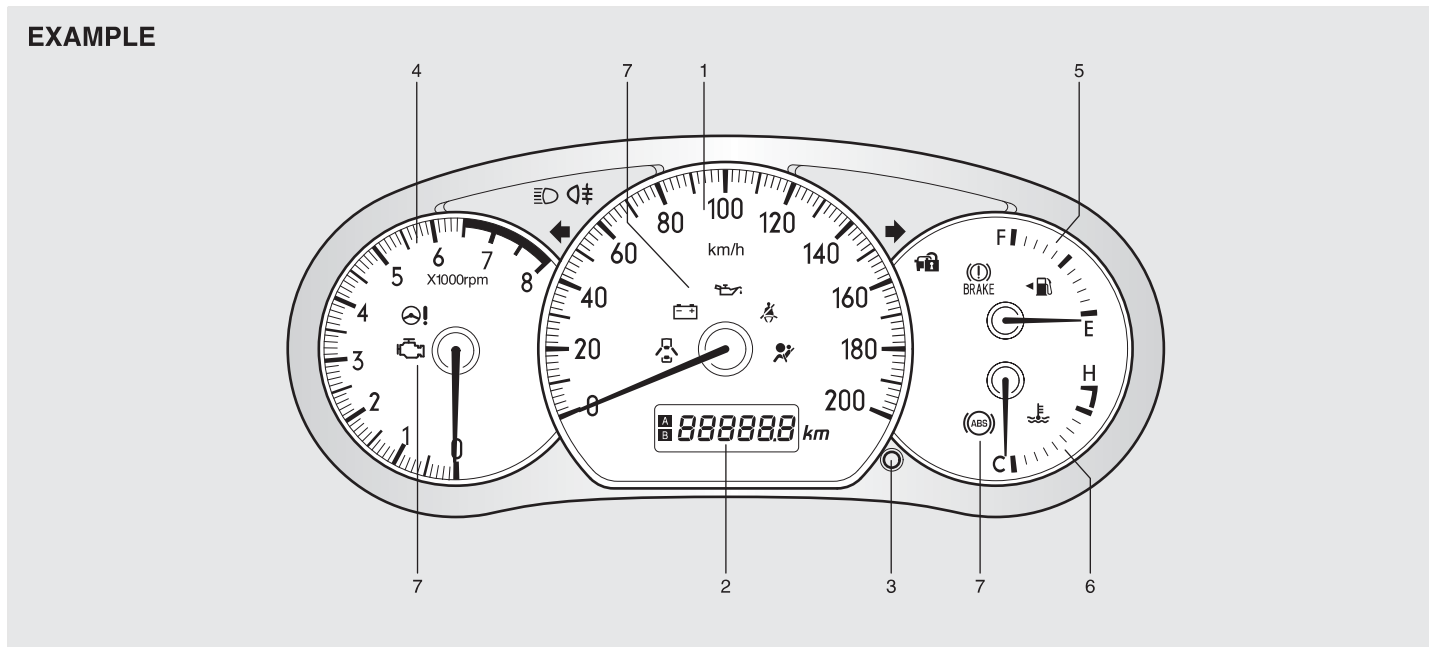


55KS014

Instrument Cluster (Petrol)

1. Speedometer
2. Odometer/Trip meter
3. Odometer/Trip meter selector knob
4. Tachometer
5. Fuel gauge
6. Temperature gauge
7. Warning and indicator lights

EXAMPLE



55KS015

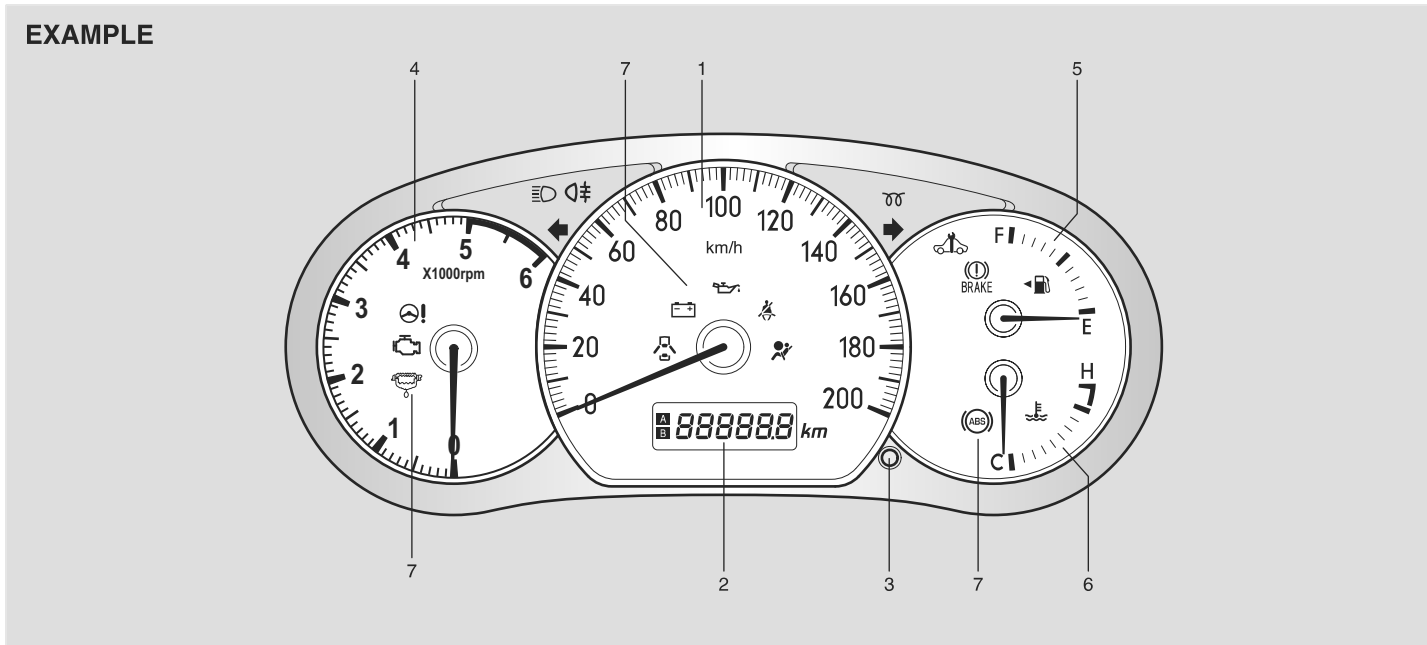
INSTRUMENT PANEL

55KS0-74E

Instrument Cluster (Diesel)

1. Speedometer
2. Odometer/Trip meter
3. Odometer/Trip meter selector knob
4. Tachometer
5. Fuel gauge
6. Temperature gauge
7. Warning and indicator lights

EXAMPLE



55KS0-74E

Warning and Indicator Lights

Brake System Warning Light



65D477

For working check of this light, there are following three different type operations depending on the vehicle's specification.

- 1) The light comes on briefly when the ignition switch is turned to the "ON" and/or "START" position.
- 2) The light comes on when the parking brake is engaged with the ignition switch in the "ON" position.
- 3) The light comes on when under either or both of above two conditions.

The light also comes on when the fluid in the brake fluid reservoir falls below the specified level.

The light should go out after starting the engine and fully releasing the parking brake, if the fluid level in the brake fluid reservoir is adequate.

The light also comes on together with the ABS warning light (if equipped) when the rear brake force control function (Propor-

tioning valve function) of the ABS system fails.

If the brake system warning light comes on while you are driving the vehicle, it may mean that there is something wrong with the vehicle's brake system. If this happens, you should:

- 1) Pull off the road and stop carefully.

⚠ WARNING

Remember that stopping distance may be longer, you may have to push harder on the pedal, and the pedal may go down farther than normal.

- 2) Test the brakes by carefully starting and stopping at the side of the road.
 - If you determine that it is safe, drive carefully at low speed to the nearest dealer for repairs, or
 - Have the vehicle towed to the nearest dealer for repairs.

⚠ WARNING

If any of the following conditions occur, you should immediately ask your MARUTI SUZUKI dealer to inspect the brake system.

- If the brake system warning light does not go out after the engine has been started and the parking brake has been fully released.
- If the brake system warning light does not come on when the ignition switch is turned to the "ON" or "START" position.
- If the brake system warning light comes on at any time during vehicle operation.

NOTE:

Because the disc brake system is self-adjusting, the fluid level will drop as the brake pads become worn. Replenishing the brake fluid reservoir is considered normal periodic maintenance.

INSTRUMENT PANEL

55KS0-74E

**Anti-Lock Brake System (ABS)
Warning Light (if equipped)**



65D529

When the ignition switch is turned to the "ON" position, the light comes on briefly so you can check that the light is working. If the light stays on, or comes on when driving, there may be something wrong with the ABS.

If this happens:

- 1) Pull off the road and stop carefully.
- 2) Turn the ignition switch to "LOCK" and then start the engine again.

If the warning light comes on briefly then turns off, the system is normal. If the warning light still stays on, the system will be something wrong.

If the light and the brake system warning light stay on, or come on simultaneously when driving, your ABS system is equipped with the rear brake force control function (Proportioning valve function) and there may be something wrong with both the rear brake force control function and anti-lock function of the ABS system.

3-5

If one of these happens, have the system inspected by your MARUTI SUZUKI dealer.

If the ABS becomes inoperative, the brake system will function as an ordinary brake system that does not have this ABS system.

For details of ABS system, refer to "Anti-Lock Brake System (ABS) (if equipped)" in the "OPERATING YOUR VEHICLE" section.

Oil Pressure Light



50G051

This light comes on when the ignition switch is turned to the "ON" position, and goes out when the engine is started. The light will come on and remain on if there is insufficient oil pressure. If the light comes on when driving, pull off the road as soon as you can and stop the engine. Check the oil level and add oil if necessary. If there is enough oil, the lubrication system should be inspected by your MARUTI SUZUKI dealer before you drive the vehicle again.

CAUTION

- If you operate the engine with this light on, severe engine damage can result.
- Do not rely on the Oil Pressure Light to indicate the need to add oil. Be sure to periodically check the engine oil level.

64

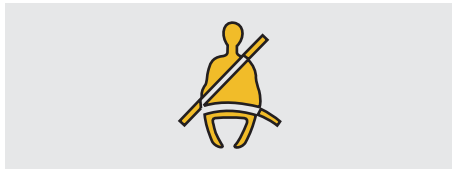
Charging Light



50G052

This light comes on when the ignition switch is turned to the "ON" position, and goes out when the engine is started. The light will come on and remain on if there is something wrong with the battery charging system. If the light comes on when the engine is running, the charging system should be inspected immediately by your MARUTI SUZUKI dealer.

Seat Belt Reminder Light (if equipped)



60G049

When the driver doesn't buckle his or her seat belt, this light will come on. For details about the seat belt reminder, refer to "Seat Belts and Child Restraint Systems" in the "BEFORE DRIVING" section.

65

"AIR BAG" Light (if equipped)



63J030

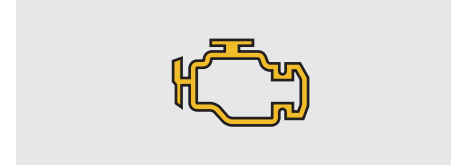
This light blinks or comes on for several seconds when the ignition switch is turned to the "ON" position so you can check if the light is working.

The light will come on and stay on if there is a problem in the air bag system or the seat belt pretensioner system (if equipped).

⚠ WARNING

If the "AIR BAG" light does not blink or come on briefly when the ignition switch is turned to the "ON" position, stays on for more than 10 seconds, or comes on while driving, the air bag system or the seat belt pretensioner system (if equipped) may not work properly. Have both systems inspected by a MARUTI SUZUKI authorized dealer.

Malfunction Indicator Light



65D530

Your vehicle has a computer-controlled emission control system. A malfunction indicator light is provided on the instrument panel to indicate when it is necessary to have the emission control system serviced. The malfunction indicator light comes on when the ignition switch is turned to "ON" or "START" and goes out when the engine is started.

If the malfunction indicator light comes on when the engine is running, there is a problem with the emission control system. Bring the vehicle to your MARUTI SUZUKI dealer to have the problem corrected.

CAUTION

Continuing to drive the vehicle when the malfunction indicator light is on can cause permanent damage to the vehicle's emission control system, and can affect fuel economy and driveability.

Warning and Indicator Lights: 8
A/T Selector Position Indicator: 8
Speedometer/Odometer/Trip meter: 8

INSTRUMENT PANEL

55KS0-74E

Immobilizer System Light (Petrol Engine)



65D239

When the ignition switch is turned to the "ON" position, this light comes on to let you know the light is working. If this light blinks with the ignition switch turned to "ON", there may be something wrong with the immobilizer system. Ask your MARUTI SUZUKI dealer to have the system inspected.

Service Vehicle Soon (SVS) Light (only for Diesel)



84034

When the ignition switch is turned to the "ON" position, this light comes on briefly. If this light comes on when the engine is running, there may be something wrong with the engine electronics system. Ask your MARUTI SUZUKI dealer to have the system inspected. If this light blinks with the ignition switch turned "ON", there may be something wrong with the immobilizer system. Ask your MARUTI SUZUKI dealer to have the system inspected. Vehicle will not start in this condition.

Open Door Warning Light



54G391

This light remains on until all doors (including the rear door) are completely closed.

Electric Power Steering Light (if equipped)



79J039

This light comes on when the ignition switch is turned to the "ON" position, and goes out when the engine is started.

If this light comes on while driving, the power steering system may not work properly. Have the system inspected by your MARUTI SUZUKI dealer.

NOTE:

If the power steering system does not work properly, you will feel heavier to steer but you still will be able to steer.

55KS0-74E

INSTRUMENT PANEL

**Rear Fog Light Indicator Light
(if equipped)**



54G491

The rear fog light indicator light comes on when the rear fog light operates.

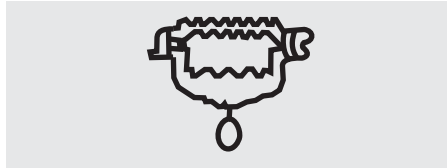
**Glow Plug Indicator Light
(if equipped) (For Diesel only)**



60A543

If the coolant temperature is cool enough, this light comes on when the ignition switch is turned to the "ON" position, and goes out when the glow plug is heated enough for engine starting.

**Water in Fuel Filter Warning Light
(for Diesel only)**



If this light comes on, and keeps on glowing, get the water drained from the fuel filter.

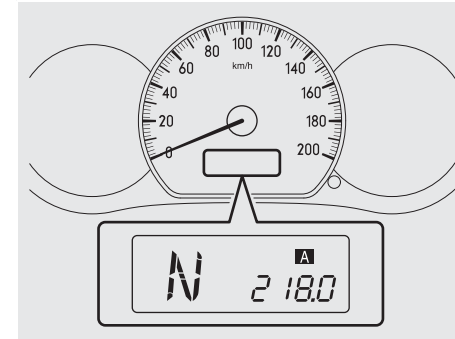
Transmission Warning Light (if equipped)



81A262

This light comes on for several seconds when the ignition switch is turned to the "ON" position so you can check the light is working. If this light comes on, there is the problem with the transmission system. Ask your SUZUKI dealer to have the system inspected.

**Transmission Selector
Position Indicator (if
equipped)**



79J102

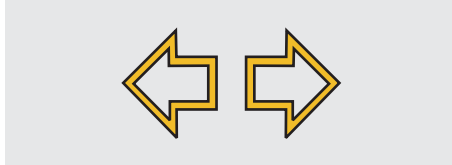
When the ignition switch is in the "ON" position, the indicator shows the gear position.

For details on how to use the transmission, refer to "Using the Transmission" in the "OPERATING YOUR VEHICLE" section.

INSTRUMENT PANEL

55KS0-74E

Turn Signal Indicators



50G055

When you turn on the left or right turn signals, the corresponding green arrow on the instrument panel will flash along with the respective turn signal lights. When you turn on the hazard warning switch, both arrows will flash along with all of the turn signal lights.

Main Beam (high beam) Indicator Light

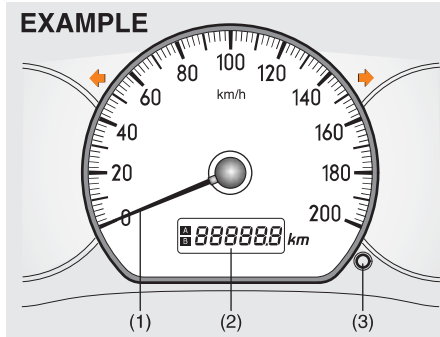


50G056

This indicator comes on when headlight main beams (high beams) are turned on.

Speedometer/Odometer/Trip meter/Meter Illumination Control

EXAMPLE



55KS035

- (1) Speedometer
- (2) Odometer/Trip meter/(Indication of illumination intensity)
- (3) Indication selector and meter illumination control knob

Speedometer

The speedometer indicates vehicle speed in km/h.

Odometer/Trip meter/(Indication of illumination intensity)

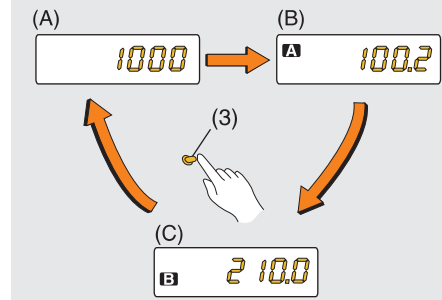
When the ignition switch is turned to "ON", the display shows the odometer or trip meter. The odometer records the total distance the vehicle has been driven. The trip meter can be used to measure the dis-

tance traveled on short trips or between fuel stops.

CAUTION

Keep track of your odometer reading and check the maintenance schedule regularly for required services. Increased wear or damage to certain parts can result from failure to perform required services at the proper mileage intervals.

EXAMPLE

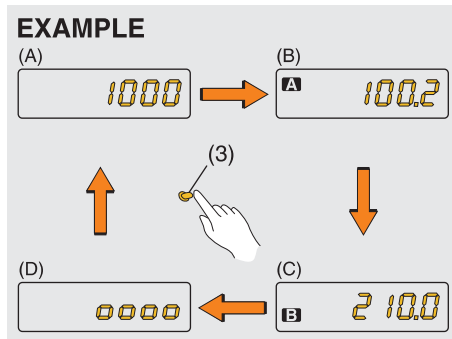


65D603

When the ignition switch is turned to "ON" with the lighting switch is in the "OFF" position, the display shows three types of indication; odometer (A), trip meter A (B) and trip meter B (C). Push the selector knob (3) quickly to switch the indication among the three.

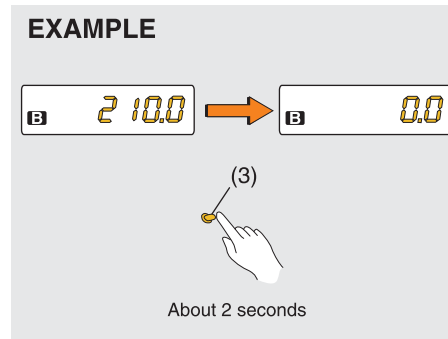
55KS0-74E

INSTRUMENT PANEL



65D532

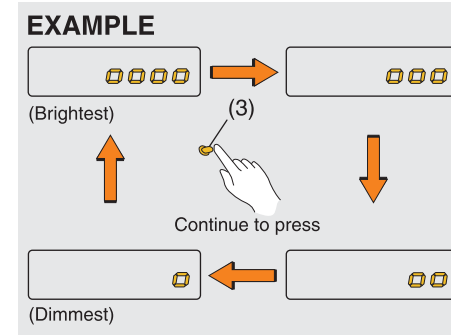
When the ignition switch is turned to “ON” and the lighting switch is turned to the second or third position, the display shows four types of indication; odometer (A), trip-meter A (B), tripmeter B (C) and indication of illumination intensity (D). Push the selector knob (3) quickly to switch the indication among the four. When the indication shows (D), you can control the meter illumination intensity. Refer to “Meter illumination control” section below for details on how to dim or brighten the meter illumination.



65D481

To reset the trip meter to zero, hold in the selector knob (3) for about 2 seconds.

Meter illumination control



81A263

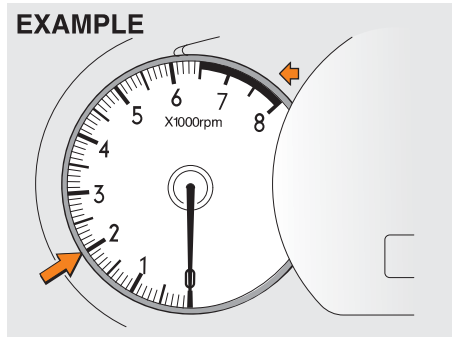
When the display shows the indication of illumination intensity (D), you can dim or brighten the meter illumination.

To change the meter illumination brightness, continue to hold in the selector knob (3). The indication will change as shown in the illustration. The illumination gets dimmer then returns to the brightest condition after it reaches the dimmest.

INSTRUMENT PANEL

55KS0-74E

Tachometer (Petrol)

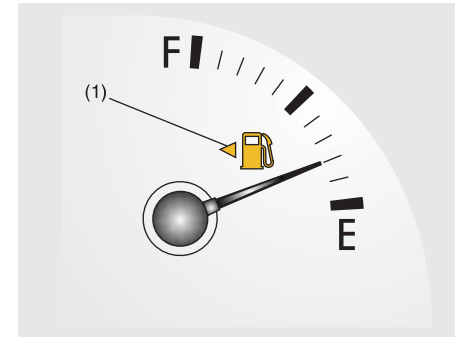


56KN012

The tachometer indicates engine speed in revolutions per minute.

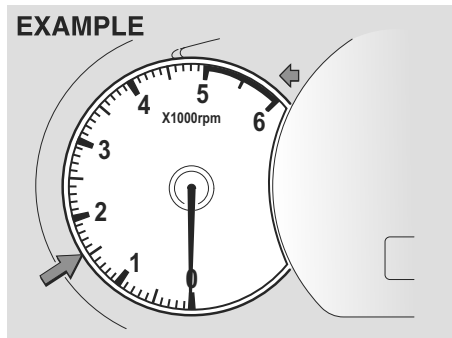
CAUTION
Never drive with the engine speed indicator in the red zone, or severe engine damage can result.

Fuel Gauge



79J102

(Diesel)



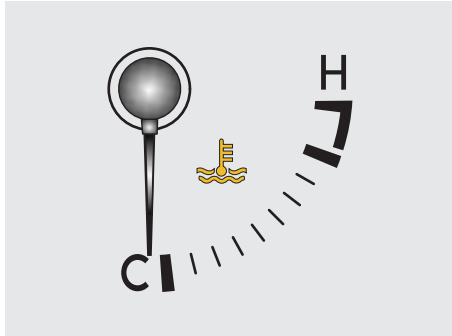
56KN012

When the ignition switch is in the "ON" position, this gauge gives an approximate indication of the amount of fuel in the fuel tank. "F" stands for full and "E" stands for empty.

If the indicator gets off the graduation of "E" (not character "E"), refill the tank as soon as possible.

The mark (1) indicates that the fuel filler door is located on the left side of the vehicle.

Temperature Gauge



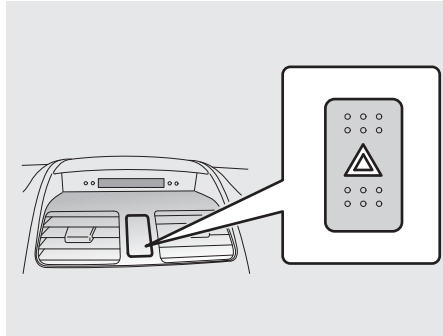
79J133

When the ignition switch is in the “ON” position, this gauge indicates the engine coolant temperature. Under normal driving conditions, the indicator should stay within the normal, acceptable temperature range between “H” and “C”. If the indicator approaches “H”, overheating is indicated. Follow the instructions for engine overheating in the “EMERGENCY SERVICE” section.

CAUTION

Continuing to drive the vehicle when engine overheating is indicated can result in severe engine damage.

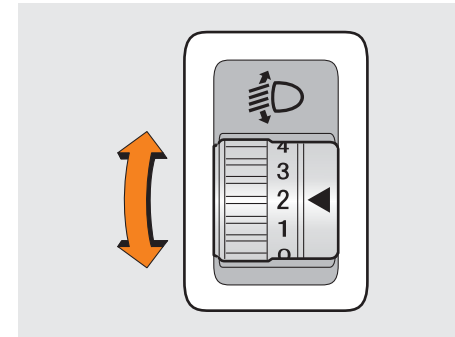
Hazard Warning Switch



79J041

Push in the hazard warning switch to activate the hazard warning lights. All four turn signal lights and both turn signal indicators will flash simultaneously. To turn off the lights, push the switch again. Use the hazard warning lights to warn other traffic during emergency parking or when your vehicle could otherwise become a traffic hazard.

Headlight Leveling Switch (if equipped)



80JS023

Level the headlight beam according to the load condition of your vehicle by turning this switch. The following chart below shows the appropriate switch position for different vehicle-load conditions.

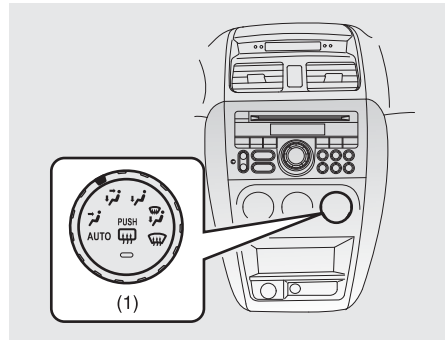
INSTRUMENT PANEL

55KS0-74E

Vehicle Load Condition	Switch Position
Driver	0
Driver + Front Passenger	0
All Passenger	1
All Passenger + Evenly distributed load in the luggage boot.	1
Driver + Evenly distributed load in the luggage boot.	2
Dummy Switch	3
Dummy Switch	4

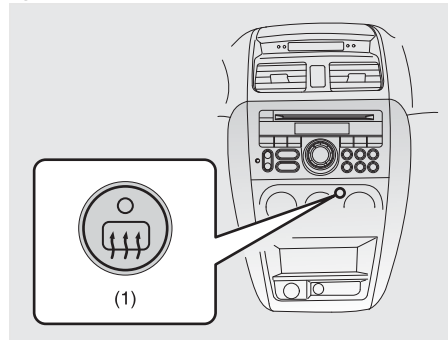
Heated Rear Window Switch

Type 1



79J043

Type 2



79J119

When the rear window is misted, push this switch (1) to clear the window.

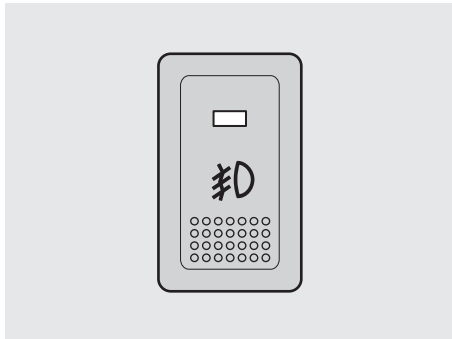
CAUTION

The heated rear window use a large amount of electricity. Be sure to turn off after the window and mirrors have become clear.

55KS0-74E

INSTRUMENT PANEL

**Front Fog Light Switch
(if equipped)**

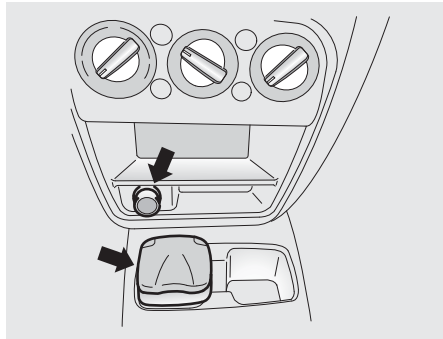


64J058

The front fog light comes on when the fog light switch is pushed in with the head light switch turned to the second and/or third position. An indicator light above the switch will be lit when the front fog light is on.

**Cigarette Lighter and Ashtray
(if equipped)**

Front panel ashtray



79J045

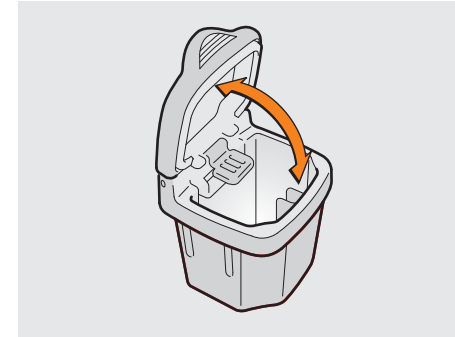
Cigarette lighter

To use the cigarette lighter, push it all the way into the receptacle and release it. It will automatically heat up and will pop out to its normal position when it is ready for use.

CAUTION

To avoid damage to the cigarette lighter socket, do not use it as other accessories' power source. Some accessories' power plug can damage the inner mechanism of the cigarette lighter socket.

Ashtray (if equipped)



79J047

You can fit the ashtray into any of the cup holders on the center console.

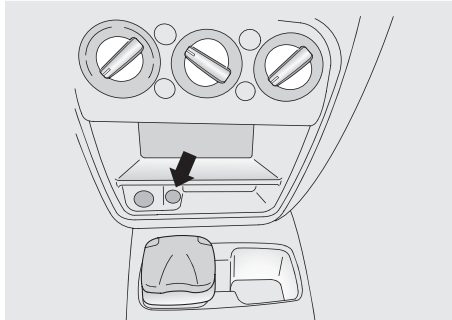
⚠ WARNING

Make sure tobacco is fully extinguished before closing the ashtrays. Never throw waste in the ashtrays: it could create a fire hazard.

INSTRUMENT PANEL

55KS0-74E

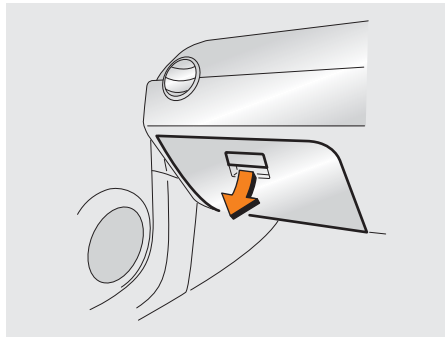
USB Port (if equipped)



79J045A

Pen/Flash Drive or I-pod can be connected in USB Port for listening music.

Glove Box



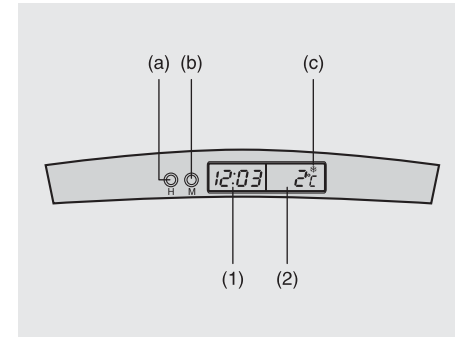
55KS016

To open the glove box, pull the latch lever. To close it, push the lid until it latches securely.

⚠ WARNING

Never drive with the glove box lid open. It could cause injury if an accident occurs.

Information Display (if equipped)



55KS036

- (1) Clock
- (2) Thermometer
- (a) "H" knob
- (b) "M" knob
- (c) Freezing mark

Clock (1)

The clock is shown when the ignition switch is in the “ACC” or “ON” position.

To set the clock, follow the instructions below.

- To set the hour display, push the “H” knob (a) repeatedly to advance the hour display. To advance the hour display quickly, hold in the “H” knob (a) for about 1 second and continue holding.
- To set the minute display, push the “M” knob (b) repeatedly to advance the minute display. To advance the minute display quickly, hold in the “M” knob (b) for about 1 second and continue holding.

Thermometer (2)

The thermometer shows the outside temperature when the ignition switch is in the “ON” position.

If the outside temperature nears freezing, the mark (c) will come on.

NOTE:

The thermometer will not indicate the actual outside temperature when driving at low speed, or when stopped.

INSTRUMENT PANEL

55KS0-74E

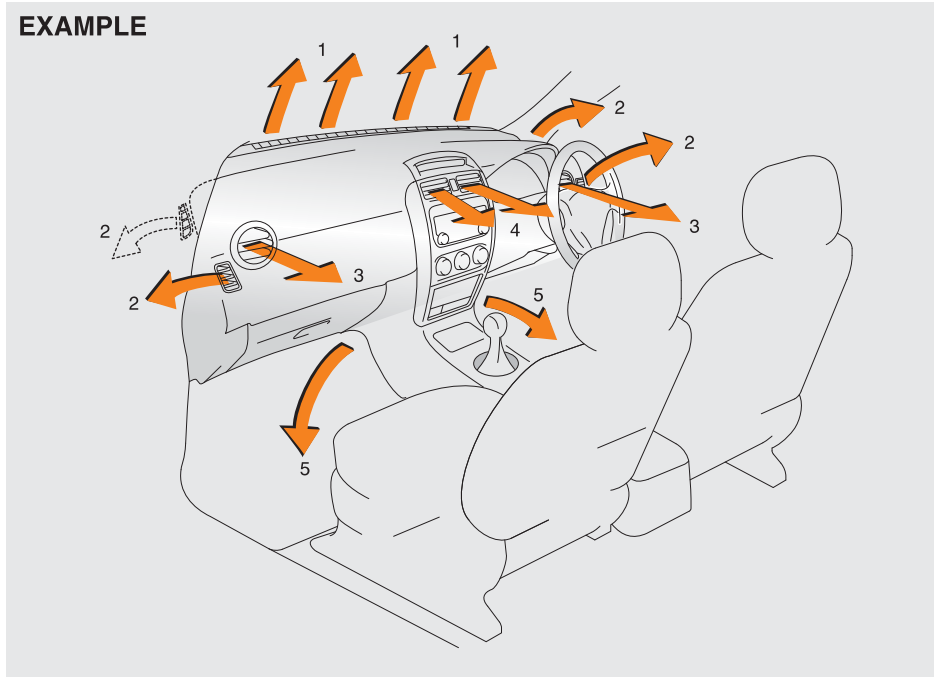
Heating and Air Conditioning System (if equipped)

There are two types of heating and air conditioning systems as follows:

- Manual Heating and Air Conditioning System
- Automatic Heating and Air Conditioning System (Climate Control) (if equipped)

Air Outlet

EXAMPLE



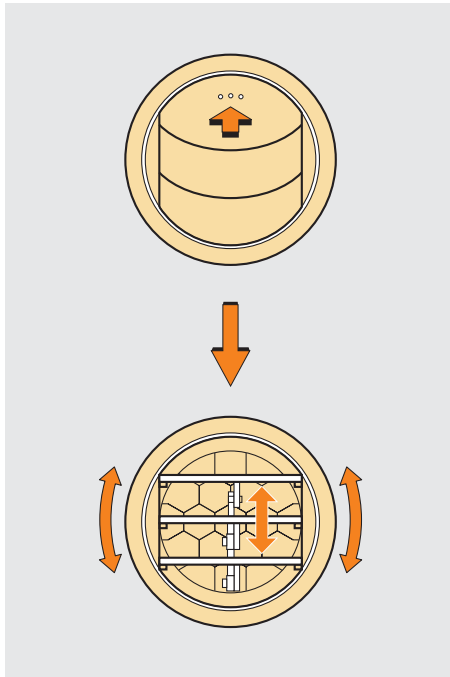
55KS017

1. Windshield defroster outlet
2. Side defroster outlet
3. Side outlet
4. Center outlet
5. Floor outlet (if equipped)

55KS0-74E

INSTRUMENT PANEL

Side outlet

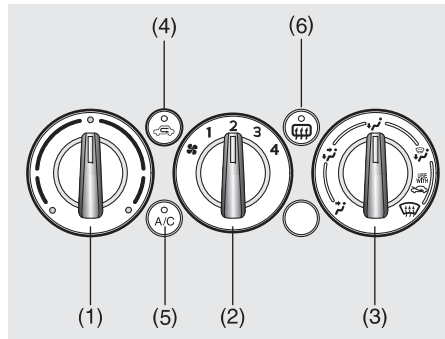


63J045

When "Open", air comes out regardless of the air flow selector position.

Manual Heating and Air Conditioning System

Description of Controls



79J103

Temperature selector (1)

This is used to select the temperature by turning the selector.

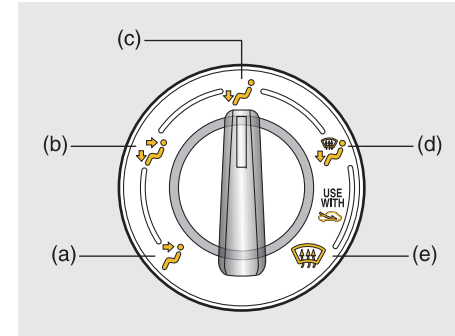
Heated rear window switch (6)

Refer heated rear window switch type 2 in this section.

Blower speed selector (2)

This is used to turn on the blower and to select blower speed by turning the selector.

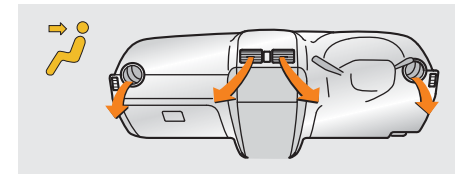
Air flow selector (3)



63J048

This is used to select one of the functions described below.

Ventilation (a)



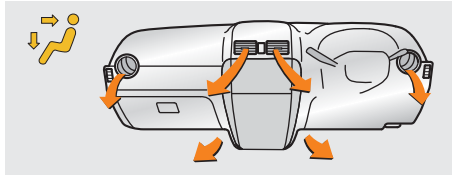
55KS018

Temperature-controlled air comes out of the center and side air outlets.

INSTRUMENT PANEL

55KS0-74E

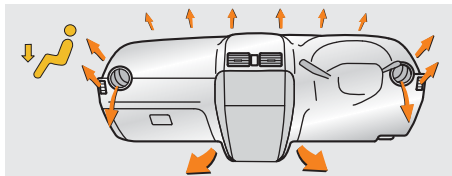
Bi-level (b)



55KS019

Temperature-controlled air comes out of the floor outlets and cooler air comes out of the center and side outlets. When the temperature selector (1) is in the fully COLD position or fully HOT position, however, the air from the floor outlets and the air from the center and side outlets will be the same temperature.

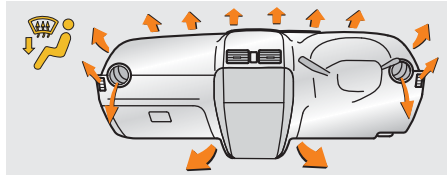
Heat (c)



55KS020

Temperature-controlled air comes out of the floor outlets and the side outlets, also comes out of the windshield defroster outlets and the side defroster outlets slightly.

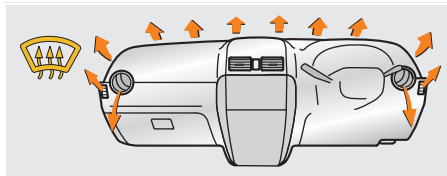
Heat & defrost (d)



55KS021

Temperature-controlled air comes out of the floor outlets, the windshield defroster outlets, the side defroster outlets and the side outlets.

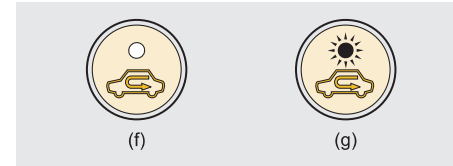
Defrost (e)



55KS022

Temperature-controlled air comes out of the windshield defroster outlets, the side defroster outlets and the side outlets.

Air intake selector (4)



63J047

This selector is used to select the following modes.

Fresh Air (f)

When this mode is selected, the indicator light will go off and outside air is used.

Recirculated Air (g)

When this mode is selected, the indicator light will come on, outside air is shut out and inside air is recirculated. This mode is suitable when driving through dusty or polluted air such as in a tunnel, or when attempting to quickly cool down the interior.

“FRESH AIR” and “RECIRCULATED AIR” are switched alternately each time the air intake selector is pushed.

NOTE:

If you select “RECIRCULATED AIR” for an extended period of time, the air in the vehicle can become contaminated. Therefore, you should occasionally select “FRESH AIR”.

Air conditioning switch (5)

To turn on the air conditioning system, push in the “A/C” switch and set the blower speed selector to a position other than “OFF”. With this “A/C” switch operation, a indicator light will come on when the air conditioning system is on. To turn off the air conditioning system, push the “A/C” switch again.

During operation of the air conditioner, you may notice slight changes in engine speed. These changes are normal, the system is designed so that the compressor turns on or off to maintain the desired temperature.

Less operation of the compressor results in better fuel economy.

System Operating Instructions

Natural ventilation

Select “VENTILATION” and “FRESH AIR”, the temperature selector to the desired temperature position, and the blower speed selector to “OFF”. Fresh air will flow through the vehicle during driving.

Forced ventilation

The control settings are the same as for natural ventilation except you set the blower speed selector to a position other than “OFF”.

Normal heating (using outside air)

Select “HEAT” and “FRESH AIR”, the temperature selector to the desired temperature position and the blower speed selector to the desired blower speed position. Setting the blower speed selector to a higher blower speed position increases heating efficiency.

Quick heating (using recirculated air)

The control settings are the same as for normal heating except you select “RECIRCULATED AIR”. If you use this heating method for an extended period of time, the air in the vehicle can become contaminated and the windows can become misty. Therefore, use this method only for quick heating and change to the normal heating method as soon as possible.

Head cooled/Feet warmed heating

Select “BI-LEVEL” and “FRESH AIR”, the temperature selector to the desired tem-

perature position, and the blower speed selector to the desired blower speed position. Unless the temperature selector is in the fully COLD position or fully HOT position, the air that comes out of the center and side outlets will be cooler than the air that comes out of the floor outlets.

Normal cooling

Turn on the “A/C” switch, set the air flow selector to “VENTILATION”, the temperature selector to the desired temperature position and the blower speed selector to the desired blower speed position. Setting the blower speed selector to a higher blower speed position increases cooling efficiency.

You can switch the air intake selector to either “FRESH AIR” or “RECIRCULATED AIR” as you desire. Choosing “RECIRCULATED AIR” increases cooling efficiency.

Quick cooling (using recirculated air)

The control settings are the same as for normal cooling except you select “RECIRCULATED AIR” and the highest blower speed.

NOTE:

- *If you select “RECIRCULATED AIR” for an extended period of time, the air in the vehicle can become contaminated. Therefore, you should occasionally select “FRESH AIR”.*

INSTRUMENT PANEL

55KS0-74E

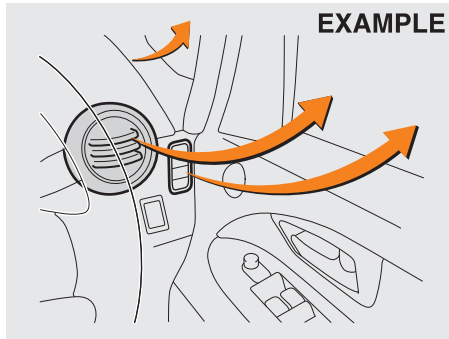
- If your vehicle has been left in the sun with the windows closed, it will cool faster if you open the windows briefly while you operate the air conditioner with the air intake selector at "FRESH AIR" and the blower at high speed.

Dehumidifying

Turn on the "A/C" switch, set the air flow selector to a desired air flow selector position, and select "FRESH AIR", the temperature selector to the desired temperature position, and the blower speed selector to the desired blower speed position.

NOTE:

Because the air conditioner dehumidifies the air, turning it on will help keep the windows clear, even when blowing heated air using the "DEFROST" or "HEAT & DEFROST" functions.



NOTE:

If you need maximum defrosting:

- select "DEFROST" and "FRESH AIR",
- turn on the "A/C" switch,
- set the blower speed selector to HIGH,
- adjust the temperature selector to the HOT end, and
- adjust the side outlets so the air blows on the side windows.

Maintenance

If you do not use the air conditioner for a long period, such as during winter, it may not give the best performance when you start using it again. To help maintain optimum performance and durability of your air conditioner, it needs to be run periodically. Operate the air conditioner at least once a month for one minute with the engine idling. This circulates the refrigerant and oil and helps protect the internal components.

NOTE:

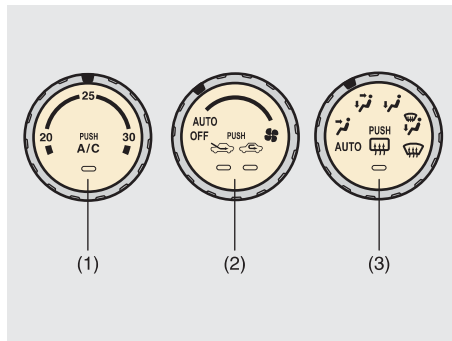
Your vehicle uses the air conditioning refrigerant HFC-134a, commonly called "R-134a". Only R-134a should be used in your vehicle.

CAUTION

Using the wrong refrigerant may damage your air conditioning system. Use R-134a only. Do not mix or replace the R-134a with other refrigerants.

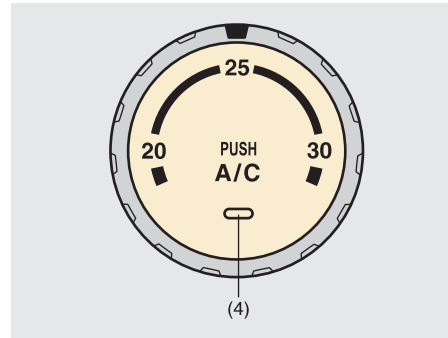
Automatic Heating and Air Conditioning System (Climate Control) (if equipped)

Description of Controls



80JS004

Temperature selector/Air conditioning switch (1)



80JS005

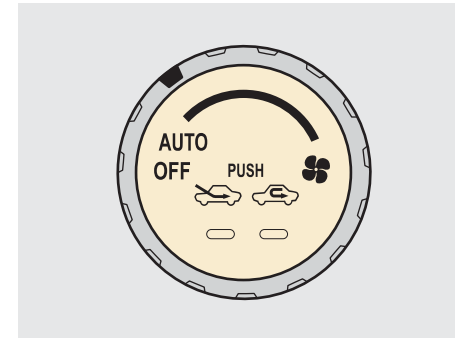
This is used to select the temperature by turning the selector.

Also, this is used to turn on and off the air conditioning system by pushing the switch. To turn on the air conditioning system, push in the switch and the A/C indicator light (4) will come on. To turn off the air conditioning system, push in the switch again and the A/C indicator light (4) will go off.

NOTE:

If the A/C indicator light (4) blinks, there is a problem in the heating system and/or air conditioning system. You should have the system inspected by a MARUTI SUZUKI authorized dealer.

Blower speed selector/Air intake selector (2)



79J096

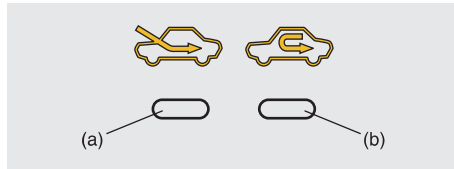
This is used to turn on the blower and to select blower speed.

If the selector is in "AUTO" position, the blower speed will vary as the climate control system maintains the selected temperature.

Also, this is used to select the following modes by pushing the selector.

INSTRUMENT PANEL

55KS0-74E



65D493

FRESH AIR

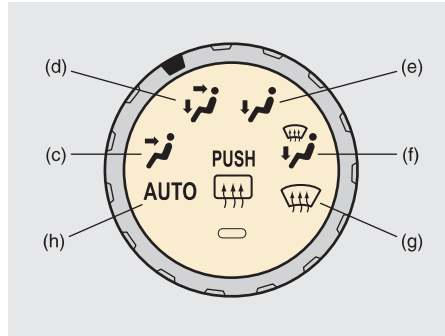
When this mode is selected, the indicator light (a) will come on and outside air is used.

RECIRCULATED AIR

When this mode is selected, the indicator light (b) will come on, outside air is shut out and inside air is recirculated. This mode is suitable when driving through the polluted air such as a tunnel, or attempting to quickly cool down.

“FRESH AIR” and “RECIRCULATED AIR” are switched alternately each time the air intake selector is pushed.

Air flow selector (3)

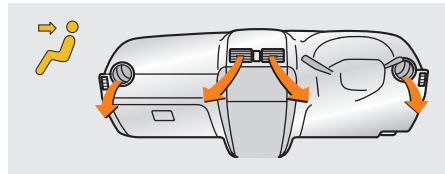


79J097

AUTO (h)

Temperature-controlled air comes out of various outlets automatically.

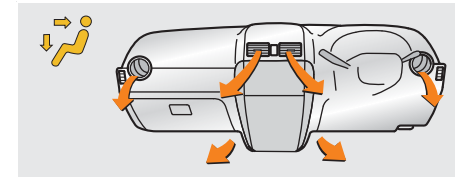
Ventilation (c)



55KS018

Temperature-controlled air comes out of the center and side air outlets.

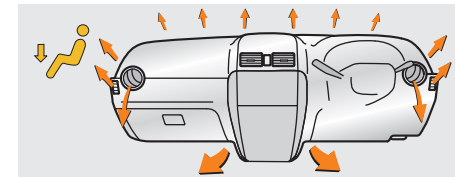
Bi-level (d)



55KS019

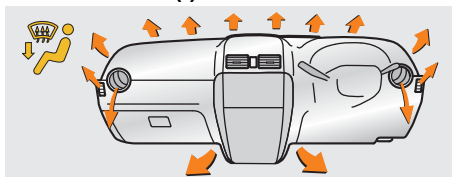
Temperature-controlled air comes out of the floor outlets and cooler air comes out of the center and side outlets. When the temperature selector (1) is in the fully COLD position or fully HOT position, however, the air from the floor outlets and the air from the center and side outlets will be the same temperature.

Heat (e)



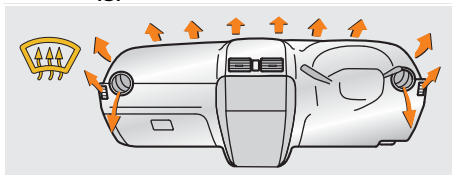
55KS020

Temperature-controlled air comes out of the floor outlets and the side outlets, also comes out of the windshield defroster outlets and the side defroster outlets slightly.

Heat & defrost (f)

55KS021

Temperature-controlled air comes out of the floor outlets, the windshield defroster outlets, the side defroster outlets and the side outlets.

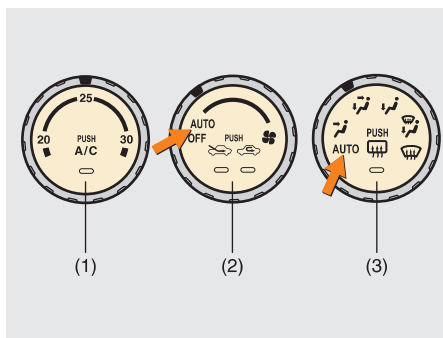
Defrost (g)

55KS022

Temperature-controlled air comes out of the windshield defroster outlets, the side defroster outlets and the side outlets.

NOTE:

When the air flow selector (3) is turned either to "Heat & defrost (f)" or "Defrost (g)", the air conditioning system will come on and the "FRESH AIR" mode will be selected automatically. But in very cold weather, the air conditioning system will not turn on.

System Operating Instructions**Automatic operation**

80JS006

You can let the climate control system work automatically. To set the system in fully-automatic operation, follow the procedure below.

- 1) Set the desired temperature by turning the temperature selector (1).
- 2) Turn the blower speed selector (2) to the "AUTO" position.
- 3) Turn the air flow selector (3) to the "AUTO" position.

Then the blower speed selector/air intake selector (2) and air flow selector (3) are controlled automatically to maintain the set temperature.

The air conditioning switch (1) is to be selected manually according to your taste.

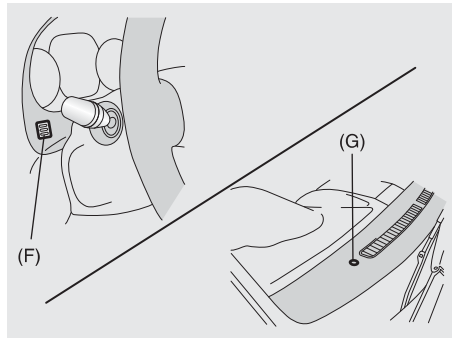
When you turn the air conditioning switch off, the climate control system cannot lower the inside temperature below outside temperature.

To turn the climate control system off, turn the blower speed selector (2) to the "OFF" position

NOTE:

- To find your comfortable zone, start with the 25°C (75°F) setting.
- If you turn the temperature selector (1) to the highest or lowest limit, the climate control system will operate at the maximum cooling or heating and the blower will run at nearly full speed.
- To avoid blowing cold air in cold weather or hot air in hot weather, the system will delay turning on the blower until warmed or chilled air is available.
- If your vehicle has been left in the sun with the windows closed, it will cool faster if you open the windows briefly.
- Even under the automatic operation, you can set some of the blower speed selector/air intake selector (2) and air flow selector (3) into manual mode. Then the manually selected function is maintained preferentially, and the other functions remain under automatic operation.
- To return the air intake selector (2) to automatic operation when both the blower speed selector (2) and the air flow selector (3) are in the "AUTO" position, turn either the selector (2) or (3) to

a position other than "AUTO", then turn to the "AUTO" position again.

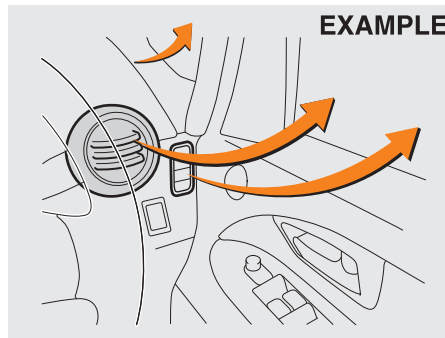


55KS030

Be careful not to cover the interior temperature sensor (F) between the steering wheel and the climate control panel, or the solar sensor (G) located at the top of the driver's side dashboard. These sensors are used by the automatic system to regulate temperature.

Manual operation

You can manually control the climate control system. Set the selectors to your desired position.



EXAMPLE

55KS023

NOTE:

If you need maximum defrosting:

- set the air flow selector to "DEFROST" (the air conditioning system will come on and the "FRESH AIR" mode will be selected automatically),
- set the blower speed selector to HIGH,
- adjust the temperature selector to the HOT end, and
- adjust the side outlets so the air blows on the side windows.

Maintenance

If you do not use the air conditioner for a long period, such as during winter, it may not give the best performance when you start using it again. To help maintain optimum performance and durability of your air conditioner, it needs to be run periodically. Operate the air conditioner at least once a month for one minute with the engine idling. This circulates the refrigerant and oil and helps protect the internal components.

NOTE:

Your vehicle uses the air conditioning refrigerant HFC-134a, commonly called "R-134a". Only R-134a should be used in your vehicle.

CAUTION

Using the wrong refrigerant may damage your air conditioning system. Use R-134a only. Do not mix or replace the R-134a with other refrigerants.

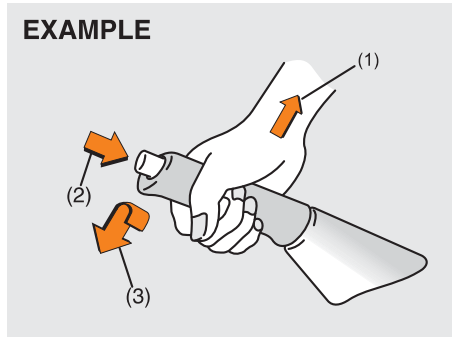
OTHER CONTROLS AND EQUIPMENT

Parking Brake Lever	4-1
Pedal	4-2
Gearshift Lever	4-2
Fuel Filler Cap	4-3
Seat Armrest (if equipped)	4-4
Sun Visor	4-4
Interior Light Switch	4-5
Spot Light (if equipped)	4-5
Assist Grips (if equipped)	4-6
Engine Hood	4-6
Cup Holder and Storage Area (if equipped)	4-7
Frame Hooks	4-7
Tire Changing Tool	4-8
Front Seat Back Pocket (if equipped)	4-10
Trunk Light	4-10
Radio Antenna (if equipped)	4-10

OTHER CONTROLS AND EQUIPMENT

55KS0-74E

Parking Brake Lever



54G039

- (1) To set
- (2) To release
- (3) To release

The parking brake lever is located between the seats. To set the parking brake, hold the brake pedal down and pull the parking brake lever all the way up. To release the parking brake, hold the brake pedal down, pull up slightly on the parking brake lever, push the button on the end of the lever with your thumb, and lower the lever to its original position.

⚠ WARNING

- Never drive your vehicle with the parking brake on: rear brake effectiveness can be reduced from overheating, brake life may be shortened, or permanent brake damage may result.
- If the parking brake does not hold the vehicle securely or does not fully release, have your vehicle inspected immediately by a MARUTI SUZUKI authorized dealer.

⚠ WARNING

Always set the parking brake fully before leaving your vehicle or it may move, causing injury or damage. When parking, make sure the gear-shift lever is in 1st gear or "R" (Reverse). Remember, even though the transmission is in gear or in Park, you must set the parking brake fully.

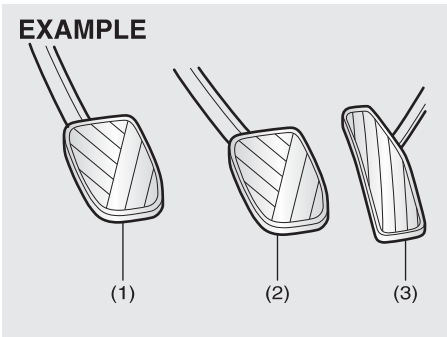
⚠ WARNING

When parking the vehicle in extremely cold weather, the following procedure should be used:

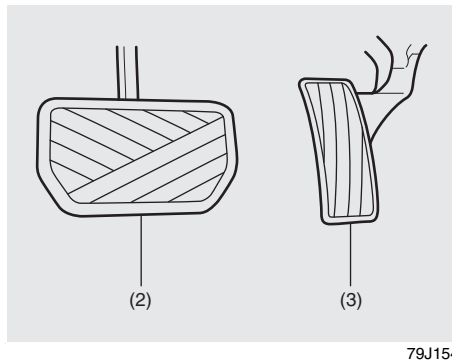
- 1) Set the parking brake.
- 2) Manual transmission – turn off the engine, then shift into reverse or first gear.
Automatic transmission – shift into "P" (Park) and turn off the engine.
- 3) Get out of the vehicle and put chocks under the wheels.
- 4) Release the parking brake.

When you return to your vehicle, you must remember to first set the parking brake, then remove the wheel chocks.

Pedal
Manual Transmission



Automatic transmission



Clutch Pedal (1)
For Manual Transmission

The clutch pedal is used to disengage the drive to the wheels when starting the engine, stopping, or shifting the gearshift lever. Depressing the pedal disengages the clutch.

CAUTION

Do not drive with your foot resting on the clutch pedal. It could result in excessive clutch wear, clutch damage, or unexpected loss of engine braking.

Brake Pedal (2)

Your vehicle is equipped with front disc brakes and rear drum brakes. Depressing the brake pedal applies both sets of brakes.

You may hear occasional brake squeal when you apply the brakes. This is a normal condition caused by environmental factors such as cold, wet, snow, etc.

⚠ WARNING

If brake squeal is excessive and occurs each time the brakes are applied, you should have the brakes checked by your MARUTI SUZUKI dealer.

⚠ WARNING

Do not “ride” the brakes by applying them continuously or resting your foot on the pedal. This will result in overheating of the brakes which could cause unpredictable braking action, longer stopping distances, or permanent brake damage.

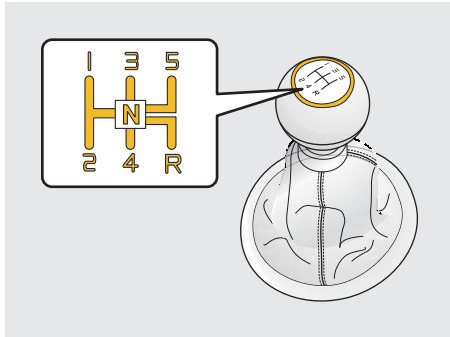
Accelerator Pedal (3)

This pedal controls the speed of the engine. Depressing the accelerator pedal increases power output and speed.

OTHER CONTROLS AND EQUIPMENT

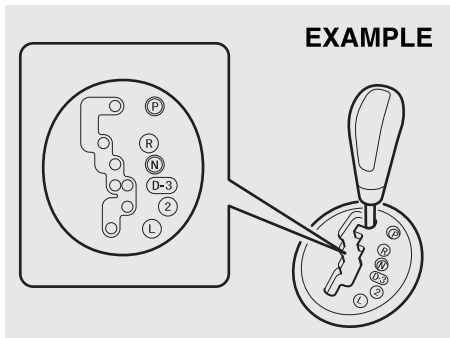
55KS0-74E

Gearshift Lever
Manual transmission



63J051

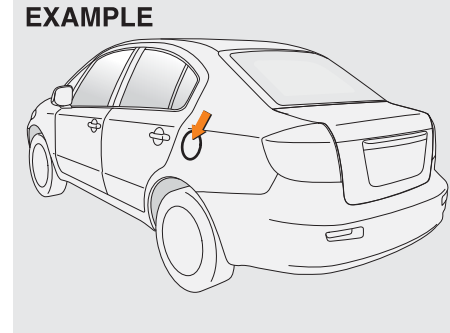
Automatic transmission



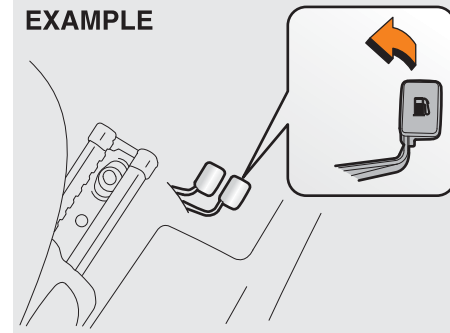
63J051

Your vehicle is equipped with either a manual transmission or automatic transmission. The gearshift lever for the each transmission type is shown in the illustrations. For details on how to use the transmission, refer to "Using the Transmission" in the "OPERATING YOUR VEHICLE" section.

Fuel Filler Cap



56KN029



55KS024

55KS0-74E

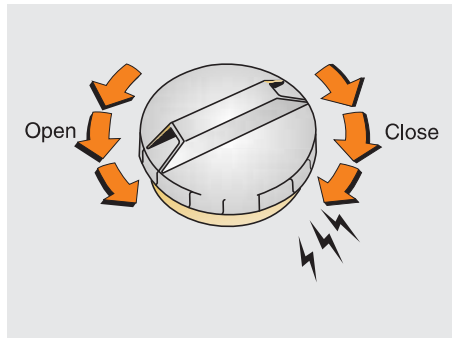
The fuel filler cap is located on the left rear side of the vehicle. The fuel filler lid can be unlocked by pulling up the opener lever located on the outboard side of the driver's seat and locked by simply closing the lid.

⚠ WARNING

Remove the fuel filler cap slowly. The fuel may be under pressure and may spray out, causing injury.

⚠ WARNING

Petrol is extremely flammable. Do not smoke when refueling, and make sure there are no open flames or sparks in the area.



60G069

The fuel tank filler cap has a "screw-on ratcheting type" feature.

- To remove, turn the cap counterclockwise. Turn the cap slowly to allow any residual pressure to escape.
- To install, turn the cap clockwise and tighten it securely until you hear several clicks. The "ratcheting" sound indicates that the cap is on properly.

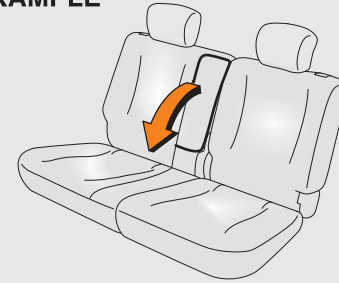
⚠ WARNING

If you need to replace the fuel cap, use a MARUTI genuine cap. Use of an improper cap can result in a malfunction of the fuel system or emission control system. It may also result in fuel leakage in the event of an accident.

OTHER CONTROLS AND EQUIPMENT

Seat Armrest (if equipped)

EXAMPLE



54G315

Pull down the armrest to use. When the armrest is not used, push it back in.

OTHER CONTROLS AND EQUIPMENT

55KS0-74E

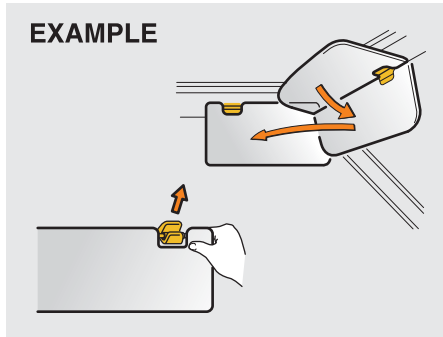
⚠ WARNING

In an accident or sudden stop, the rear seat armrest could fall forward. If there is a child in a rear-facing child restraint in the rear center seating position, the falling armrest could injure the child. Do not install a rear-facing child restraint in the rear center seating position.

CAUTION

To avoid damage to the armrest, do not lean onto it or allow a child ride on it.

Sun Visor

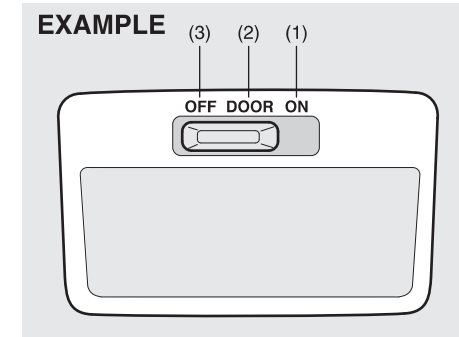


The sun visors can be pulled down to block glare coming through the windshield, or they can be unhooked and turned to the side to block glare coming through the side window.

CAUTION

When unhooking and hooking a sun visor, be sure to handle it by the hard plastic parts or the sun visor can be damaged.

Interior Light Switch

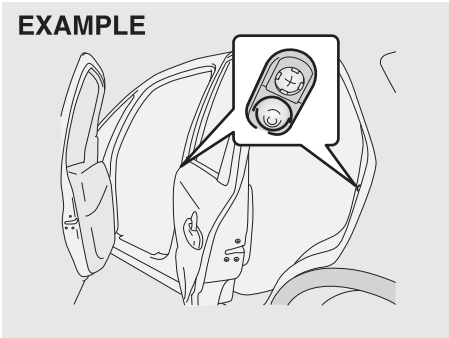


This light switch has three positions which function as described below:

- (1) The light comes on and stays on regardless of whether the door is open or closed.
- (2) The light comes on when the door is opened.
After closing all doors, the light will remain on for about 15 seconds and then fade out. If you insert the key into the ignition switch during that time, the light will start to fade out immediately.
After removing the key from the ignition switch, the light will turn on for about 15 seconds and then fade out.
- (3) The light remains off even when the door is opened.

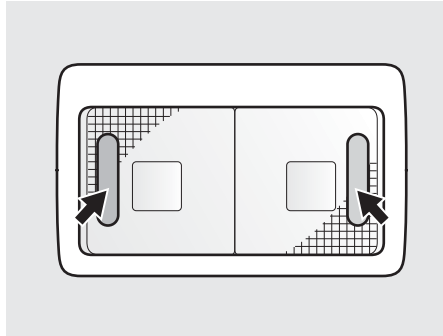
55KS0-74E

OTHER CONTROLS AND EQUIPMENT



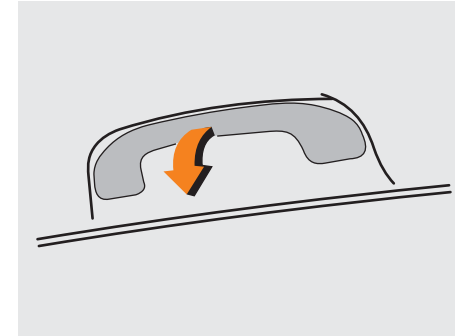
NOTE:
The number of doors involved in the lighting operation of the interior light depends on the vehicle specification. If there is a switch (rubber projection) at the door opening as shown, the door is involved in the lighting operation.

Spot Light (if equipped)



Push the switch to turn on the light and push it again to turn off the light.

Assist Grips (if equipped)



Assist grips are provided for passenger convenience.

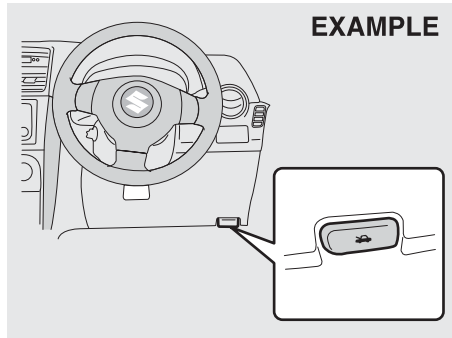
CAUTION

To avoid damaging the assist grip and the molded headlining, do not hang down the assist grip.

OTHER CONTROLS AND EQUIPMENT

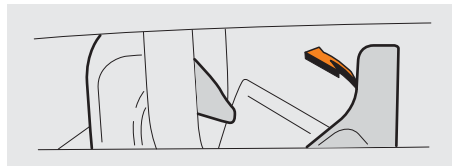
55KS0-74E

Engine Hood

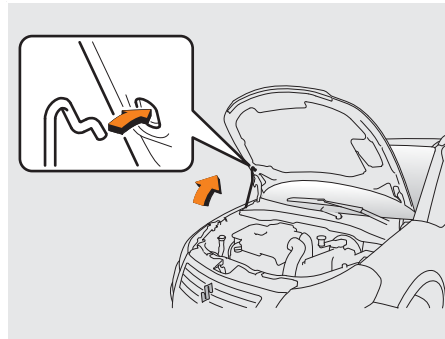


To open the engine hood:

- 1) Pull the hood release handle located on the outboard side of the driver's side of the instrument panel. This will disengage the engine hood lock halfway.



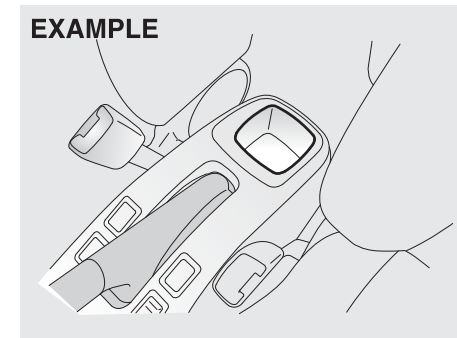
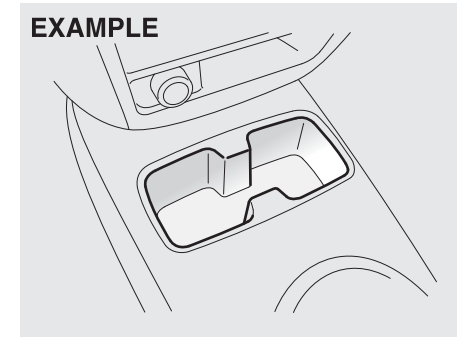
- 2) Push the under-hood release lever sideways with your finger, as shown in the illustration. While pushing the lever, lift up the engine hood.



- 3) Continue to lift up the hood until it is high enough to support with the prop rod.

⚠ WARNING
Make sure the hood is fully closed and latched before driving. If it is not, it can fly up unexpectedly during driving, obstructing your view and resulting in an accident.

Cup Holder and Storage Area (if equipped)



The cup holders are provided in the center console.

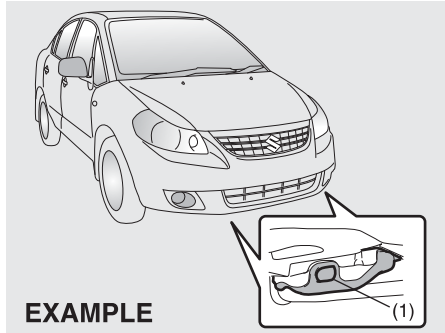
55KS0-74E

OTHER CONTROLS AND EQUIPMENT

⚠ WARNING
Do not use the cup holder to hold cups containing hot liquids, or sharp-edged, hard or breakable objects. Objects in the cup holder may be thrown about during a sudden stop or impact, and could cause personal injury.

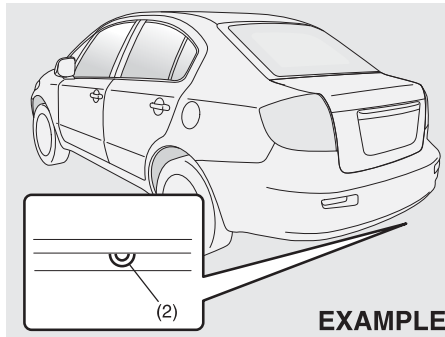
Frame Hooks

Front (1)



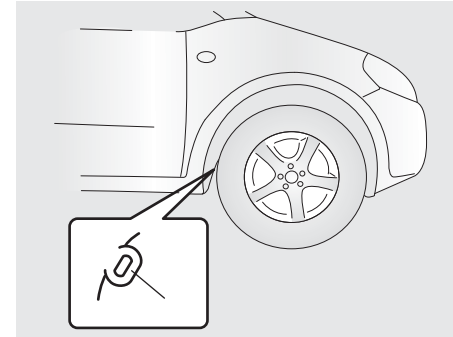
EXAMPLE

Rear (2)

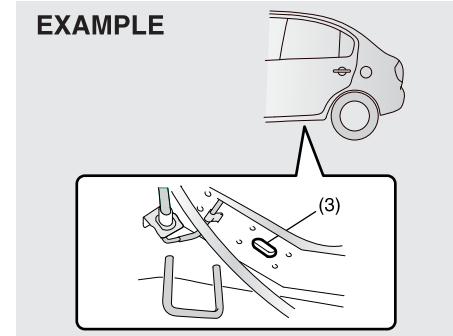


EXAMPLE

Side (3) (if equipped)



EXAMPLE



OTHER CONTROLS AND EQUIPMENT

55KS0-74E

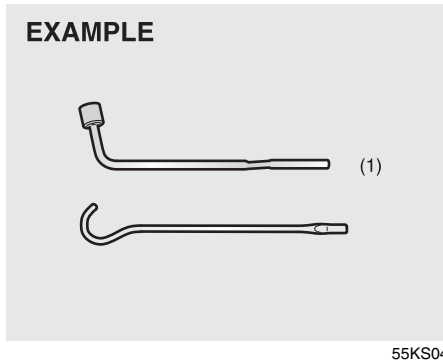
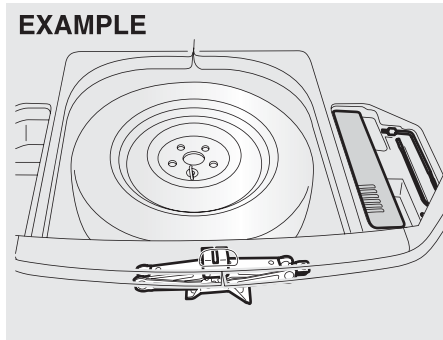
Frame hooks are provided on the front (1), rear (2) and side (3) (if equipped) of the vehicle. The hooks (1) and (2) are used for emergency situations. The hooks (3) (if equipped) are used for trailer/train shipping purposes.

To tow your vehicle on the road or highway, follow the instruction of "Towing" in "EMERGENCY SERVICE" or "VEHICLE LOADING AND TOWING" section.

⚠ WARNING
 Do not use the frame hooks to tow another vehicle or to have your vehicle towed on the road or highway. The hooks (1) and (2) are designed for use in emergency situations only, such as if your vehicle or another vehicle gets stuck in deep mud or snow. The hooks (3) (if equipped) are provided for trailer/ train shipping purposes.

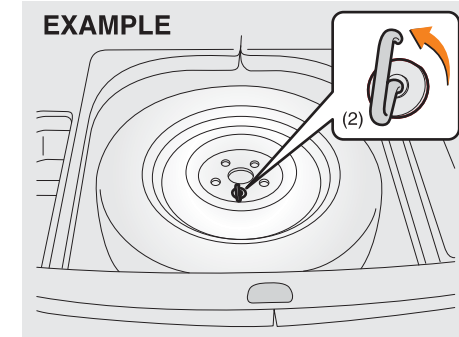
CAUTION
 Never use the hooks (1) and (2) for trailer/train shipping purposes to prevent damage to the vehicle.

Tyre Changing Tool



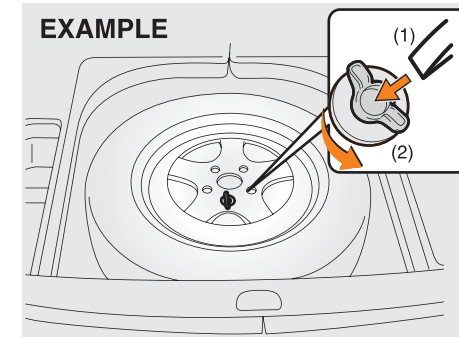
The jack, wheel brace (1) and jack crank are stowed in the trunk.

Type 1



To remove the spare tyre, turn its bolt (2) counterclockwise and remove it.

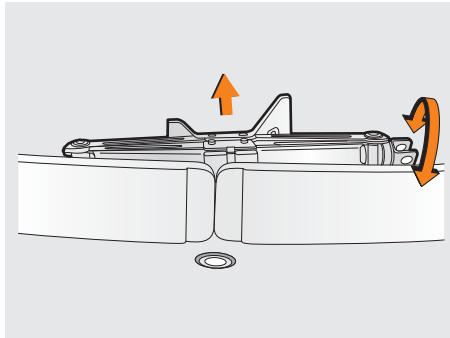
Type 2



Folding Rear Seats: 3 Seat Armrest: 3

55KS0-74E

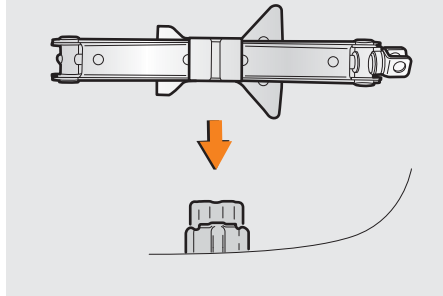
To remove the spare tyre, turn its bolt (2) counterclockwise by using the flat end of the wheel brace (1) and remove the bolt.



56KN036

To remove the jack, turn its shaft counterclockwise and pull the jack out of the storage bracket.

EXAMPLE



56KN037

To stow the jack, place it in the storage bracket and turn the shaft clockwise until the jack is securely held in place.

⚠ WARNING

The jack should be used only to change wheels. It is important to read the jacking instructions in the "EMERGENCY SERVICE" section of this manual before attempting to use the jack.

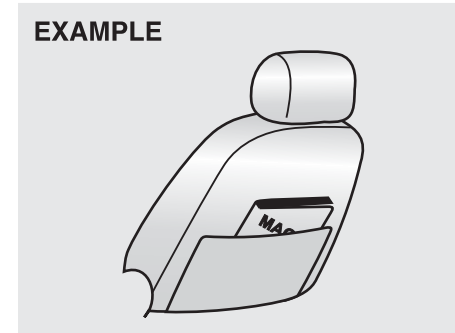
⚠ WARNING

After using the tyre changing tools, be sure to stow them securely or they can cause injury if an accident occurs.

OTHER CONTROLS AND EQUIPMENT

Front Seat Back Pocket (if equipped)

EXAMPLE



60B119

This pocket is provided for holding light and soft things such as gloves, newspapers or magazines.

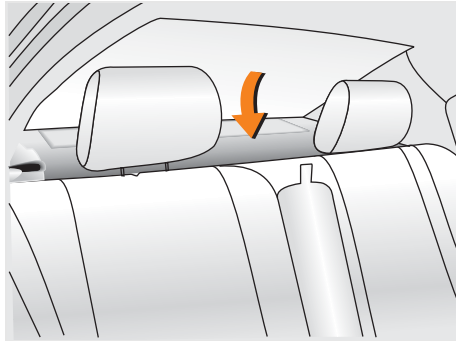
⚠ WARNING

Do not put hard or breakable objects in the pocket. If an accident occurs, objects such as bottles, cans, etc. can injure the occupants in the rear seat.

OTHER CONTROLS AND EQUIPMENT

55KS0-74E

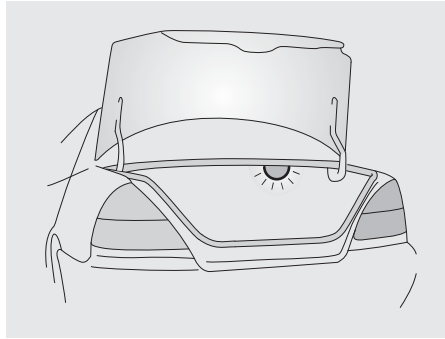
Trim Partition



⚠ WARNING

Do not carry items on top of the Trim partition cover, even if they are small and light. Objects on top of the cover could be thrown about in an accident, causing injury, or could obstruct the driver's rear view.

Trunk Light



56KN038

When you open the trunk lid, the trunk light comes on and remains on as long as you keep the lid open.

CAUTION

Do not leave the trunk lid open for a long time, or the battery will discharge.

Radio Antenna (if equipped)

The radio antenna wire is printed inside the rear window.

CAUTION

- Do not attach any metal objects to the rear window glass, or place metallic film near it. Either of these conditions may cause poor reception or noise.
- When cleaning the inside of the rear window, be careful not to scratch or damage the rear window antenna. Wipe the rear window lightly along the antenna.

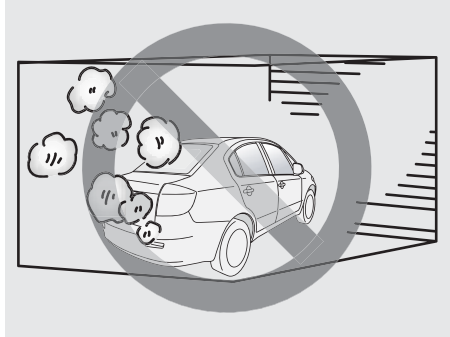
OPERATING YOUR VEHICLE

Exhaust Gas Warning	5-1
Daily Inspection Checklist	5-1
Engine Oil Consumption	5-2
Starting the Engine	5-3
Using the Transmission	5-4
Braking	5-7
Running-in	5-9
Catalytic Converter (if equipped)	5-10
Improving Fuel Economy	5-11

OPERATING YOUR VEHICLE

55KS0-74E

Exhaust Gas Warning



52D334

⚠ WARNING

Avoid breathing exhaust gases. Exhaust gases contain carbon monoxide, a potentially lethal gas that is colorless and odorless. Since carbon monoxide is difficult to detect by itself, be sure to take the following precautions to help prevent carbon monoxide from entering your vehicle.

- Do not leave the engine running in garages or other confined areas.

(Continued)

⚠ WARNING

(Continued)

- Do not park with the engine running for a long period of time, even in an open area. If it is necessary to sit for a short time in a parked vehicle with the engine running, make sure the air intake selector is set to "FRESH AIR" and the blower is at high speed.
- Avoid operating the vehicle with the tail gate or trunk open. If it is necessary to operate the vehicle with the tail gate or trunk open, make sure all windows are closed, and the blower is at high speed with the air intake selector set to "FRESH AIR".
- To allow proper operation of your vehicle's ventilation system, keep the air inlet grille in front of the windshield clear of snow, leaves or other obstructions at all times.
- Keep the exhaust tailpipe area clear of snow and other material to help reduce the buildup of exhaust gases under the vehicle. This is particularly important when parked in blizzard conditions.
- Have the exhaust system inspected periodically for damage and leaks. Any damage or leaks should be repaired immediately.

Daily Inspection Checklist

Before Driving



60A187S

- 1) Make sure that windows, mirrors, lights and reflectors are clean and unobstructed.
- 2) Visually check the tyres for the following points:
 - the depth of the tread groove
 - abnormal wear, cracks and damage
 - loose wheel nuts
 - existence of foreign material such as nails, stones, etc.Refer to "tyres" in "INSPECTION AND MAINTENANCE" section for details.
- 3) Look for fluid and oil leaks.

NOTE:

It is normal for water to drip from the air conditioning system after use.

Daily Inspection Checklist: NO Engine Oil Consumption:

55KS0-74E

- 4) Make sure the hood is fully closed and latched.
- 5) Check the headlights, turn signal lights, brake lights and horn for proper operation.
- 6) Adjust the seat and adjustable head restraint (if equipped).
- 7) Check the brake pedal and the parking brake lever.
- 8) Adjust the mirrors.
- 9) Make sure that you and all passengers have properly fastened your seat belts.
- 10) Make sure that all warning lights come on as the key is turned to the "ON" or "START" position.
- 11) Check all gauges.
- 12) Make sure that the BRAKE SYSTEM WARNING light turns off when the parking brake is released.

Once a week, or each time you fill your fuel tank, perform the following under-hood checks:

- 1) Engine oil level
- 2) Coolant level
- 3) Brake fluid level
- 4) Windshield washer fluid level
- 5) Battery solution level

- 6) Hood latch operation
Pull the hood release handle inside the vehicle. Make sure that you cannot open the hood all the way without releasing the secondary latch. Be sure to close the hood securely after checking for proper latch operation. See the item "All latches, hinges and locks" of "CHASSIS AND BODY" in the "Periodic Maintenance Schedule" in the "INSPECTION AND MAINTENANCE" section for lubrication schedule.

WARNING

Make sure the hood is fully closed and latched before driving. If it is not, it can fly up unexpectedly during driving, obstructing your view and resulting in an accident.

Once a month, or each time you fill your fuel tank, check the tyre pressure using a tyre pressure gauge. Also check the tyre pressure of the spare tyre.

OPERATING YOUR VEHICLE

Engine Oil Consumption

It is normal for the engine to consume some engine oil during normal vehicle operation.

The amount of engine oil consumed depends on the viscosity of the oil, the quality of the oil and the conditions the vehicle is driven under.

More oil is consumed during high-speed driving and when there is frequent acceleration and deceleration. Under high loads, your engine also will consume more oil.

A new engine also consumes more oil, since its pistons, piston rings and cylinder walls have not yet become conditioned. New engines reach the normal level of oil consumption only after approximately 5000 km (3000 miles) driving.

When judging the amount of oil consumption, note that the oil may become diluted and make it difficult to accurately judge the true oil level.

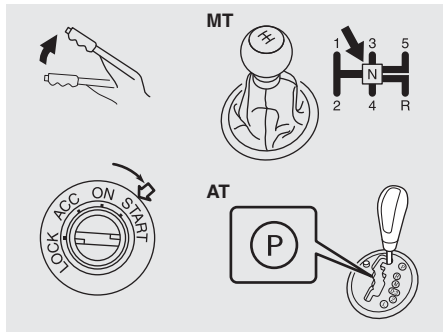
As an example, if a vehicle is used for repeated short trips, and consumes a normal amount of oil, the dipstick may not show any drop in the oil level at all, even after 1000 km (600 miles) or more of driving. This is because the oil is gradually becoming diluted with fuel or moisture, making it appear that the oil level has not changed.

OPERATING YOUR VEHICLE

55KS0-74E

You should also be aware that the diluting ingredients evaporate out when the vehicle is subsequently driven at high speeds, such as on an expressway, making it appear that oil is excessively consumed after high-speed driving.

**Starting the Engine
Before Starting the Engine**



55KS046

- 1) Make sure the parking brake is set fully.
- 2) Manual transmission – Shift into “N” (Neutral) and depress the clutch pedal all the way to the floor. Hold it while starting the engine.
Automatic transmission – If the gear-shift lever is not in “P” (Park) position, shift into “P” (Park). (If you need to restart the engine while the vehicle is moving, shift into “N”).

NOTE:
Automatic transmission vehicles have a starter interlock device which is designed to keep the starter from operating if the transmission is in any of the drive positions.

⚠ WARNING

Make sure that the parking brake is set fully and the transmission is in Neutral (or Park for vehicles with an automatic transmission) before attempting to start the engine.

Starting a Cold and Warm Engine

With your foot off the accelerator pedal, crank the engine by turning the ignition key to “START”. Release the key when the engine starts.

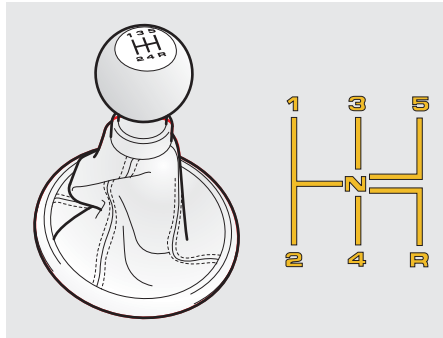
CAUTION
<ul style="list-style-type: none"> • Stop turning the starter immediately after the engine has started or the starter system can be damaged. • Do not crank the engine for more than 15 seconds at a time. If the engine doesn't start on the first try, wait about 15 seconds before trying again.

If the engine does not start after 15 seconds of cranking, wait about 15 seconds, then press down the accelerator pedal to 1/3 of its travel and try cranking the engine again. Release the key and accelerator pedal when the engine starts.

If the engine still does not start, try holding the accelerator pedal all the way to the floor while cranking. This should clear the engine if it is flooded.

Using the Transmission

Manual Transmission



79J002

Starting off

To start off, push in the clutch pedal and shift into 1st gear. After releasing the parking brake, gradually release the clutch. When you hear a change in the engine's sound, slowly press the accelerator while continuing to gradually release the clutch.

Shifting

All forward gears are synchronized, which provides for quiet, easy shifting. Always push in the clutch pedal fully before shifting gears.

Downshifting maximum allowable speeds

For Petrol Engine

Downshifting	Km/h
2nd to 1st	13
3rd to 2nd	49
4th to 3rd	72
5th to 4th	225

For Diesel engine

Downshifting	Km/h
2nd to 1st	9
3rd to 2nd	34
4th to 3rd	72
5th to 4th	157

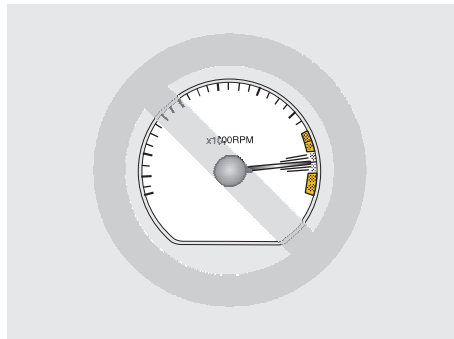
NOTE: (*)

You may not accelerate to the maximum allowable speed because of the driving situation and/or the vehicle condition.

CAUTION
<ul style="list-style-type: none"> • When downshifting to a lower gear, make sure not to operate with the speed faster than the maximum allowable speeds for the next lower gear, or severe engine damage can result.

OPERATING YOUR VEHICLE

55KS0-74E



54G263

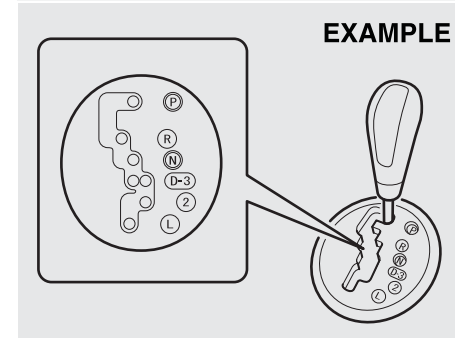
CAUTION

- To help avoid clutch damage, do not use the clutch pedal as a footrest while driving or use the clutch to keep the vehicle stationary on a slope. Depress the clutch fully when shifting.
- When shifting or starting off, do not race the engine. Racing the engine can shorten engine life and affect smooth shifting.

WARNING

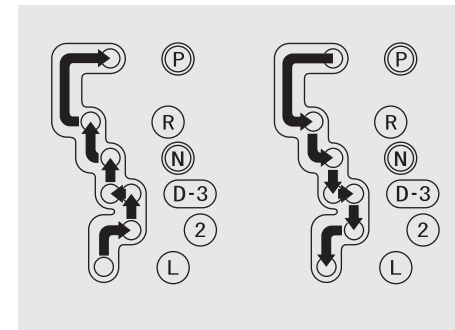
- Reduce your speed and downshift to a lower gear before going down a long or steep hill. A lower gear will allow the engine to provide braking. Avoid riding the brakes or they may overheat, resulting in brake failure.
- When driving on slippery roads, be sure to slow down before downshifting. Excessive and or sudden changes in engine speed may cause loss of traction, which could cause you to lose control.
- Make sure that the vehicle is completely stationary before you shift into reverse.

4-Speed Automatic Transmission



55KS045

Gearshift lever



55KS048

55KS0-74E

The gearshift lever is designed so that it cannot be shifted out of the “P” position unless the ignition switch is in the “ON” position and the brake pedal is depressed.

▲ WARNING

Always depress the brake pedal before shifting from “P” (Park) (or “N” (Neutral) if the vehicle is stationary) to a forward or reverse gear, to help prevent the vehicle from moving unexpectedly when you shift.

Use the gearshift lever positions as described below:

P (Park)

Use this position to lock the transmission when the vehicle is parked or when starting the engine. Shift into Park only when the vehicle is completely stationary.

R (Reverse)

Use this position to reverse the vehicle from stop. Make sure that vehicle is completely stationary before shifting into Reverse.

N (Neutral)

Use this position for starting the engine if the engine stalls and you need to restart it while the vehicle is moving. You may also shift into Neutral and depress the brake pedal to hold the vehicle stationary during idling.

D (Drive)

Use this position for all normal driving.

With the gearshift lever in “D” range you can get an automatic upshift by pressing the accelerator pedal. The higher the vehicle speed is, the more you need to press the accelerator pedal to get a down-shift.

3 (Low 3)

Use this position for driving on moderate uphill and downhill gradients. The engine braking effect on moderate downhills can be used in this position. The transmission shifts up only to 3rd gear.

2 (Low 2)

Use this position to provide extra power when climbing hills, or to provide engine braking when going down hills.

L (Low 1)

Use this position to provide maximum power when climbing steep hills or driving through deep snow or mud, or to provide maximum engine braking when going down steep hills.

NOTE:

If you move the gearshift lever to a lower gear while driving faster than the maximum allowable speed for the lower gear, the transmission will not actually downshift until your speed drops below the maximum speed for the lower gear.

CAUTION

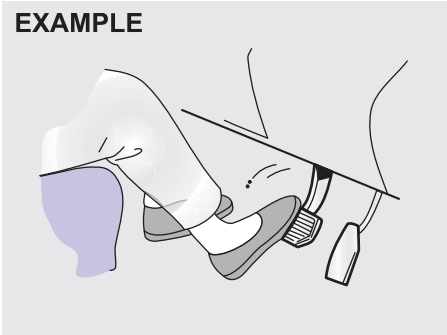
Be sure to take the following precautions to help avoid damage to the automatic transmission:

- **Make sure that the vehicle is completely stationary before shifting into “P” or “R”.**
- **Do not shift from “P” or “N” to “R”, “D”, “3”, “2”, or “L” when the engine is running above idle speed.**
- **Do not rev the engine with the transaxle in a drive position (“R”, “D”, “3”, “2”, or “L”) and the front wheels not moving.**
- **Do not use the accelerator to hold the vehicle on a hill. Use the vehicle’s brakes.**

OPERATING YOUR VEHICLE

55KS0-74E

Braking



60G165S

The distance needed to bring any vehicle to a halt increases with the speed of the vehicle. The braking distance needed, for example, at 60 km/h (37 mph) will be approximately 4 times greater than the braking distance needed at 30 km/h (19 mph). Start to brake the vehicle when there is plenty of distance between your vehicle and the stopping point, and slow down gradually.

⚠ WARNING

If water gets into the brake drums, brake performance may become poor and unpredictable. After driving through water or washing the underside of the vehicle, test the brakes while driving at a slow speed to see if they have maintained their normal effectiveness. If the brakes are less effective than normal, dry them by repeatedly applying the brakes while driving slowly until the brakes have regained their normal effectiveness.

⚠ WARNING

Even without reserve power in the brake system, you can still stop the vehicle by pressing the brake pedal harder than normally required. However, the stopping distance may be longer.

Brake Assist System (if equipped)

When you slam the brakes on, the brake assist system judges as an emergency stop and provides more powerful braking for a driver who cannot hold down the brake pedal firmly.

NOTE:

If you depress the brakes forcefully, you may hear a clicking sound in the brake pedal. This is normal and indicates that the brake assist system is activated properly.

Power Assisted Brakes (if equipped)

Your vehicle has power assisted brakes. If power assistance is lost due to a stalled engine or other failures, the system is still fully operational on reserve power and you can bring the vehicle to a complete stop by pressing the brake pedal once and holding it down. The reserve power is partly used up when you depress the brake pedal and reduces each time the pedal is pressed. Apply smooth and even pressure to the pedal. Do not pump the pedal.

**Anti-Lock Brake System (ABS)
(if equipped)**

ABS will help you avoid skidding by electronically controlling braking pressure. It will also help you maintain steering control when braking on slippery surfaces or when braking hard.

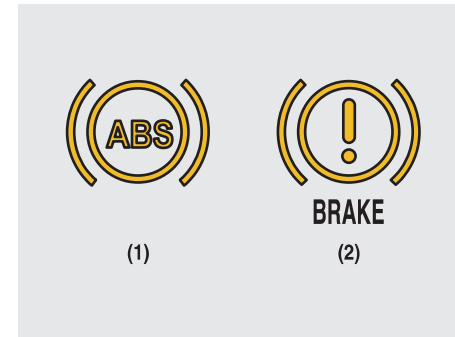
The ABS works automatically, so you do not need any special braking technique. Just push the brake pedal down without pumping. The ABS will operate whenever it senses that the wheels are locking up. You may feel the brake pedal moves a little while the ABS is operating.

NOTE:

The ABS will not work if vehicle speed is under about 6 km/h (4 mph).

⚠ WARNING

- On some types of loose surfaces (such as gravel, snow-covered roads, etc.) the stopping distance required for an ABS-equipped vehicle may be slightly greater than for a comparable vehicle with a conventional brake system. With a conventional brake system, skidding tyres are able to “plow” the gravel or snow layer, shortening the stopping distance, ABS minimizes this resistance effect. Allow for extra stopping distance when driving on loose surfaces.
- On regular paved roads, some drivers may be able to obtain slightly shorter stopping distances with conventional brake systems than with ABS.
- In both of the above conditions, ABS will still offer the advantage of helping you maintain directional control. However, remember that ABS will not compensate for bad road or weather conditions or poor driver judgment. Use good judgment and do not drive faster than conditions will safely allow.



65D451

- (1) ABS warning light Type 1
- (2) Brake system warning light

⚠ WARNING

- If the ABS warning light (1) on the instrument panel comes on and stays on while driving, there may be a problem with the ABS system. Ask your MARUTI SUZUKI dealer to inspect the ABS system immediately. If the ABS system becomes inoperative, the brake system will function as an ordinary brake system that has no ABS.

(Continued)

OPERATING YOUR VEHICLE

55KS0-74E

⚠ WARNING

(Continued)

- If the ABS warning light (1) and the Brake system warning light (2) on the instrument panel simultaneously stays on or comes on when driving, both anti-lock function and rear brake force control function (Proportioning valve function) of the ABS system may have failed. If so, the rear wheels may easily skid or the vehicle can even spin in the worst case when braking on a slippery road or when hard braking even on a dry paved road. Ask your MARUTI SUZUKI dealer to inspect the ABS system immediately. Drive carefully, avoiding hard braking as much as possible.

How the ABS Works

A computer continuously monitors wheel speed. The computer compares the changes in wheel speed when braking. If the wheels slow suddenly, indicating a skidding situation, the computer will change braking pressure several times each second to prevent the wheels from locking. When you start your vehicle or when you accelerate after a hard stop, you may hear a momentary motor of clicking noise as the system resets or checks itself.

⚠ WARNING

The ABS may not work properly if tyres or wheels other than those specified in the owner's manual are used. This is because the ABS works by comparing changes in wheel speed. When replacing tyres or wheels, use only the size and type specified in this owner's manual.

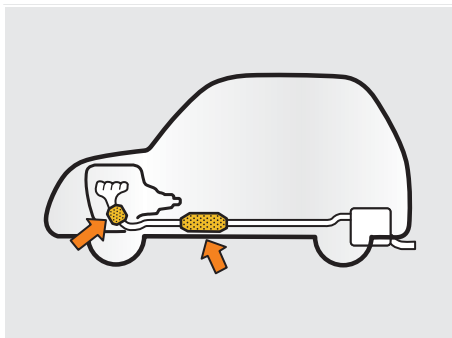
Running-in

CAUTION

The future performance and reliability of the engine depends on the care and restraint exercised during its early life. It is especially important to observe the following precautions during the initial 960 km (600 miles) of vehicle operation.

- After starting, do not race the engine. Warm it up gradually.
- Avoid prolonged vehicle operation at a constant speed. Moving parts will break in better if you vary your speed.
- Start off from a stop slowly. Avoid full throttle starts.
- Avoid hard braking, especially during the first 320 km (200 miles) of driving.
- Do not drive slowly with the transmission in a high gear.
- Drive the vehicle at moderate engine speeds.
- Do not tow a trailer during the first 960 km (600 miles) of vehicle operation.

Catalytic Converter (if equipped)



54G236

The purpose of the catalytic converter is to minimize the amount of harmful pollutants in your vehicle's exhaust. Use of leaded fuel in vehicles equipped with catalytic converters is prohibited, because lead deactivates the pollutant-reducing components of the catalyst system.

The converter is designed to last the life of the vehicle under normal usage and when unleaded fuel is used. No special maintenance is required on the converter. However, it is very important to keep the engine properly tuned. Engine misfiring, which can result from an improperly tuned engine, may cause overheating of the catalyst. This may result in permanent heat

damage to the catalyst and other vehicle components.

CAUTION

To minimize the possibility of catalyst or other vehicle damage:

- Maintain the engine in the proper operating condition.
- In the event of an engine malfunction, particularly one involving engine misfire or other apparent loss of performance, have the vehicle serviced promptly.
- Do not turn off the engine or interrupt the ignition when the Transmission is in gear and the vehicle is in motion.
- Do not try to start the engine by pushing or towing the vehicle, or coasting down a hill.
- Do not idle the engine with any spark plug wires disconnected or removed, such as during diagnostic testing.
- Do not idle the vehicle for prolonged periods if idling seems rough or there are other malfunctions.
- Do not allow the fuel tank to get near the empty level.



54G584S

⚠ WARNING

Be careful where you park and drive; the catalytic converter and other exhaust components can get very hot. As with any vehicle, do not park or operate this vehicle in areas where combustible materials such as dry grass or leaves can come in contact with a hot exhaust system.

Improving Fuel Economy

The following instructions will help you improve fuel economy.

Avoid excessive idling

If you are to wait for more than a minute while you are parked, stop the engine and start it again later. When warming up a cold engine, allow the engine to idle until the temperature gauge pointer comes up to the "C" position (if the idling is not prohibited). In this position, the engine is sufficiently warm for starting off.

Avoid "fast" starts

Fast starts away from lights or stop signs will consume fuel unnecessarily and shorten engine life. Start off slowly.

Avoid unnecessary stops

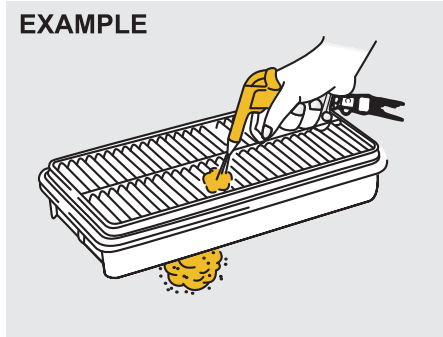
Avoid unnecessary deceleration and stopping. Try to maintain a slow, steady speed whenever possible. Slowing down and then accelerating again uses more fuel.

Keep a steady cruising speed

Keep as constant a speed as road and traffic conditions will permit.

Keep the air cleaner clean

EXAMPLE



60A183S

A dirty air cleaner will cause the system to supply too much fuel to the engine for the amount of air being supplied. The result is waste of fuel due to incomplete combustion.

Keep weight to a minimum

The heavier the load, the more fuel the vehicle consumes. Take out any luggage or cargo when it is not necessary.

Keep tyre pressures correct

Underinflation of the tyres can waste fuel due to increased running resistance of the tyres. Keep your tyres inflated to the correct pressure shown on the label on the driver's side door or the driver's door lock pillar.

DRIVING TIPS

Highway Driving	6-1
Driving on Hills	6-1
Driving on Slippery Roads	6-2

DRIVING TIPS

55KS0-74E



52D078S

⚠ WARNING

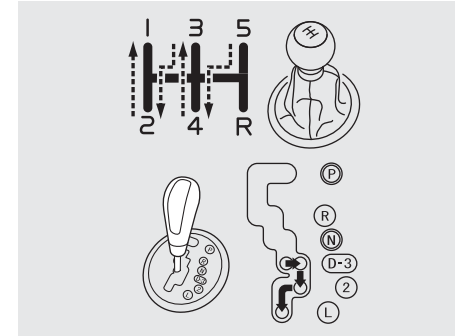
- **Wear Your Seat Belts at All Times.** Even though air bags are equipped at the front seating positions, the driver and all passengers should be properly restrained at all times, using the seat belts provided. Refer to the “Seat Belts and Child Restraint Systems” section for instructions on proper use of the seat belts.
- **Never drive while under the influence of alcohol or other drugs.** Alcohol and drugs can seriously impair your ability to drive safely, greatly increasing the risk of injury to yourself and others. You should also avoid driving when you are tired, sick, irritated, or under stress.

Highway Driving

When driving at highway speeds, pay attention to the following:

- Stopping distance progressively increases with vehicle speed. Apply the brakes far enough ahead of the stopping point to allow for the extra stopping distance.
- On rainy days, “Hydroplaning” can occur. “Hydroplaning” is the loss of direct contact between the road surface and the vehicle’s tyres due to a water film forming between them. Steering or braking the vehicle while “Hydroplaning” can be very difficult, and loss of control can occur. Keep speed down when the road surface is wet.
- At high speeds, the vehicle may be affected by side winds. Therefore, reduce speed and be prepared for unexpected buffeting, which can occur at the exits of tunnels, when passing by a cut of a hill, or when being overtaken by large vehicles, etc.

Driving on Hills



55KS049

- When climbing steep hills, the car may begin to slow down and show a lack of power. If this happens, you should shift to a lower gear so that the engine will again be operating in its normal power range. Shift rapidly to prevent the car from losing momentum.
- When driving down a hill, the engine should be used for braking by shifting to next lower gear. (Do this with EITHER an automatic or manual transmission.)

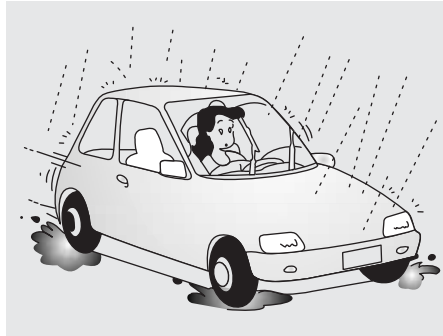
⚠ WARNING

Try not to hold the brake pedal down too long or too often while going down a steep or long hill. This could cause the brakes to overheat, resulting in reduced braking efficiency. Failure to take this precaution could result in loss of vehicle control.

CAUTION

When descending a down hill, NEVER turn the ignition key to the "OFF" position. Emission control system damage may result.

Driving on Slippery Roads



60G089S

Under wet road conditions you should drive at a lower speed than on dry roads due to possible slippage of tyres during braking. When driving on icy, snow-covered, or muddy roads, reduce your speed and avoid sudden acceleration, abrupt braking, or sharp steering movements.

If Your Vehicle Gets Stuck

If your vehicle gets stuck in snow, mud, or sand, follow the directions below:

- 1) Change back and forth between first gear and reverse. This will create a rocking motion which may give you enough momentum to free the vehicle. Press gently on the accelerator to keep wheel spin to a minimum. Remove your foot from the accelerator while shifting. Do not race the engine. Excessive wheel spin will cause the tyres to dig deeper, making it more difficult to free the vehicle.
- 2) If your vehicle remains stuck after a few minutes of rocking, get another vehicle to pull your vehicle out.

⚠ WARNING

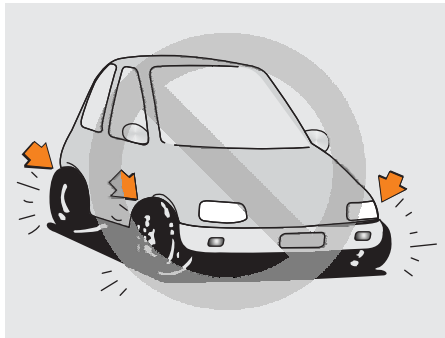
Do not allow anyone to stand near the vehicle when you are rocking it, and do not spin the wheels faster than an indicated 40 km/h (25 mph) on the speedometer. Personal injury and/ or vehicle damage may result from spinning the wheels too fast.

CAUTION

Do not continue rocking the vehicle for more than a few minutes. Prolonged rocking can cause engine overheating or transmission damage.

DRIVING TIPS

55KS0-74E



54G638S

⚠ WARNING

In addition to following the driving tips in this section, it is important to observe the following precautions.

- Make sure your tyres are in good condition and always maintain the specified tyre pressure. Refer to "Tyres" in the "INSPECTION AND MAINTENANCE" section for details.
- Do not use tyres other than those specified by MARUTI SUZUKI. Never use different sizes or types of tyres on the front and rear wheels. For information regarding the specified tyres, refer to the Tyre Information Label located on the driver's door lock pillar.

(Continued)

⚠ WARNING

(Continued)

- Never use oversized tyres or special shock absorbers and springs to raise (jack up) your vehicle. This will change the handling characteristics. Oversized tyres may also rub against the fender over bumps, causing vehicle damage or tyre failure.
- After driving through water, test the brakes while driving at a slow speed to see if they have maintained their normal effectiveness. If the brakes are less effective than normal, dry them by repeatedly applying the brakes while driving slowly until the brakes have regained their normal effectiveness.

DRIVING ON WET ROADS

CAUTION

- When driving on wet roads, avoid driving through large amount of standing water on the road. Large amount of water entering the engine compartment may cause damage to the engine and or electrical components.
- If stuck in deep water, do not start till water level drops.
- Water is incompressible substance, water inside engine is harmful to the engine."

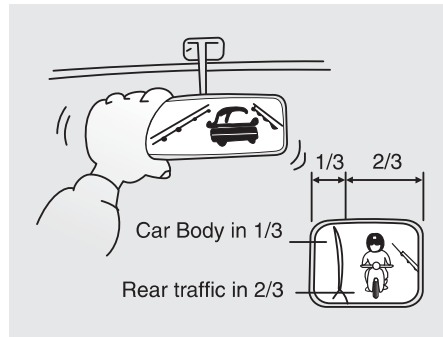
⚠ WARNING

- Make sure your tyres are in good condition and always maintain the specified tyre pressure. Refer to "TYRES" in the "INSPECTION AND MAINTENANCE" section for details.
- Do not use tyres other than those specified by MARUTI SUZUKI. Never use different sizes or types of tyres on the front and rear wheels. For information regarding the specified tyres, refer to the "SPECIFICATIONS" section.
- Never use oversized tyres or special shock absorbers and springs to raise (jack up) your vehicle. This will change the handling characteristics.
- After driving through water, test the brakes while driving at a slow speed to see if they have maintained their normal effectiveness. If the brakes are less effective than normal, dry them by repeatedly applying the brakes while driving slowly until the brakes have regained their normal effectiveness.

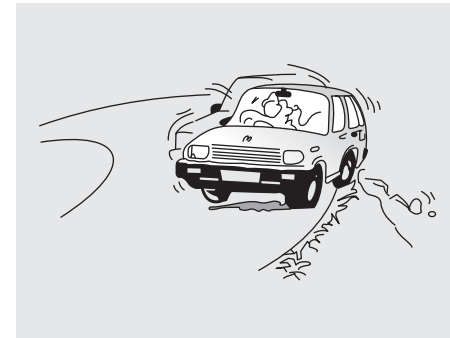
DO'S AND DON'TS FOR SAFE DRIVING

Exercise care in handling your vehicle. Be conscious of not only your own safety but also the safety of others on the road, and thus enjoy the best and most comfortable driving experience.

This section contains basic rules for safe driving. Read it carefully for good understanding of the content so that you can enjoy safe and pleasant driving in your Maruti Suzuki vehicle.



72F-08-002



72F-08-008

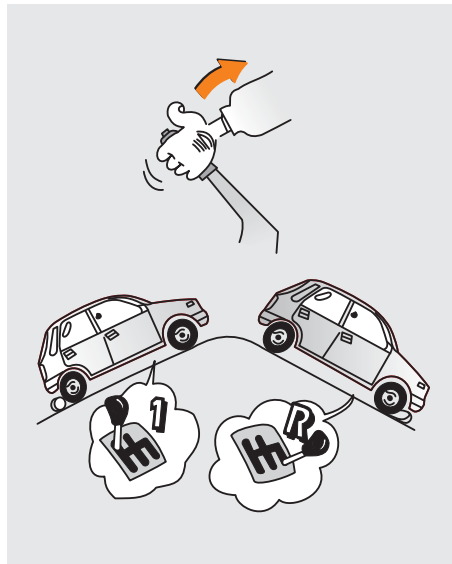
Starting

- 1) Adjust the driver's seat for the proper driving posture.
- 2) Adjust the rear view mirror so as to obtain the best possible rear view.
- 3) Before moving off, look forward and back to confirm safety.
- 4) Don't start quickly, for it is dangerous and wastes fuel.

General driving

- 1) Be sure to stop before the stop light and stop sign. When moving into the intersection without any traffic lights or signs, drive slowly to confirm safety.

- 2) Always follow other vehicles at a safe distance in order to prevent a rear-end collision, should the vehicle ahead make a sudden stop.
- 3) Turn ON the turn signal at least 30 meters before making a turn or changing the lane so as not to be hit from behind.
- 4) Before entering a corner, decelerate to a safe speed. Don't apply brakes during cornering, or a cornering skid may occur.
- 5) When overtaking other vehicles, watch out for the oncoming vehicle and carefully confirm the safety.
- 6) Don't attempt zigzag driving which will hinder your control over the vehicle and cause an accident.



72F-08-011

Braking

- 1) Use the parking brake when parking your vehicle and shift the gear shift lever into the first gear or reverse gear position for the sake of safety.
- 2) Don't use handbraking unless unavoidable. It causes the vehicle to skid and a rearend collision occur. It is especially dangerous when the tyres are worn, for they allow a larger skid.

2F-0

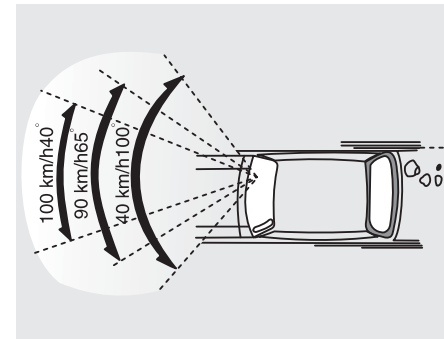
6-5



72F-08-012

Use foot brake in three stages

- (1) Warn the vehicle behind you
 - (2) Gradually apply the brake.
 - (3) Bring the vehicle to a halt.
- 3) When driving on a downhill, try not to apply the brake but use the engine brake effectively. Overuse of the foot-brake may result in total brake failure.
 - 4) Avoid reckless high speed driving and try to drive at a safe speed suitable for the road conditions while maintaining a constant speed.



72F-08-015

- 5) The higher the speed, the narrower the driver's visual range becomes. In such a state, it is difficult to anticipate any hazard and the driver feels much fatigued.
- 6) Never do sharp handling during high speed driving. You will lose your control over your vehicle.
- 7) When overtaking or changing the lane while driving at a high speed, keep an ample vehicle-to-vehicle distance.

Long distance driving

- 1) Be sure to perform safety checks before starting a trip.
- 2) Take rest at certain intervals to prevent an accident which may occur when you are sleepy or tired.

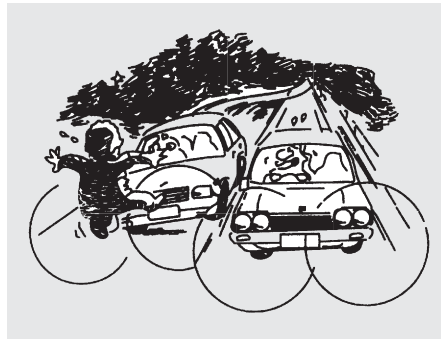
114



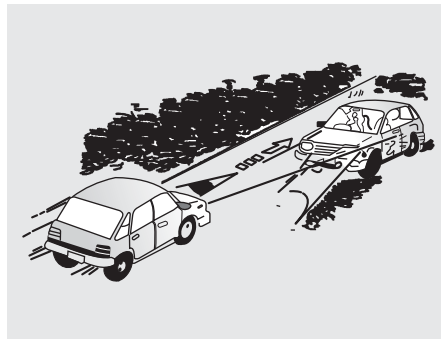
72F-08-020

Night time driving

- 1) Drive more slowly at night than in the daytime, for the visual range is restricted at night.
- 2) Don't overtake other vehicles at night. Darkness bothers your sense of speed and hinders your judgement on the vehicle-to-vehicle distance.
- 3) Don't use the high headlight beam unless its use is inevitable. Its dazzle may blitz the driver of the oncoming vehicle, thus causing an accident.
- 4) Always keep the window glasses clean. Don't operate the windshield wiper when the windshield glass is dry or the wiper blade and glass may get damaged.



72F-08-21



72F-08-022

MARGIN FOR SAFETY

It is important to allow yourself a margin for safety during driving so that you can cope with erroneous or unexpected driving of other drivers. For that, observe the following.

- Drive at a safe speed.
- Maintain a sufficient distance between your vehicle and the vehicle ahead.
- Don't force yourself to overtake other vehicles.
- Don't make quick start, hard steering or sudden stops.
- Allow an ample time in the driving schedule.
- Observe traffic rules and regulations.

CONCLUSION

A perfect driver does not exist. The endeavour of every motorist should be to strive for perfection. Safety consciousness not only ensures your safety and the safety of other road users, it also helps reduce the wear and tear on your vehicle, prolongs its life, gives more mileage and ensures a comfortable driving experience.

Follow the do's and don'ts listed, and driving will never be the same again.

MEMO

VEHICLE LOADING AND TOWING

Vehicle Loading	7-1
Trailer Towing	7-1
Towing Your Vehicle	7-5

VEHICLE LOADING AND TOWING

55KS0-74E

Vehicle Loading

Your vehicle was designed for specific weight capacities. The weight capacities of your vehicle are indicated by the Gross Vehicle Weight Rating (GVWR) and the Gross Axle Weight Rating (GAWR, front and rear). The GVWR and GAWR (front and rear) are listed in the "SPECIFICATIONS" section.

GVWR – Maximum permissible overall weight of the fully loaded vehicle (including all the occupants, accessories and cargo plus the trailer nose weight if towing a trailer).

GAWR – (Front and Rear) Maximum permissible weight on an individual axle.

Actual weight of the loaded vehicle and actual loads at the front and rear axles can only be determined by weighing the vehicle. Compare these weights to the GVWR and GAWR (front and rear). If the gross vehicle weight or the load on either axle exceeds these ratings, you must remove enough weight to bring the load down to the rated capacity.

WARNING

Never overload your vehicle. The gross vehicle weight (sum of the weights of the vehicle, all the occupants, accessories, cargo plus trailer nose weight if towing a trailer) must never exceed the Gross Vehicle Weight Rating (GVWR). In addition, never distribute a load so that the weight on either the front or rear axle exceeds the Gross Axle Weight Rating (GAWR).

WARNING

Always distribute cargo evenly. To avoid personal injury or damage to your vehicle, always secure cargo to prevent it from shifting if the vehicle moves suddenly. Place heavier objects on the floor and as far forward in the cargo area as possible. Never pile cargo higher than the top of the seat backs.

Trailer Towing

Your vehicle is originally designed to carry people and a normal amount of cargo, not to tow a trailer. MARUTI SUZUKI does not recommend you use your vehicle to tow a trailer if there is not any local regulation about towing capacity permitted (for example, registered or statutory towing capacity). Towing a trailer can adversely affect handling, durability, and fuel economy.

55KS0-74E

Some countries have regulations which specifically allow trailer towing up to a specified maximum trailer weight (registered or statutory towing capacity, whichever is smaller); vehicles sold in these countries can be used to tow a light trailer, provided the trailer does not exceed the maximum trailer weight specified in the country's regulations.

If you use your vehicle to tow a trailer, you should always observe the requirements and recommendations in this section. If you intend to tow a trailer, it is essential to select a trailer and trailer towing equipment which are compatible. A reputable towing specialist can help you.

CAUTION
Trailer towing puts additional stress on the engine, drive train, and brakes of your vehicle. Never tow a trailer during the first 960 km (600 miles) of vehicle operation.

CAUTION
For Automatic Transmission vehicles, do not use "D" range when towing on a steep hill. Towing in "D" range when driving on a steep hill can cause automatic transmission fluid over heating without warning, which can result in transmission damage.

119

Brakes

⚠ WARNING
If trailer brakes are used, you should follow all instructions provided by the manufacturer. Never connect to the brake system of your vehicle and never take an electrical supply directly from the wiring harness.

Tyres

⚠ WARNING
When towing a trailer, it is very important for your vehicle and trailer to have properly inflated tyres. Your vehicle's tyres should be inflated to the pressures listed on your vehicles Tyre Information label. If laden pressures are listed on the label, the tyres should be inflated to the laden pressures. Inflate trailer tyres according to the specifications provided by the trailer manufacturer.

VEHICLE LOADING AND TOWING

Mirrors

Check to see if your vehicle's mirrors meet local requirements for mirrors used on towing vehicles. If they do not, you must install the required mirrors before you tow.

Vehicle/Trailer Loading

To load your vehicle and trailer properly, you must know how to measure gross trailer weight and trailer nose weight.

Gross Trailer Weight is the weight of the trailer plus all the cargo in it. You can measure gross trailer weight by putting the fully loaded trailer on a vehicle scale.

Nose Weight is the downward force exerted on the tow bar by the trailer coupler, with the trailer fully loaded and the coupler at its normal towing height. This weight can be measured using a bathroom scales.

The weight of your loaded trailer (Gross Trailer Weight) should never exceed the "Towing capacity".

Distribute cargo in your trailer so that nose weight is about 10% of gross trailer weight, but does not exceed "Maximum vertical load on trailer hitch point". You should measure gross trailer weight and nose weight before towing to make sure that your load is properly distributed.

7-2

VEHICLE LOADING AND TOWING

55KS0-74E

⚠ WARNING
Improper weight distribution of your trailer may result in poor vehicle handling and swaying of the trailer. Always make sure that trailer nose weight is about 10% of gross trailer weight, but does not exceed "Maximum vertical load on trailer hitch point". Also make sure that the cargo is properly secured. Failure to observe this requirement may result in an accident.

⚠ WARNING
Never overload your trailer or your vehicle. Gross trailer weight must never exceed the "Towing capacity". Gross vehicle weight (sum of the weights of the vehicle, all the occupants, accessories including tow bars and a trailer hitch, cargo and trailer nose weight) must never exceed the Gross Vehicle Weight Rating (GVWR) listed in the "SPECIFICATIONS" section.

Additional Trailer Towing Warnings

⚠ WARNING
Connect trailer lights and hook up safety chains every time you tow.

CAUTION
Because towing a trailer puts additional stress on your vehicle, more frequent maintenance will be required than under normal driving conditions. Follow the schedule for "Maintenance Recommended under Severe Driving Conditions".

⚠ WARNING
Your vehicle will handle differently when towing a trailer. For your safety and the safety of others, you should observe the following precautions:

- Practice turning, stopping, and reversing before you begin towing in traffic. Do not tow in traffic until you are confident that you can handle the vehicle and trailer safely.
- Never exceed towing speed limits or 80 km/h (50 mph), whichever is lower.
- Never drive at a speed that causes shaking or swaying of the trailer. If you notice even the slightest sign of shaking or swaying, slow down.
- When roads are wet, slippery or rough, drive at a slower speed than you would on dry, smooth roads. Failure to slow down when road conditions are bad can result in loss of control.
- Always have someone guide you when reversing.
- Allow adequate stopping distance. Stopping distance is increased when you tow a trailer. For each 16 km/h (10 mph) of speed, allow at least one vehicle and trailer length between you and the vehicle ahead. Follow at a greater distance if roads are wet or slippery.

(Continued)

⚠ WARNING

(Continued)

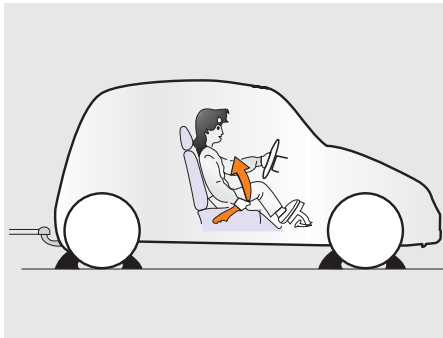
- If the trailer has over-run brakes, apply the brakes gradually to avoid snatching caused by the trailer wheels locking.
- Slow down before corners and maintain a steady speed while cornering. Deceleration or acceleration while cornering can result in loss of control. Remember that a larger than normal turning radius is needed because the trailer wheels will be closer than vehicle wheels to the inside of the turn.
- Avoid sudden acceleration and stopping of the vehicle. Do not make quick maneuvers unless they are necessary.
- Slow down in cross winds and be prepared for gusts of wind from large passing vehicles.
- Be careful when overtaking other vehicles. Be sure to allow enough room for your trailer before you change lanes, and signal well in advance.
- Slow down and shift into a lower gear before you reach long or steep downhill grades. It is hazardous to attempt downshifting while you are descending a hill.

(Continued)

⚠ WARNING

(Continued)

- Avoid “riding” the brakes. This could cause the brakes to over-heat resulting in reduced braking efficiency. Use engine braking as much as possible.
- Because of the added trailer weight, your engine may overheat on hot days when going up long or steep hills. Pay attention to your engine temperature gauge. If it indicates overheating, pull off the road and stop in a safe place. Refer to “If the Engine Overheats” in “EMERGENCY SERVICE” section.



60A186

⚠ WARNING

When parking your vehicle and connected trailer, always use the following procedure:

- 1) Apply the vehicle's brakes firmly.
- 2) Have another person place wheel chocks under the wheels of the vehicle and the trailer while you are holding the brakes.
- 3) Slowly release the brakes until the wheel chocks absorb the load.
- 4) Fully engage the parking brake.
- 5) Manual transmission – turn off the engine, then shift into reverse or first gear.
Automatic transmission – shift into “P” (Park) and turn off the engine.

When starting out after parking:

- 1) Depress the clutch and start the engine.
- 2) Shift into gear, release the parking brake, and slowly pull away from the chocks.
- 3) Stop, apply the brakes firmly and hold them.
- 4) Have another person remove the chocks.

VEHICLE LOADING AND TOWING

55KS0-74E

Towing Your Vehicle

Your vehicle may be towed behind another vehicle (such as a motorhome), provided you use the proper towing method specified for your vehicle. The towing method you must use depends on the specifications of your vehicle, whether it is a manual transmission vehicle or an automatic transmission vehicle.

TOWING INSTRUCTION TABLE

DRIVE TRAIN	TRANSMISSION	TOWING METHOD
2WD	A/T (AUTO)	A
	M/T (MANUAL)	A B

Use the towing instruction table to select the proper towing method for your vehicle, and carefully follow the corresponding instructions. Be sure to use proper towing equipment designed for towing and make sure that towing speed does not exceed 90 km/h (55 mph).

⚠ WARNING

When you tow your vehicle, follow the instructions below to avoid accidents and damage to your vehicle. In addition, be sure to observe government and local requirements regarding vehicle lighting and trailer hitches or tow bars.

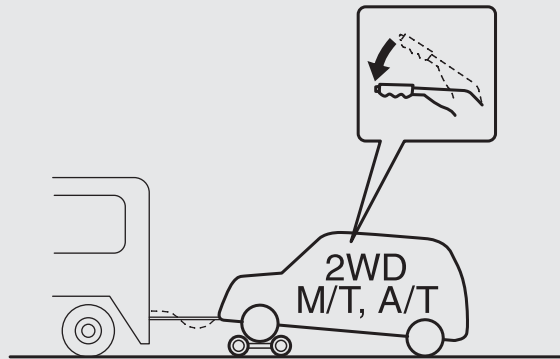
⚠ WARNING

A safety chain should always be used when you tow your vehicle.

55KS0-74E

TOWING METHOD A

FROM THE FRONT:
FRONT WHEELS ON A DOLLY
AND REAR WHEELS ON THE GROUND



54G212

VEHICLE LOADING AND TOWING

A: 2WD VEHICLES WITH MANUAL TRANSMISSION OR AUTOMATIC TRANSMISSION

- 1) Secure the front wheels on a towing dolly according to the instructions provided by the dolly manufacturer.
- 2) Release the parking brake.



54G641

CAUTION

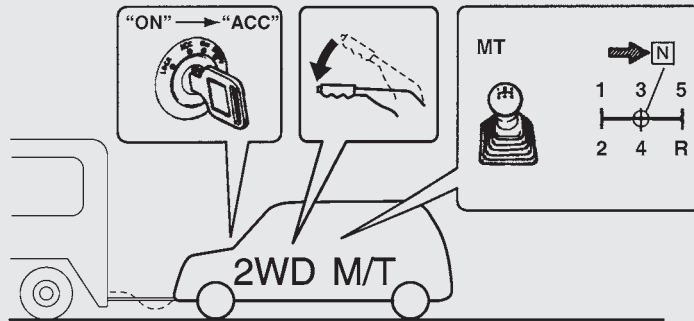
Towing an automatic transmission vehicle with four wheels on the ground can result in damage to the automatic transmission.

VEHICLE LOADING AND TOWING

55KS0-74E

TOWING METHOD B

FROM THE FRONT:
FOUR WHEELS ON THE GROUND



54G213

B: 2WD VEHICLES WITH MANUAL TRANSMISSION

- 1) Shift the manual transmission lever into neutral.
- 2) Turn the ignition key to the "ACC" position to unlock the steering wheel.
- 3) Release the parking brake.

CAUTION

The steering column is not strong enough to withstand shocks transmitted from the front wheels during towing. Always unlock the steering wheel before towing.



54G641

CAUTION

Towing an automatic transmission vehicle with four wheels on the ground can result in damage to the automatic transmission.

INSPECTION AND MAINTENANCE

Maintenance Schedule	8-2
Periodic Maintenance Schedule	8-2
Drive Belt	8-6
Engine Oil and Filter	8-6
Automatic Transmission (AT) Fluid	8-11
Gear Oil	8-13
Engine Coolant	8-14
Windshield Washer Fluid	8-16
Air Cleaner	8-16
Spark Plugs	8-17
Fuel Filter	8-19
Brakes	8-20
Steering	8-22
Clutch Pedal	8-22
Tires	8-22
Battery	8-26
Fuses	8-27
Bulb Replacement	8-31
Wiper Blades	8-36
Air Conditioning System	8-38



60B128S

⚠ WARNING

You should take extreme care when working on your vehicle to prevent accidental injury. Here are a few precautions that you should be especially careful to observe:

- To prevent damage or unintended activation of the air bag system or seat belt pretensioner system, be sure the battery is disconnected and the ignition switch has been in the "LOCK" position for at least 90 seconds before performing any electrical service work on your vehicle. Do not touch air bag system components, seat belt pretensioner system components or wires.

The wires are wrapped with yellow tape or yellow tubing, and the couplers are yellow for easy identification.

- Do not leave the engine running in garages or other confined areas.

(Continued)

⚠ WARNING

(Continued)

- When the engine is running, keep hands, clothing, tools, and other objects away from the fan and drive belt. Even though the fan may not be moving, it can automatically turn on without warning.
- When it is necessary to do service work with the engine running, make sure that the parking brake is set fully and the transmission is in Neutral (for manual transmission vehicles).
- Do not touch ignition wires or other ignition system parts when starting the engine or when the engine is running, or you could receive an electric shock.
- Be careful not to touch a hot engine, exhaust manifold and pipes, muffler, radiator and water hoses.
- Do not allow smoking, sparks, or flames around petrol or the battery. Flammable fumes are present.
- Do not get under your vehicle if it is supported only with the portable jack provided in your vehicle.
- Be careful not to cause accidental short circuits between the positive and negative battery terminals.

(Continued)

⚠ WARNING

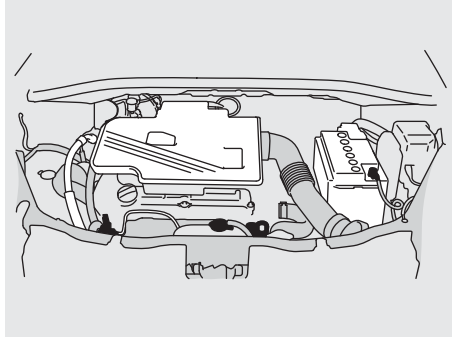
(Continued)

- Keep used oil, coolant, and other fluids away from children and pets. Dispose of used fluids properly; never pour them on the ground, into sewers, etc.

55KS0-74E

INSPECTION AND MAINTENANCE

Maintenance Schedule



79J004S

The following table shows the times when you should perform regular maintenance on your vehicle. This table shows in kilometers and months when you should perform inspections, adjustments, lubrication and other services. These intervals should be shortened if driving is usually done under severe conditions (refer to "Maintenance Recommended under Severe Driving Conditions").

⚠ WARNING

MARUTI SUZUKI recommends that maintenance on items marked with an asterisk (*) be performed by your MARUTI SUZUKI authorized dealer.

CAUTION

Whenever it becomes necessary to replace parts on your vehicle, it is recommended that you use MARUTI GENUINE PARTS (MGP) ONLY.

Periodic Maintenance Schedule

- "A" : Adjust
- "C" : Clean
- "R" : Replace or Change
- "I" : Inspect and correct or replace if necessary
- "L" : Lubricate
- "T" : Tighten to Specified Torque
- "O" : Rotate

NOTE:

This table includes services as scheduled up to 80,000 km mileage. Beyond 80,000 km, carry out the same services at the same intervals respectively.

Periodic Maintenance Schedule: 1, 2, 3, 4, 5, 6, 9, 10

INSPECTION AND MAINTENANCE

55KS0-74E

Interval: This interval should be judged by odometer reading or months, whichever comes first.			FREE INSPECTION			PERIODIC MAINTENANCE AT COST							
			km (x1000)	1	5	10	20	30	40	50	60	70	80
			months	1	6	12	24	36	48	60	72	84	96
Engine													
1-1.	Water pump drive (Tension, Wear)	Petrol	A	I	I	I	I	I	I	R	A	I	
1-2	Engine Coolant (Level, Leakage)		I	I	I	R	I	R	I	R	I	R	
1-3	Engine oil and engine oil filter	Petrol	R	I	R	R	R	R	R	R	R	R	
1-4	Engine oil	Diesel	R	-	R	R	R	R	R	R	R	R	
1-5	Engine oil filter	Diesel	-	-	R	R	R	R	R	R	R	R	
1-6	Cooling system hoses and connections (Leakage and Damage)		I	I	I	I	I	I	I	I	I	I	
1-7	Engine bolts (All cylinder head and manifold fixings)		-	-	T	-	T	-	T	-	T	-	
1-8	Engine Mounting (All Cylinder head and manifold fixings)		-	-	T	-	T	-	T	-	T	-	
1-9	Valve Clearance	Petrol	-	I	-	I	-	I	-	I	-	I	
1-10	Exhaust System (Noise, Leakage etc.)		-	I	-	I	-	I	-	I	-	I	
1-11	Positive Crank Case Ventilation System (Hoses, Connections and Valve)		-	I	-	I	-	I	-	I	-	I	
1-12	Exhaust Gas Recirculation Valve	Diesel	-	-	-	-	C	-	-	C	-	-	
Ignition													
2-1.	Ignition wiring (Damage, Deterioration)		-	-	-	I	-	I	-	I	-	I	
2-2.	Spark Plug (Clean and adjust the gap)	Petrol	-	-	I	R	I	R	I	R	I	R	
Fuel													
3-1.	Air cleaner filter element	Paved-road	Petrol	Clean after every 5,000 KM. Replace after every 40,000 KM.									
			Diesel	Clean after every 10,000 KM. Replace after every 20,000 KM.									
		Dusty Condition	Petrol	Clean after every 2,500 KM or as required. Replace after every 40,000 KM.									
			Diesel	Clean after every 5,000 KM. Replace after every 20,000 KM.									
3-2.	Fuel tank cap, fuel lines and connections (Leakage and Damage)		-	I	-	-	-	I	-	-	-	I	
3-3.	Fuel Filter (Leakage)	Petrol	I	I	I	I	I	R	I	I	I	R	
3-4.	Fuel Filter and Water Draining	Diesel	I	I	I	R	I	R	I	R	I	R	
Clutch and Transmission													
4-1.	Clutch fluid (level, leakage)		I	I	I	R	I	R	I	R	I	R	
4-2.	Clutch slipping (Dragging or Excess Damage)		I	I	I	I	I	I	I	I	I	I	
4-3.	Manual Transmission/Transfer or Differential Oil (Level, Leakage)		I	I	I	R	I	R	I	R	I	R	

8-3

128

55KS0-74E

Periodic Maintenance Schedule: 1, 2, 3, 4, 5, 6, 9, 10

55KS0-74E

INSPECTION AND MAINTENANCE

Interval: This interval should be judged by odometer reading or months, whichever comes first.		FREE INSPECTION			PERIODIC MAINTENANCE AT COST							
		km (x1000)	1	5	10	20	30	40	50	60	70	80
		months	1	6	12	24	36	48	60	72	84	96
4-4.	Automatic transmission Fluid (Level, Leakage)	Replace at 1,65,000 KM or 11 years whichever comes first										
4-5.	Hose, Automatic transmission fluid											
Drive shaft												
5-1.	Drive shaft boot (boot damage)	-										
BRAKE												
6-1.	Brake Fluid (Level, Leakage)				R		R		R			
6-2.	Brake pedal (pedal - wall clearance)											
6-3.	Parking brake lever and cable (Play, damage)											
6-4.	Brake disc and pad (Wear)	-										
6-5.	Brake drum and shoes (Wear)	-	-									
6-6.	Master cylinder/wheel cylinder/calliper (Oil leakage, boot cut)						R				R	
6-7.	Brake hoses and pipes (Leakage, damage)											
WHEEL												
7-1.	Tyres (air pressure, abnormal wear, crack and rotation)		I&O	I&O	I&O	I&O	I&O	I&O	I&O	I&O	I&O	
7-2.	Wheels (Damage)											
7-3.	Front/Rear wheel bearing (Loose, damage)											
FRONT / REAR SUSPENSION												
8-1.	Suspension strut (Oil leakage, damage)											
8-2.	Suspension arms / Knuckle support (Loose, damager)	-										
8-3.	Rear spring (Damage)											
8-4.	Shock absorbers (Oil leakage, damage)											
8-5.	All bolts and nuts (Loose)	-	T	T	T	T	T	T	T	T	T	
8-6.	Suspension arms and torsion rods	-										
STEERING												
9-1.	Steering wheel (Play, loose)											
9-2.	All rods and arms (Loose, damage, wear)											

Maintenance Recommended under Severe Driving Conditions: 1, 2, 3, 4, 5, 6, 9, 10

INSPECTION AND MAINTENANCE

55KS0-74E

Interval: This interval should be judged by odometer reading or months, whichever comes first.		FREE INSPECTION			PERIODIC MAINTENANCE AT COST							
		km (x1000)	1	5	10	20	30	40	50	60	70	80
		months	1	6	12	24	36	48	60	72	84	96
ELECTRICAL												
10-1.	Battery electrolyte (Level, leakage)											
10-2.	Wiring harness connection (Loose, damage)	-										
10-3.	Lightening system (Operation, stains, damage)											
10-4.	Horn (Operation)											
10-5.	System Voltage	-										
BODY												
11-1.	All chassis bolts and nuts (Tighten)	-		T	T	T	T	T	T	T	T	
11-2.	All latches, hinges and locks (Function)		I&L	I&L	I&L	I&L	I&L	I&L	I&L	I&L	I&L	
ROAD TEST												
12-1.	Operation of Brakes, gear shifting and speedometer											
12-2.	Body and chassis noise											
AIR CONDITIONER (if equipped)												
13-1.	Check belt tension											
13-2.	Tighten compressor mounting bolt	-	T	T	T	T	T	T	T	T	T	
13-3.	All hose joint (Check, tighten)											
13-4.	Check functioning of Recirc flap											
13-5.	Clean condensor with low pressure water	-	C	C	C	C	C	C	C	C	C	
13-6.	Check belt for frayed edges											
13-7.	Check all mounting bolts											

55KS0-74E

Drive Belt

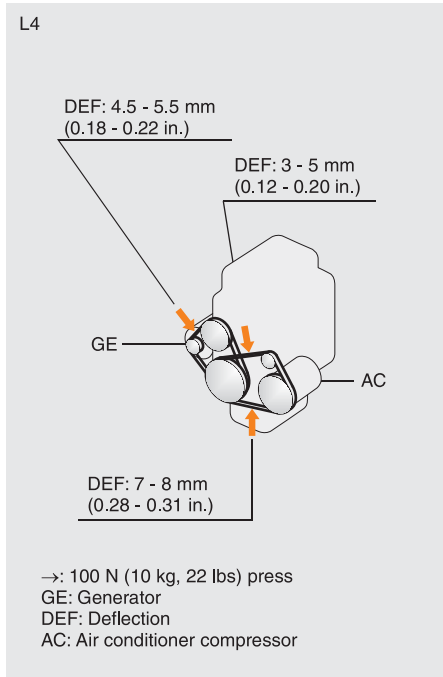
⚠ WARNING
When the engine is running, keep hands, hair, clothing, tools, etc. away from the moving fan and drive belts.

Make sure the drive belt tension is correct. If the belt is too loose, insufficient battery charging, engine overheating, poor power steering, poor air conditioning, or excessive belt wear can result. When you press the belt with your thumb midway between the pulleys, there should be a deflection according to the following chart.

The belts should also be examined to ensure that they are not damaged.

If you need to replace or adjust the belt have it done by your MARUTI SUZUKI dealer.

M16A and M16AN

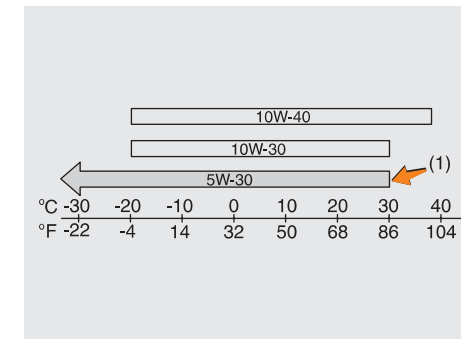


52LM013

INSPECTION AND MAINTENANCE

Engine Oil and Filter

Specified Oil (For Petrol Engine)



54G439

(1) Preferred

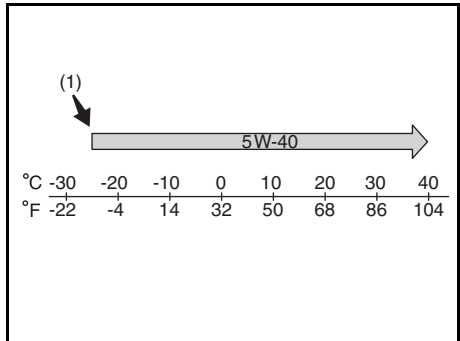
Be sure that the engine oil you use comes under the quality classification of SG+. Select the appropriate oil viscosity according to the above chart.

The recommended Engine oil is SAE 5W30.

INSPECTION AND MAINTENANCE

55KS0-74E

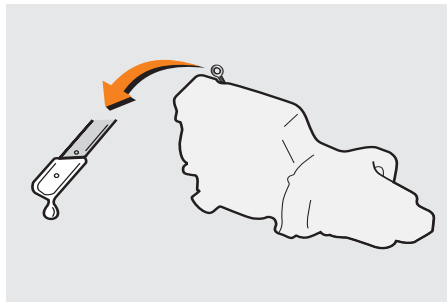
(For Diesel Engine Model)



60MH042

Be sure that the engine oil you use comes under the quality classification of ACEA A3/B3. Select the appropriate oil viscosity according to the above chart.

**Oil Level Check
(For Petrol Engine)**

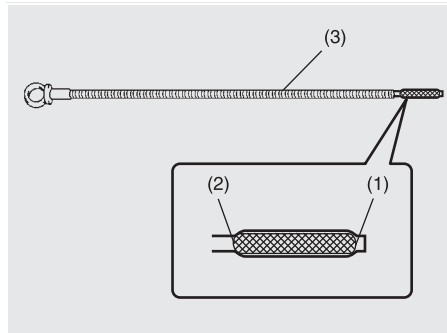


80G064

It is important to keep the engine oil at the correct level for proper lubrication of your vehicle's engine. Check the oil level with the vehicle on a level surface. The oil level indication may be inaccurate if the vehicle is on a slope. The oil level should be checked either before starting the engine or at least 5 minutes after stopping the engine.

The handle of the engine oil dipstick is colored yellow for easy identification. Pull out the oil dipstick, wipe oil off with a clean cloth, insert the dipstick all the way into the engine, then remove it again. The oil on the stick should be between the upper and lower limits shown on the stick. If the oil level indication is near the lower limit, add enough oil to raise the level to the upper limit.

For Diesel Engine)



84E012

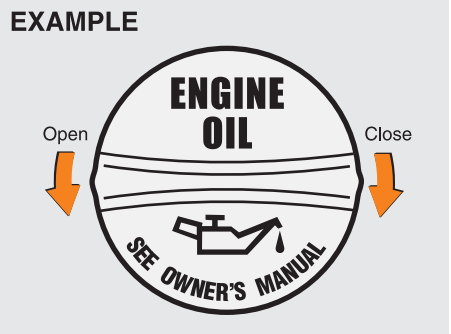
- (1) MIN
- (2) MAX
- (3) Engine oil dipstick

CAUTION

Failure to check the oil level regularly could lead to serious engine trouble due to insufficient oil.

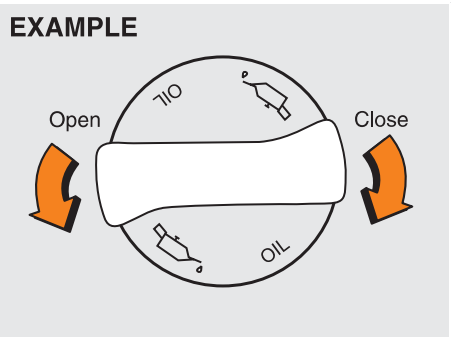
55KS0-74E

**Refilling
(For Petrol Engine)**



81A147

(For Diesel Engine)

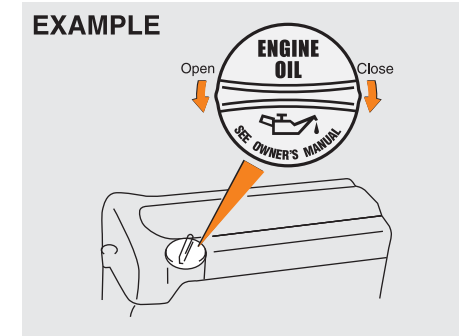


Remove the oil filler cap and pour oil slowly through the filler hole to bring the oil level to the upper limit on the dipstick. Be careful not to overfill. Too much oil is almost as bad as too little oil. After refilling, start the engine and allow it to idle for about a minute. Stop the engine, wait about 5 minutes and check the oil level again.

INSPECTION AND MAINTENANCE

Changing Engine Oil and Filter

Drain the engine oil while the engine is still warm.



56KN054

- 1) Remove the oil filler cap.
- 2) Place a drain pan under the drain plug.
- 3) Using a wrench, remove the drain plug and drain out the engine oil.

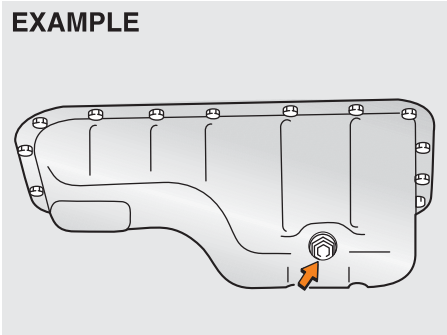
⚠ WARNING

The engine oil temperature may be high enough to burn your fingers when the drain plug is loosened. Wait until the drain plug is cool enough to touch with your bare hands.

INSPECTION AND MAINTENANCE

55KS0-74E

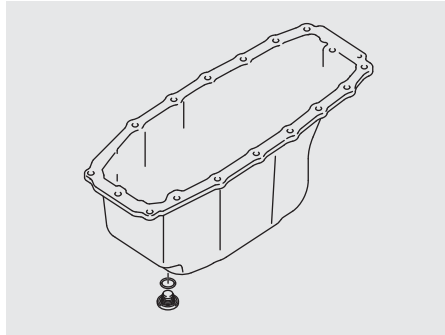
For Petrol Engine



60G306

**Tightening torque for drain plug
21 Nm (2.1 kgf-m, 15.2 lb-ft)**

For Diesel Engine



**For Diesel Engine
24 Nm (2.4 kg-m, 17.7 lb-ft)**

Note: Washer (1) should be replaced every time when opened.

⚠ WARNING

New and used oil can be hazardous. Children and pets may be harmed by swallowing new or used oil. Keep new and used oil and used oil filters away from children and pets.

Repeated, prolonged contact with used engine oil may cause skin cancer.

Brief contact with used oil may irritate skin.

To minimize your exposure to used oil, wear a long-sleeve shirt and moisture-proof gloves (such as dish-washing gloves) when changing oil. If oil contacts your skin, wash thoroughly with soap and water.

Launder any clothing or rags if wet with oil.

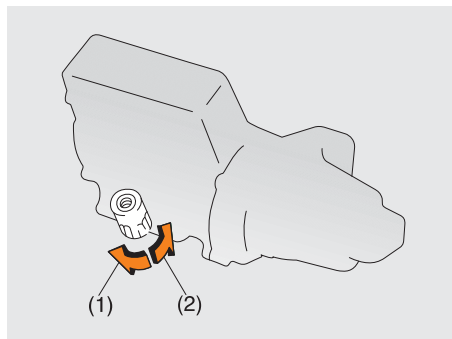
Recycle or properly dispose of used oil and filters.

- 4) Reinstall the drain plug and gasket. Tighten the plug with a wrench to the specified torque.

Replace the Oil Filter

- 1) Using an oil filter wrench, turn the oil filter counterclockwise and remove it.
- 2) Using a clean rag, wipe off the mounting surface on the engine where the new filter will be seated.
- 3) Smear a little engine oil around the rubber gasket of the new oil filter.
- 4) Screw on the new filter by hand until the filter gasket contacts the mounting surface.

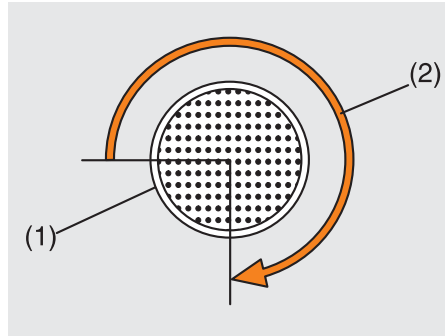
For Petrol Engine



54G092

- (1) Loosen
- (2) Tighten

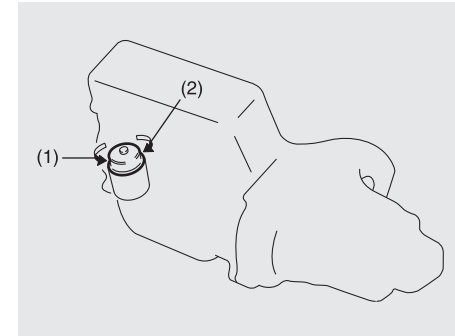
Tightening (viewed from filter top)



54G093

- (1) Oil filter
- (2) 3/4 turn

For Diesel Engine



84E016

- (1) Loosen
- (2) Tighten

Note:
Replace ring along with the new filter.
Never use the old ring in the new filter.

INSPECTION AND MAINTENANCE

55KS0-74E

CAUTION

To tighten the oil filter properly, it is important to accurately identify the position at which the filter gasket first contacts the mounting surface.

- 5) Tighten the filter specified turn from the point of contact with the mounting surface (or to the specified torque) using an oil filter wrench.

Tightening torque for oil filter (Petrol)
 3/4 turn or
 14 Nm (1.4 kgf-m, 10.1 lb-ft)

Tightening torque for oil filter (Diesel)
 3/4 turn or
 25 Nm (2.5 kgf-m, 18.0 lb-ft)

CAUTION

To prevent oil leakage, make sure that the oil filter is tight, but do not over-tighten it.

Refill with Oil and Check for Leaks

- 1) Pour oil through the filler hole and install the filler cap.
For the approximate capacity of the oil, refer to the "Capacities" item in the "SPECIFICATIONS" section.
- 2) Start the engine and look carefully for leaks at the oil filter and drain plug. Run the engine at various speeds for at least 5 minutes.
- 3) Stop the engine and wait about 5 minutes. Check the oil level again and add oil if necessary. Check for leaks again.

CAUTION

- When replacing the oil filter, it is recommended that you use a MARUTI genuine replacement filter. If you use an aftermarket filter, make sure it is of equivalent quality and follow the manufacturer's instructions.
- Oil leaks from around the oil filter or drain plug indicate incorrect installation or gasket damage. If you find any leaks or are not sure that the filter has been properly tightened, have the vehicle inspected by your MARUTI SUZUKI dealer.

Automatic Transmission (AT) Fluid

Specified Fluid

Use automatic transmission fluid SUZUKI ATF 3317 or Mobil ATF 3309.

Fluid Level Check

CAUTION

Driving with too much or too little fluid can damage the transmission.

You must check the fluid level with the automatic transmission fluid at normal operating temperature.

To check the fluid level:

- 1) To warm up the transmission fluid, drive the vehicle or idle the engine until the temperature gauge indicates normal operating temperature.
- 2) Then drive for ten more minutes.

CAUTION

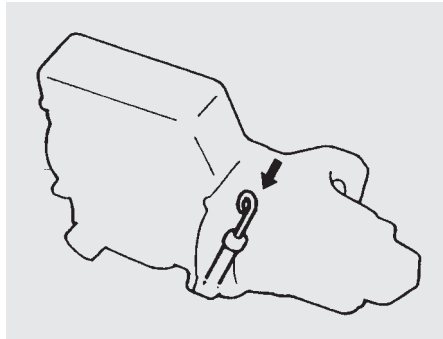
Be sure to use the specified automatic transmission fluid. Using automatic transmission fluid other than SUZUKI ATF 3317 or Mobil ATF 3309 may damage the automatic transmission of your vehicle.

Automatic Transmission (AT) Fluid: 10
Engine Coolant: 1, 2

55KS0-74E

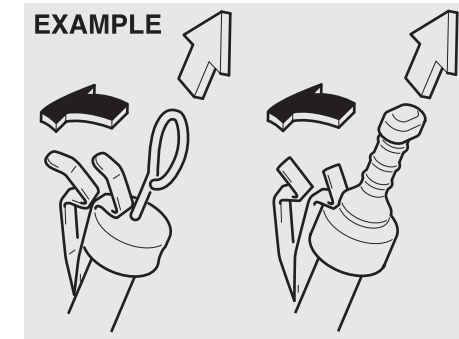
NOTE:

Do not check the fluid level if you have just driven the vehicle for a long time at high speed, if you have driven in city traffic in hot weather, or if the vehicle has been pulling a trailer. Wait until the fluid cools down (about 30 minutes), or the fluid level indication will not be correct.



63J125

INSPECTION AND MAINTENANCE



52KM144

- 3) Park your vehicle on level ground.
- 4) Apply the parking brake and then start the engine in "P" (Park). Let it idle for two minutes and keep it running during the fluid level check.
- 5) With your foot on the brake pedal, move the gearshift lever through each range, pausing for about three seconds in each range. Then move it back to the "P" (Park) position.

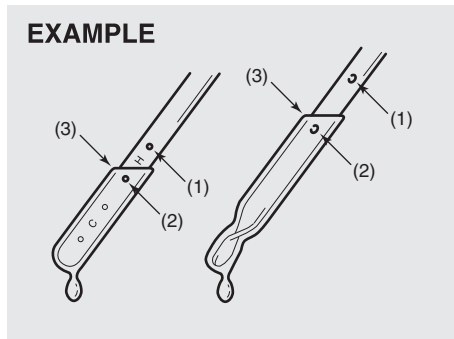
⚠ WARNING

Be sure to depress the brake pedal when moving the gearshift lever, or the vehicle can move suddenly.

- 6) The handle of the A/T fluid dipstick is colored red or orange for easy identification. Remove the dipstick, clean it and push it back in until the cap seats. Then pull out the dipstick.
- 7) Check both sides of the dipstick, and read the lowest level. The fluid level should be between the two marks in the "HOT" range on the dipstick.

INSPECTION AND MAINTENANCE

55KS0-74E



- (1) FULL HOT
- (2) LOW HOT
- (3) The lowest point = Fluid level

54G317

- 8) Add just enough specified fluid through the dipstick hole to fill the transmission to the proper level.

CAUTION

After checking or adding oil, be sure to insert the dipstick securely.

Changing Oil

Since special procedures, materials, and tools are required to change the automatic transmission oil, it is recommended that you trust this job to your authorized SUZUKI dealer.

Gear Oil

Specified Gear Oil

Manual transmission oil

		↔ 75W - 85, 75W - 90 ↔							
°C	-30	-20	-10	0	10	20	30	40	
°F	-22	-4	14	32	50	68	86	104	

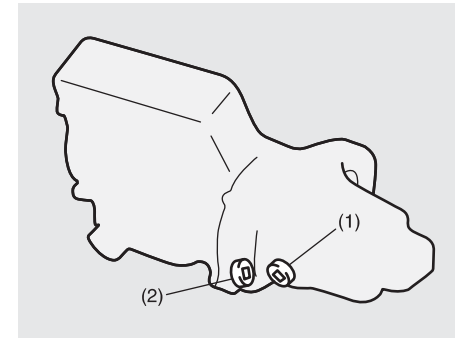
54G095

When adding gear oil, use gear oil with the appropriate viscosity and grade as shown in the chart above.

We highly recommend you use: API GL-4 SAE 75W-90 for manual transmission gear oil.

Gear Oil Level Check

Manual transmission



79J143

To check the gear oil level, use the following procedure:

- 1) Park the vehicle on a level surface with the parking brake applied. Then, stop the engine.
- 2) Remove the oil filler plug ((1) or (2)).
- 3) Check the inside of the hole with your finger. If the oil level comes up to the bottom of the plug hole, the oil level is correct. If so, reinstall the plug.
- 4) If the oil level is low, add gear oil through the oil filler plug hole ((1) or (2)) until the oil level reaches the bottom of the filler hole, then reinstall the plug.

Tightening torque for oil filler and level plug ((1) and (2))
21 Nm (2.1 kgf-m, 15.2 lb-ft)

55KS0-74E

▲ WARNING

After driving the vehicle, the gear oil temperature may be high enough to burn your skin. Wait until the oil filler plug is cool enough to touch with your bare hands before inspecting transmission oil.

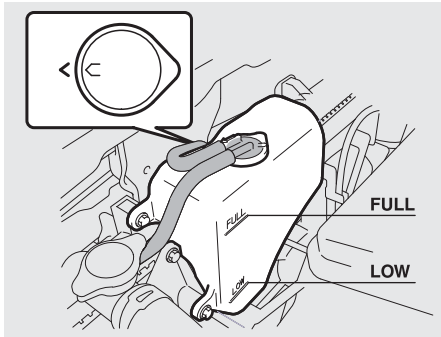
CAUTION

When tightening the plug, apply sealing compound "Three Bond" 2310 or equivalent to the plug threads to prevent oil leakage.

Gear Oil Change

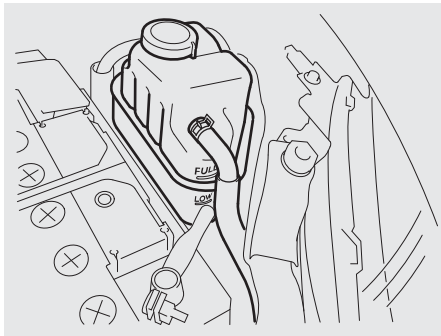
Since special procedures, materials and tools are required, it is recommended that you trust this job to your MARUTI SUZUKI authorized dealer.

**Engine Coolant
(For Petrol Engine)**



56KN049

(For Diesel Engine)



62J129

INSPECTION AND MAINTENANCE

Selection of Coolant

To maintain optimum performance and durability of your engine, use MARUTI Genuine Coolant.

This type of coolant is best for your cooling system as it:

- Helps maintain proper engine temperature.
- Gives proper protection against freezing and boiling.
- Gives proper protection against corrosion and rust.

Failure to use the proper coolant can damage your cooling system. Your MARUTI SUZUKI authorized dealer can help you select the proper coolant.

CAUTION

To avoid damaging your cooling system:

- Always use a high quality ethylene glycol base non-silicate type coolant diluted with distilled water at the correct mixture concentration.
- Make sure that the proper mix is 30/70 coolant to distilled water for Petrol and 50/50 coolant to distilled water for Diesel. Concentrations greater than specified coolant to distilled water will cause overheating conditions.
- Do not use straight coolant nor plain water.

(Continued)

INSPECTION AND MAINTENANCE

55KS0-74E

CAUTION

(Continued)

- **Do not add extra inhibitors or additives. They may not be compatible with your cooling system.**
- **Do not mix different types of base coolants. Doing so may result in accelerated seal wear and/or the possibility of severe overheating and extensive engine / automatic transmission damage.**

Coolant Level Check

Check the coolant level at the reservoir tank, not at the radiator. With the engine cool, the coolant level should be between the "FULL" and "LOW" marks.

Adding Coolant

(For Petrol Engine)

If the coolant level is below the "LOW" mark, more coolant should be added. Remove the reservoir tank cap and add coolant until the reservoir tank level reaches the "FULL" mark. Never fill the reservoir tank above the "FULL" mark.

(For Diesel Engine)

⚠ WARNING

It is hazardous to remove the reservoir tank cap (degassing tank cap) for Diesel engine when the water temperature is high, because scalding fluid and steam may be blown out under pressure. Wait until the coolant temperature has lowered before removing the cap.

If the coolant level is below the "LOW" mark, more coolant should be added. When the engine is cool, remove the degassing tank cap by turning it anticlockwise slowly to release any pressure. And add coolant until the degassing tank level reaches the "FULL" mark. Never fill the degassing tank above the "FULL" mark.

CAUTION

- **The mixture you use should contain 50% concentration of antifreeze.**
- **If the lowest ambient temperature in your area is expected to be -35°C (-31°F) or below, use higher concentrations up to 60% following the instructions on the antifreeze container.**
- **When putting the cap on the reservoir tank, line up the arrow on the cap and the arrow on the tank. Failure to follow this can result in coolant leakage.**

⚠ WARNING

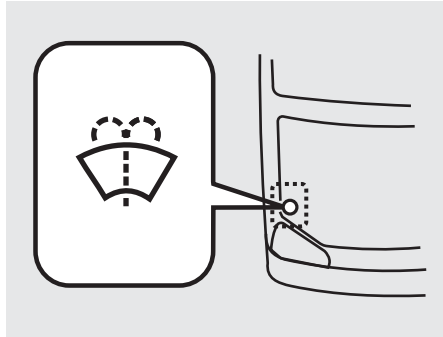
Engine coolant is harmful or fatal if swallowed or inhaled. Do not drink antifreeze or coolant solution. If swallowed, do not induce vomiting. Immediately contact a poison control center or a physician. Avoid inhaling mist or hot vapors; if inhaled, remove to fresh air. If coolant gets in eyes, flush eyes with water and seek medical attention. Wash thoroughly after handling. Solution can be poisonous to animals. Keep out of the reach of children and animals.

Coolant Replacement

Since special procedures are required, we recommend you to take your vehicle to your MARUTI SUZUKI authorised dealer for coolant replacement.

Windshield Washer Fluid

Front and rear (if equipped)



79J091

Check that there is washer fluid in the tank. Refill it if necessary. Use a good quality windshield washer fluid, diluted with water as necessary.

WARNING

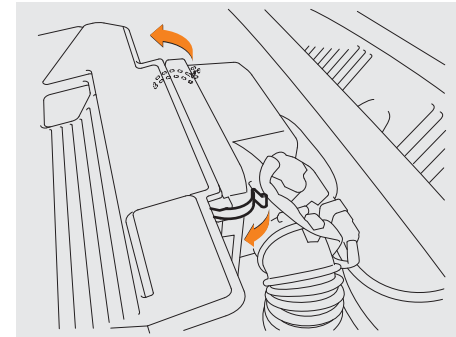
Do not use “antifreeze” solution in the windshield washer reservoir. This can severely impair visibility when sprayed on the windshield, and can also damage your vehicle’s paint.

CAUTION

Damage may result if the washer motor is operated with no fluid in the washer tank.

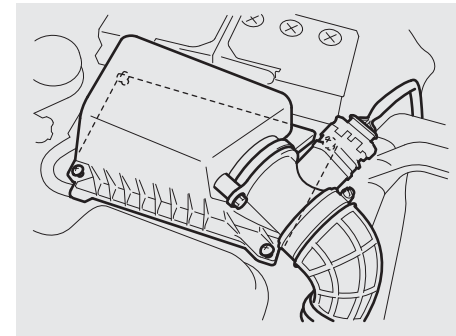
Air Cleaner

(For Petrol Engine)



79J008

(For Diesel Engine)



62J130

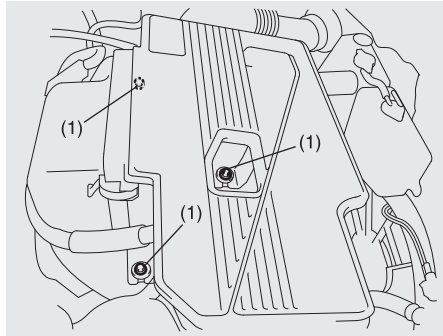
INSPECTION AND MAINTENANCE

55KS0-74E

If the air cleaner is clogged with dust, there will be greater intake resistance, resulting in decreased power output and increased fuel consumption.

Unclamp the side clamps and remove the element from the air cleaner case. If it appears to be dirty, clean it or replace it with a new one if necessary.

Spark Plugs (Petrol Engine)



79J009

You should inspect spark plugs periodically for carbon deposits. When carbon accumulates on a spark plug, a strong spark may not be produced. Remove carbon deposits with a wire or pin and adjust the spark plug gap.

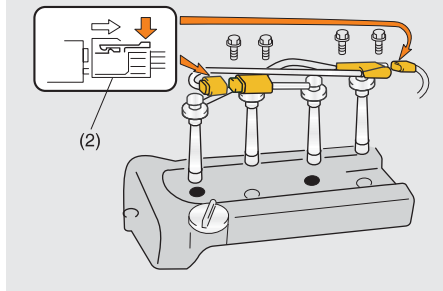
To access the spark plugs:

- 1) Loosen the 3 bolts (1) and remove the air cleaner Assy.
- 2) If necessary, disconnect the coupler (2) while pushing the release lever.
- 3) Remove the ignitor bolts.
- 4) Pull the spark plug boots out.

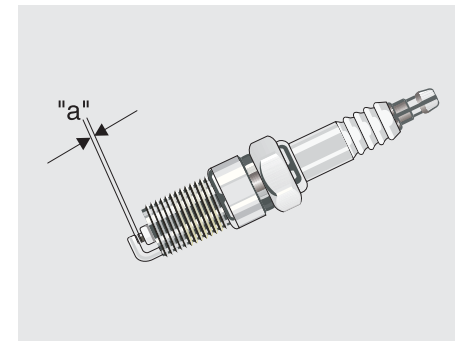
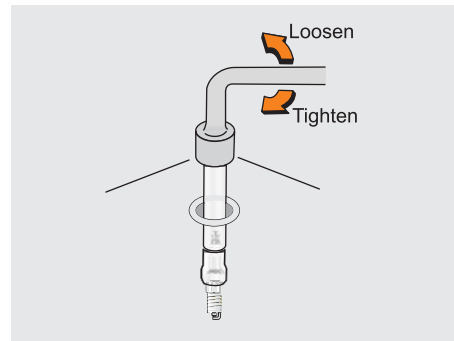
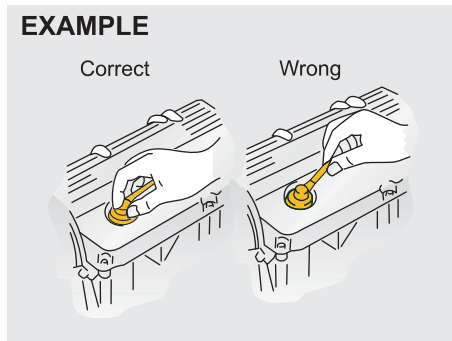
NOTE:

When installation, make sure the wires, couplers, sealing rubber of air cleaner assy and washers, are correctly returned in place.

EXAMPLE



54G105



CAUTION

- When disconnecting the spark plug cables, pull on the boot, not on the cable itself. Pulling on the cable can damage it.
- When servicing the iridium/platinum spark plugs (slender center electrode type plugs), do not touch the center electrode, as it is easy to damage.

CAUTION

- When installing the spark plugs, screw them in with your fingers to avoid stripping the threads. Tighten with a torque wrench to 25 Nm (2.5 kgf-m, 18.0 lb-ft). Do not allow contaminants to enter the engine through the spark plug holes when the plugs are removed.
- Never use spark plugs with the wrong thread size.

Spark plug gap "a"
FR6DC4:
0.8 – 0.9 mm (0.031 – 0.035 in.)

INSPECTION AND MAINTENANCE

55KS0-74E

CAUTION

When replacing spark plugs, you should use the brand and type specified for your vehicle. For the specified plugs, refer to the "SPECIFICATIONS" section at the end of this book. If you wish to use a brand of spark plug other than the specified plugs, consult your MARUTI SUZUKI dealer.

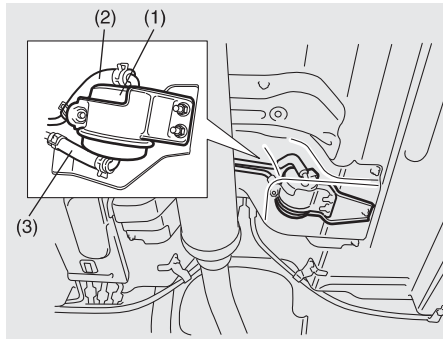
NOTE:

If your engine is equipped with the high-tension cord type ignition wiring and you experience some firing problem of spark plugs, such as, hard engine-starting, mis-fire etc., the cause may be located not only on spark plugs but also on deteriorated ignition wirings (generally, used for more than 80000 km or five years). If spark plug replacement does not solve the problem, have the ignition wiring and other ignition system inspected by your MARUTI SUZUKI dealer.

Fuel Filter

(For Petrol Engine)

The fuel filter is located on the way of the fuel hose line under the vehicle body.

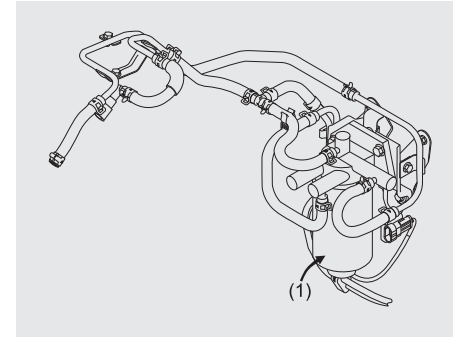


- (1) Fuel filter
- (2) Fuel inlet hose
- (3) Fuel outlet hose

Replace the Fuel Filter

Since special procedures are required, we recommend you take your vehicle to your MARUTI SUZUKI dealer for fuel filter replacement.

(For Diesel Engine)



- (1) Fuel Filter

The fuel filter works as a water sedimentor as well.

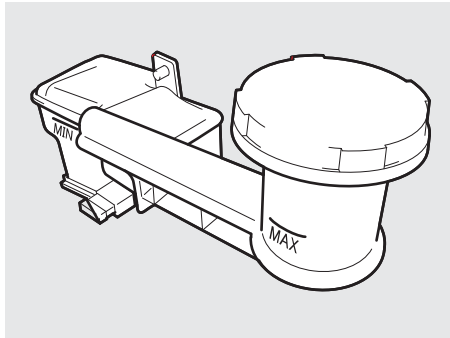
Drain water according to the Periodic Maintenance Schedule. To drain water:

- 1) Place a pan or ample rag under the fuel filter drain nozzle.
- 2) Loosen the drain knob. The water will be drained.
- 3) Tighten the drain knob when the water changes to the diesel fuel.
- 4) Tighten the drain knob.

Note: Trust this job to be carried out at Maruti Suzuki authorised workshop.

Brakes

Brake Fluid



80J004

Check the brake fluid level by looking at the reservoir in the engine compartment. Check that the fluid level is between the “MAX” and “MIN” lines. If the brake fluid level is near the “MIN” line, fill it up to the “MAX” line with **MARUTI GENUINE** brake fluid.

⚠ WARNING

Failure to follow the guidelines below can result in personal injury or serious damage to the brake system.

- If the brake fluid in the reservoir drops below a certain level, the brake warning light on the instrument panel will come on (the engine must be running with the parking brake fully disengaged). Should the light come on, immediately ask your **MARUTI SUZUKI** dealer to inspect the brake system.
- A rapid fluid loss indicates a leak in the brake system which should be inspected by your **MARUTI SUZUKI** dealer immediately.
- **Brake fluid can harm your eyes and damage painted surfaces. Use caution when refilling the reservoir.**
- **Do not use any fluid other than MARUTI GENUINE brake fluid. Do not use reclaimed fluid or fluid that has been stored in old or open containers. It is essential that foreign particles and other liquids are kept out of the brake fluid reservoir.**

⚠ WARNING

Brake fluid is harmful or fatal if swallowed, and harmful if it comes in contact with skin or eyes. If swallowed, do not induce vomiting. Immediately contact a poison control center or a physician. If brake fluid gets in eyes, flush eyes with water and seek medical attention. Wash thoroughly after handling. Solution can be poisonous to animals. Keep out of the reach of children and animals.

NOTE:

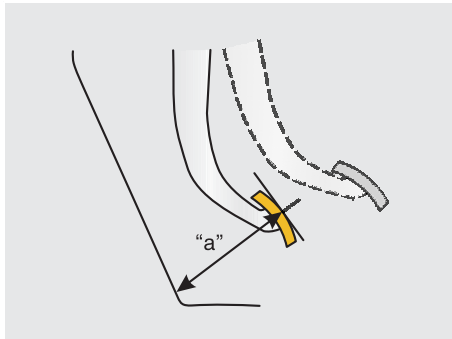
With disc brakes, the fluid level can be expected to gradually fall as the brake pads wear.

Brake Pedal

Check if the brake pedal stops at the regular height without “spongy” feeling when you depress it. If not, have the brake system inspected by your **MARUTI SUZUKI** dealer. If you doubt the brake pedal for the regular height, check it as follows:

INSPECTION AND MAINTENANCE

55KS0-74E



54G108

Pedal to Floor carpet minimum distance "a":
40 mm (1.6 in.)

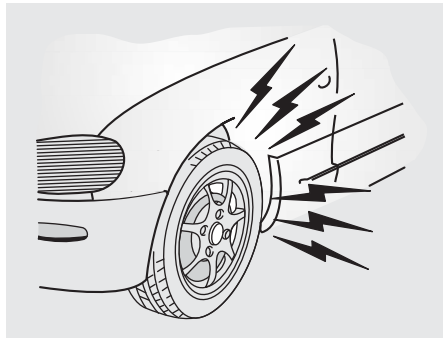
With the engine running, measure the distance between the brake pedal and floor carpet when the pedal is depressed with approximately 30 kg (66 lbs) of force. The minimum distance required is as specified. Since your vehicle's brake system is self-adjusting, there is no need for pedal adjustment.

If the pedal to floor carpet distance as measured above is less than the minimum distance required, have your vehicle inspected by your MARUTI SUZUKI dealer.

8-21

NOTE:

When measuring the distance between the brake pedal and floor carpet, be sure not to include the floor mat or rubber on the floor wall in your measurement.



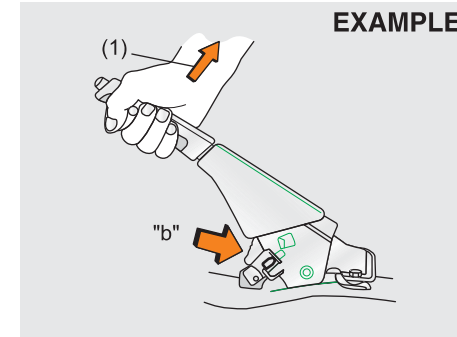
60G104S

⚠ WARNING

If you experience any of the following problems with your vehicle's brake system, have the vehicle inspected immediately by your MARUTI SUZUKI dealer.

- Poor braking performance
- Uneven braking (Brakes not working uniformly on all wheels.)
- Excessive pedal travel
- Brake dragging
- Excessive noise
- Pedal pulsation (Pedal pulsates when depressed.)

Parking Brake



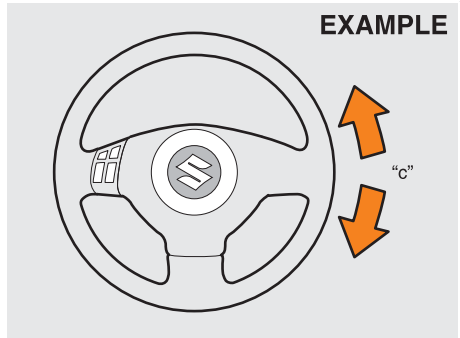
54G109

Ratchet tooth specification "b":
4th – 9th
Lever pull force (1):
200 N (20 kg, 44 lbs)

Check the parking brake for proper adjustment by counting the number of clicks made by the ratchet teeth as you slowly pull up on the parking brake lever to the point of full engagement. The parking brake lever should stop between the specified ratchet teeth and the rear wheels should be securely locked. If the parking brake is not properly adjusted or the brakes drag after the lever has been fully released, have the parking brake inspected and/or adjusted by your MARUTI SUZUKI dealer.

146

Steering



80J005

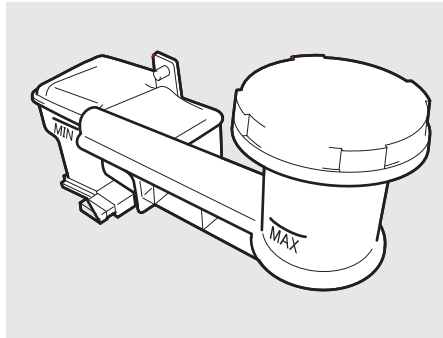
**Steering wheel play "c":
0 – 30 mm (0.0 – 1.2 in.)**

Check the play of the steering wheel by gently turning it from left to right and measuring the distance that it moves before you feel slight resistance. The play should be between the specified values.

Check that the steering wheel turns easily and smoothly without rattling by turning it all the way to the right and to the left while driving very slowly in an open area. If the amount of free play is outside the specification or you find anything else to be wrong, an inspection must be performed by your MARUTI SUZUKI dealer.

Clutch Pedal

Fluid Control Clutch



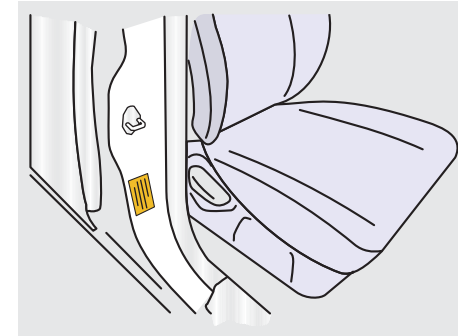
80J004

Check the clutch pedal for smooth operation and clutch fluid level from time to time. If clutch dragging is felt with the pedal fully depressed, have the clutch inspected by your MARUTI SUZUKI dealer. If the clutch fluid level is near the "MIN" line, fill it up to the "MAX" line with MARUTI GENUINE brake fluid.

⚠ WARNING

Do not pump clutch pedal continuously, as it may harm the clutch system.

Tyres



61J035

The front and rear tyre pressure specifications for your vehicle are listed on the Tyre Information Label. Both the front and rear tyres should have the specified tyre pressure.

INSPECTION AND MAINTENANCE

55KS0-74E

Tyre Inspection

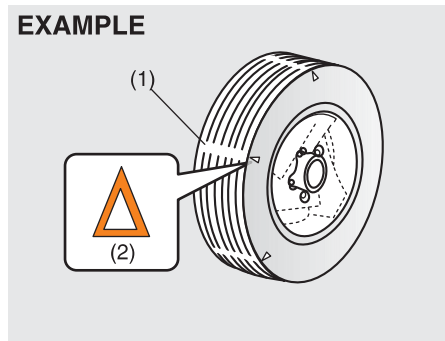
Inspect your vehicle's tyres at least once a month by performing the following checks:

- 1) Measure the air pressure with a tyre gauge. Adjust the pressure if necessary. Remember to check the spare tyre, too.

⚠ WARNING

- Air pressures should be checked when the tyres are cold or you may get inaccurate readings.
- Check the inflation pressure from time to time while inflating the tyre gradually, until the specified pressure is obtained.
- Never underinflate or overinflate the tyres.
Underinflation can cause unusual handling characteristics or can cause the rim to slip on the tyre bead, resulting in an accident or damage to the tyre or rim.
Overinflation can cause the tyre to burst, resulting in personal injury.
Overinflation can also cause unusual handling characteristics which may result in an accident.

EXAMPLE



- (1) Tread wear indicator
- (2) Indicator location mark

- 2) Check that the depth of the tread groove is more than 1.6 mm (0.06 in.). To help you check this, the tyres have molded-in tread wear indicators in the grooves. When the indicators appear on the tread surface, the remaining depth of the tread is 1.6 mm (0.06 in.) or less and the tyre should be replaced.
- 3) Check for abnormal wear, cracks and damage. Any tyres with cracks or other damage should be replaced. If any tyres show abnormal wear, have them inspected by your MARUTI SUZUKI dealer.

⚠ WARNING

Hitting curbs and running over rocks can damage tyres and affect wheel alignment. Be sure to have tyres and wheel alignment checked periodically by your MARUTI SUZUKI dealer.

- 4) Check for loose wheel nuts.
- 5) Check that there are no nails, stones or other objects sticking into the tyres.

▲ WARNING

- **Your vehicle is equipped with tyres which are all the same type and size. This is important to ensure proper steering and handling of the vehicle. Never mix tyres of different size or type on the four wheels of your vehicle. The size and type of tyres used should be only those approved by MARUTI SUZUKI as standard or optional equipment for your vehicle.**
- **Replacing the wheels and tyres equipped on your vehicle with certain combinations of aftermarket wheels and tyres can significantly change the steering and handling characteristics of your vehicle.**
- **Therefore, use only those wheel and tyre combinations approved by MARUTI SUZUKI as standard or optional equipment for your vehicle.**

CAUTION

Replacing the original tyres with tyres of a different size may result in false speedometer or odometer readings. Check with your MARUTI SUZUKI dealer before purchasing replacement tyres that differ in size from the original tyres.

Tubeless Tyres (If equipped)

In tubeless tyre, a thin layer of butyl rubber is used for lining the inside of the tubeless tyre. This layer is to prevent air loss and fulfilling the purpose of tube. The air pressure is maintained by the sealing between tyre bead and wheel rim. Tubeless tyres are having advantage of slow air loss and preventing sudden deflation while driving.

Care and maintenance tips for tubeless tyres

- 1) Always maintain recommended inflation pressure. Driving continuously at low inflation pressure can lead to tyre damage.
- 2) In case any leakage is found, check for any nail penetration/valve core damage or rim bent. Damaged wheel must not be used.
- 3) In case tyre has run at low pressure, it must be inspected for any defect.
- 4) Whenever new tyre is fitted, also replace the valve.
- 5) If continuous high speed driving is required, increase tyre pressure by 5 psi over recommended inflation pressure.
- 6) Never run the tyre beyond TWI (Tread wear indicator). The tyre is recommended to be replaced when the remaining tread has worn to this point. The indicators are spaced across the tread around the tyre marked by a triangular symbol (TWI).

INSPECTION AND MAINTENANCE

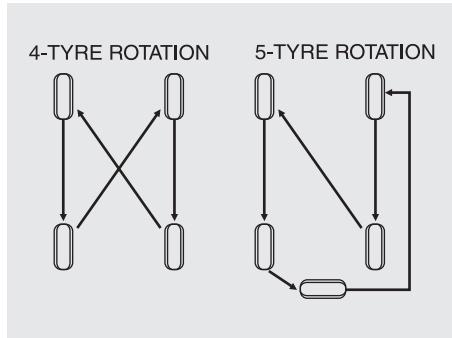
- 7) Always prefer tubeless tyre mounting machine. In case of manual mounting tyre/wheel rim damage may occur.
- 8) In case of any problem, please get in touch with MARUTI SUZUKI authorised dealer.

INSPECTION AND MAINTENANCE

55KS0-74E

Tyre Rotation

5-tyre rotation



To avoid uneven wear of your tyres and to prolong their life, rotate the tyres as illustrated. Tyres should be rotated as mentioned in periodic maintenance schedule. After rotation, adjust front and rear tyre pressures to the specification listed on your vehicle's Tyre Information Label.

Wheel Balancing

If the vehicle vibrates abnormally on smooth road, have the wheel balanced at Maruti Suzuki Authorized Workshop.

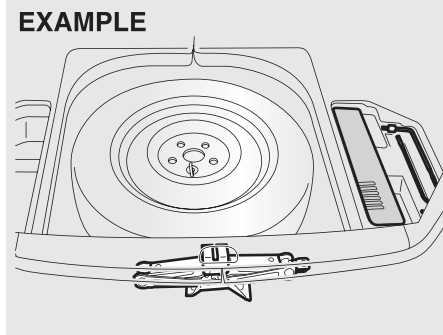
Wheel Alignment

In case of abnormal tyre wear or pulling towards one side, have the wheel aligned at Maruti Suzuki Authorized Workshop.

8-25

Changing Wheels

EXAMPLE



To change a wheel, use the following procedure:

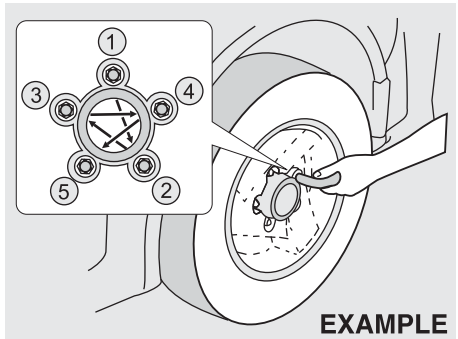
- 1) Remove the jack, tools and spare wheel from the vehicle.
- 2) Loosen, but do not remove the wheel nuts.
- 3) Jack up the vehicle (follow the jacking instructions in the "EMERGENCY SERVICE" section in this manual)

⚠ WARNING

- Be sure to shift into "P" (Park) in automatic transmission or "R" (Reverse) in manual transmission when you jack up the vehicle.
- Never jack up the vehicle with the transmission in "N" (Neutral). Otherwise, unstable jack may cause an accident.

- 4) Remove the wheel nuts and wheel.
- 5) Before installing the new wheel, clean any mud or dirt off from the surface of the wheel and hub with a clean cloth. Clean the hub carefully; it may be hot from driving.
- 6) Install the new wheel and replace the wheel nuts with their cone shaped end facing the wheel. Tighten each nut snugly by hand until the wheel is securely seated on the hub.
- 7) Lower the jack and fully tighten the nuts in a crisscross fashion with a wrench as shown in the illustration.

150



EXAMPLE

81A057

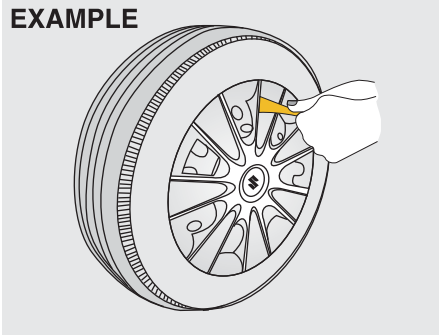
Tightening torque for wheel nut
 85 Nm (8.5 kgf-m, 61.5 lb-ft)

⚠ WARNING

Use genuine wheel nuts and tighten them to the specified torque as soon as possible after changing wheels. Incorrect wheel nuts or improperly tightened wheel nuts may come loose or fall off, which can result in an accident. If you do not have a torque wrench, have the wheel nut torque checked by an authorized MARUTI SUZUKI workshop.

Full Wheel Cover (if equipped)

EXAMPLE



60G309

Insert a piece of cloth between the spokes of the wheel cover and try to pull the cover outward (as shown in figure). Take out the detached wheel cover from the wheel rim. For installation first match the slot at the wheel cover with the air filling nozzle of the wheel. Apply equal pressure at the circumference of the wheel cover to fix it in the wheel rim.

Battery

⚠ WARNING

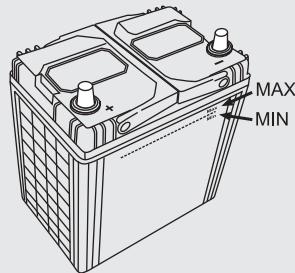
- Batteries produce flammable hydrogen gas. Keep flames and sparks away from the battery or an explosion may occur. Never smoke when working in the vicinity of the battery.
- When checking or servicing the battery, disconnect the negative cable. Be careful not to cause a short circuit by allowing metal objects to contact the battery posts and the vehicle at the same time.
- To avoid harm to yourself or damage to your vehicle or battery, follow the jump starting instructions in the "EMERGENCY SERVICE" section of this manual if it is necessary to jump start your vehicle.

INSPECTION AND MAINTENANCE

55KS0-74E

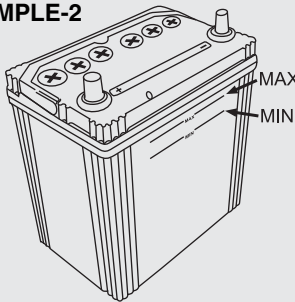
Petrol

EXAMPLE-1



54G118

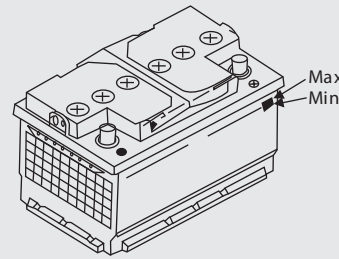
EXAMPLE-2



54G118

Diesel

EXAMPLE



54G118

The level of the battery solution must be kept between the "MAX" and the "MIN" level lines at all times. If the level is found to be below the "MIN" level line, add distilled water to the "MAX" level line. You should periodically check the battery, battery terminals, and battery hold-down bracket for corrosion. Remove corrosion using a stiff brush and ammonia mixed with water, or baking soda mixed with water. After removing corrosion, rinse with clean water.

If your vehicle is not going to be driven for a month or longer, disconnect the cable from the negative terminal of the battery to help prevent discharge.

Fuses

Your vehicle has three types of fuses, as described below:

Main fuse

The main fuse takes current directly from the battery.

Primary fuses

These fuses are between the main fuse and individual fuses, and are for electrical load groups.

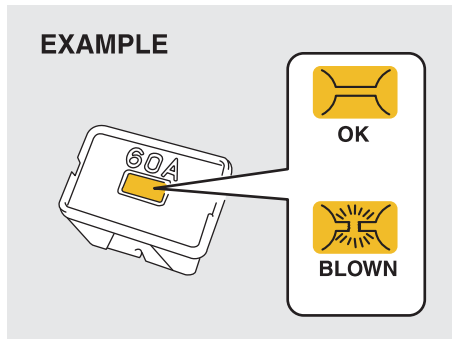
Individual fuses

These fuses are for individual electrical circuits.

Fuses in the Engine Compartment

The main fuse, primary fuses and some of the individual fuses are located in the engine compartment. If the main fuse blows, no electrical component will function. If a primary fuse blows, no electrical component in the corresponding load group will function. When replacing the main fuse, a primary fuse or an individual fuse, use a MARUTI genuine replacement.

55KS0-74E

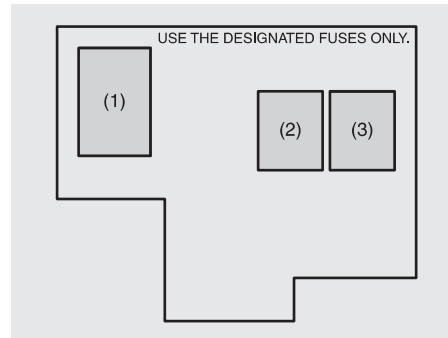


60G111

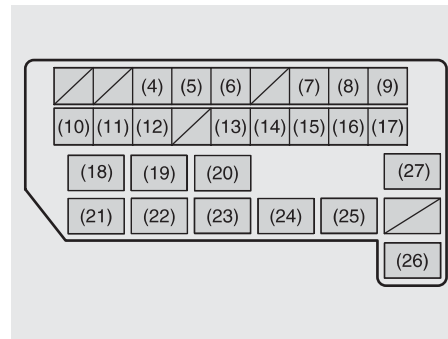
⚠ WARNING

If the main fuse or a primary fuse blows, be sure to have your vehicle inspected by a MARUTI SUZUKI authorized dealer. Always use a MARUTI genuine replacement. Never use a substitute such as a wire even for a temporary repair, or extensive electrical damage and a fire can result.

**Fuses in the Engine Compartment
(For Petrol Engine)**



80J051



56KN045

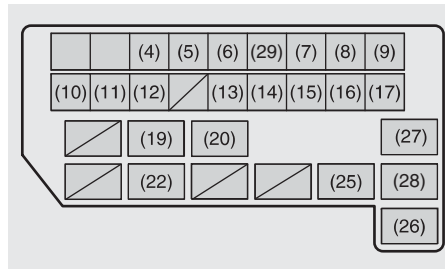
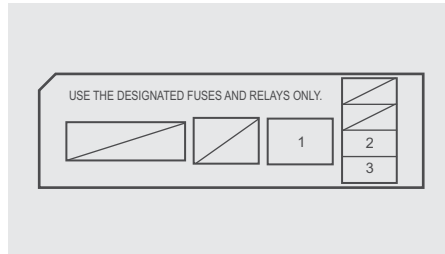
MAIN FUSE / PRIMARY FUSE		
(1)	80A	All electric load
(2)	50A	Power window, Ignition, Wiper, Starter
(3)	50A	Tail light, Rear defogger, Door lock, Hazard/Horn, Dome
(4)	15A	Head light (Right) fuse
(5)	15A	Head light (Left) fuse
(6)	20A	Front fog light fuse
(7)	60A	Power steering control module fuse
(8)	40A	ABS control module fuse
(9)	30A	Radiator fan fuse
(10)	30A	ABS control module fuse
(11)	30A	Starting motor fuse
(12)	50A	Ignition switch fuse
(13)	30A	Blower fan fuse
(14)	20A	Air compressor fuse
(15)	15A	Throttle motor fuse
(16)	15A	Automatic transmission fuse
(17)	15A	Fuel injection fuse

INSPECTION AND MAINTENANCE

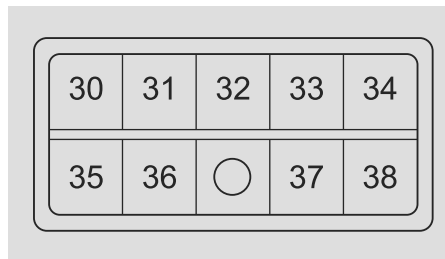
55KS0-74E

(18)	–	Automatic transmission relay
(19)	–	Air compressor relay
(20)	–	Fuel pump relay
(21)	–	Condenser fan relay
(22)	–	Front fog light relay
(23)	–	Blank
(24)	–	FI MAIN
(25)	–	Starting motor relay
(26)	–	Radiator fan relay
(27)	–	Blank

(For Diesel Engine)



56KN045D



MAIN FUSE / PRIMARY FUSE		
(1)	–	FI Main relay
(2)	20A	FI
(3)	10A	INJ DVR
(4)	15A	Head light (Right) fuse
(5)	15A	Head light (Left) fuse
(6)	20A	Front fog light fuse
(7)	60A	Power steering control module fuse
(8)	40A	ABS control module fuse
(9)	30A	Radiator fan fuse
(10)	30A	ABS control module fuse
(11)	30A	Starting motor fuse
(12)	50A	Ignition switch fuse
(13)	30A	Blower fan fuse
(14)	10A	Air compressor fuse
(15)	20A	Fuel, pump fuse
(16)	30A	CDSR fuse
(17)	30A	Fuel injection fuse
(18)	–	Blank
(19)	–	Air compressor relay
(20)	–	Fuel pump relay
(21)	–	Blank

154

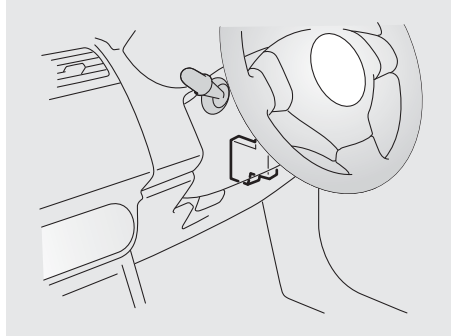
Bulb Replacement: 7

55KS0-74E

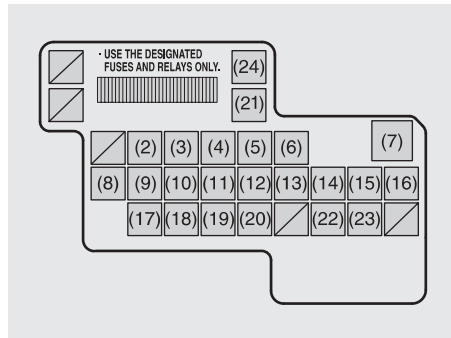
INSPECTION AND MAINTENANCE

(22)	-	Front fog light relay
(23)	-	Blank
(24)	-	Blank
(25)	-	Starting motor relay
(26)	-	Radiator fan relay
(27)	-	RDTR fan 3 relay
(28)	-	RDTR fan 2 relay
(29)	50A	IGN2 fuse
(30)	80A	Glow Plug
(31)	30A	Fuel Heater
(32)	140A	Main
(33)	50A	Lamp
(34)	30A	Sub Htr1
(35)	30A	Sub Htr 3
(36)	30A	Sub Htr 2
(37)	-	+B2
(38)	-	+B1

Fuses under the Dash Board



79J093



56KN046

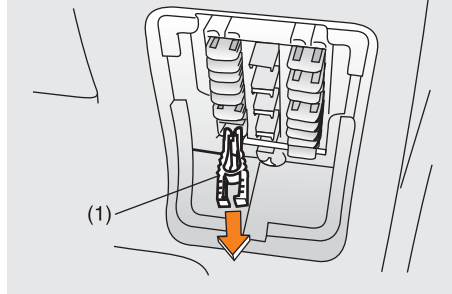
MAIN FUSE / PRIMARY FUSE		
(1)	-	Blank
(2)	15A	Ignition coil
(3)	10A	Back-up light
(4)	10A	Meter
(5)	15A	Accessory
(6)	15A	Accessory 2
(7)	30A	Power window
(8)	30A	Wiper
(9)	10A	IG1 SIG
(10)	15A	Air bag
(11)	10A	Anti-lock brake system
(12)	10A	Tail light
(13)	15A	Stop light
(14)	20A	Door lock
(15)	10A	ECU (Diesel only)
(16)	10A	ST SIG
(17)	-	Blank
(18)	10A	IG 2 SIG
(19)	10A	Rear fog light
(20)	15A	Dome

INSPECTION AND MAINTENANCE

55KS0-74E

(21)	30A	Rear defogger
(22)	15A	Horn / Hazard
(23)	–	Blank
(24)	–	Blank

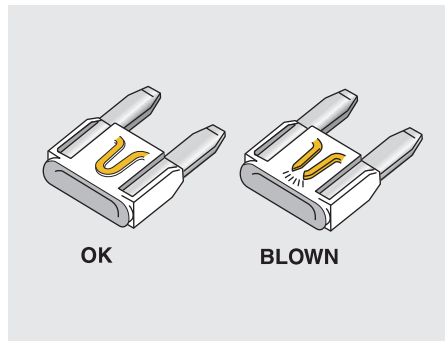
EXAMPLE



54G256

(1) Fuse puller

The fuses are also located under the driver's side of the dashboard. Remove the fuse box lid by pulling it off. To remove a fuse, use the fuse puller provided in the fuse box. The amperage of each fuse is shown on the top of the fuse box cover.



65D046

⚠ WARNING

Always be sure to replace a blown fuse with a fuse of the correct amperage. Never use a substitute such as aluminum foil or wire to replace a blown fuse. If you replace a fuse and the new one blows in a short period of time, you may have a major electrical problem. Have your vehicle inspected immediately by your **MARUTI SUZUKI** dealer.

Bulb Replacement

⚠ WARNING

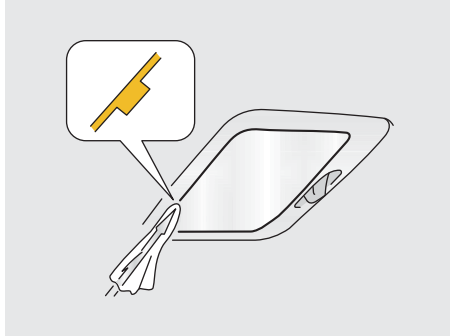
- Light bulbs can be hot enough to burn your finger right after being turned off. This is true especially for halogen headlight bulbs. Replace the bulbs after they become cool enough.
- The headlight bulbs are filled with pressurized halogen gas. They can burst and injure you if they are hit or dropped. Handle them carefully.

CAUTION

The oils from your skin may cause a halogen bulb to overheat and burst when the lights are on. Grasp a new bulb with a clean cloth.

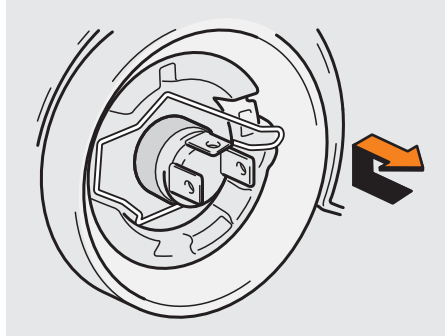
CAUTION

Frequent replacement of a bulb indicates the need for an inspection of the electrical system. This should be carried out by your **MARUTI SUZUKI** dealer.

Center Interior Light (if equipped)

60G115

Pull down the lens by using a plane screw driver covered with a soft cloth as shown. To install it, simply push it back in. The bulb can be removed by simply pulling it out. When replacing the bulb, make sure that the contact springs are holding the bulb securely.

Headlight (Petrol)

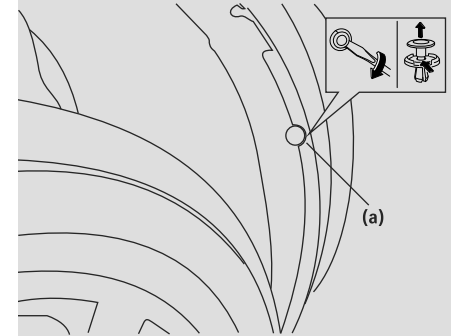
54G121

Open the engine hood. Disconnect the coupler. Remove the sealing rubber.

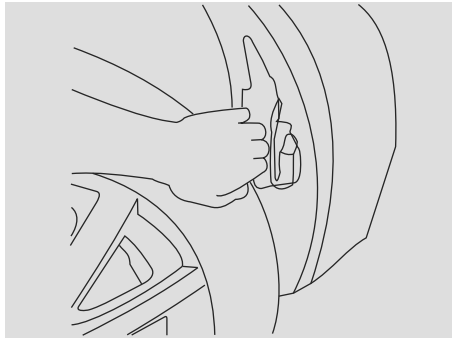
Push the retaining spring forward and unhook it. Then remove the bulb. Install a new bulb in the reverse order of removal.

(Diesel)

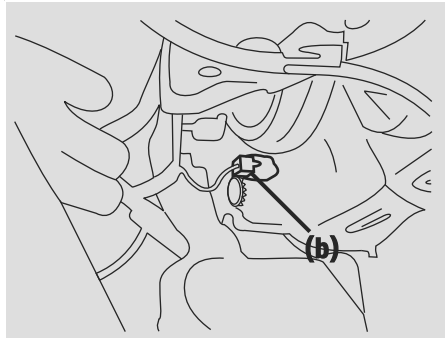
Trust this job to Maruti Suzuki Authorised workshop.

Front Position Light (Diesel)

- 1) Insert a flat blade screwdriver into the hole of front center cover clip (a) and remove the clip by twisting the screw driver as shown in the illustration.



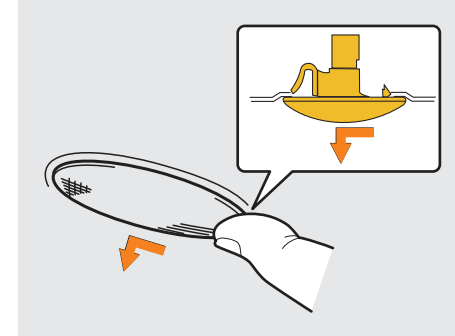
2) Open the fender cover.



(3) Remove front position light (b).

Install the front position light by reversing the removal process.

Side Turn Signal Light

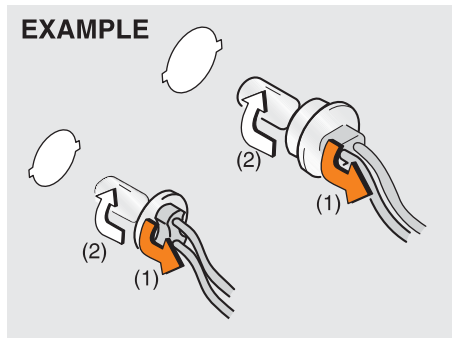


64J195

Remove the light assembly by sliding the light housing leftward with your finger.

Other General Lights

Bulb holder

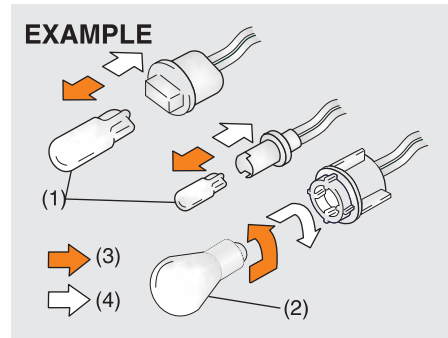


54G123

- (1) Removal
(2) Installation

To remove a bulb holder from a light housing, turn the holder counterclockwise and pull it out. To install the holder, push the holder in and turn it clockwise.

Bulb



54G124

- (3) Removal
(4) Installation

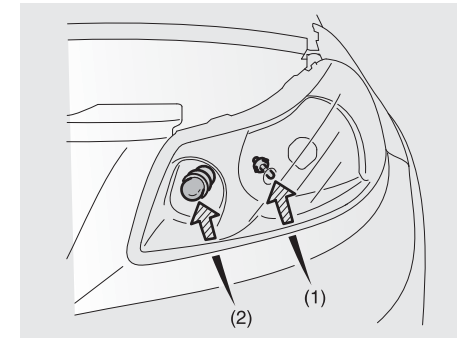
There are two types of bulb, "Full glass type" (1) and "Glass/metal type" (2).

To remove and install a full glass type bulb (1), simply pull out or push in the bulb.

To remove a glass metal type bulb (2) from a bulb holder, push in the bulb and turn it counterclockwise. To install a new bulb, push it in and turn it clockwise.

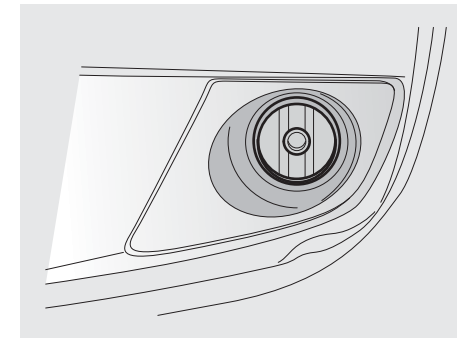
You can access the individual bulb or bulb holders as follows.

Front parking light (1) Front turn signal light (2)



79J012

Front fog light (if equipped)

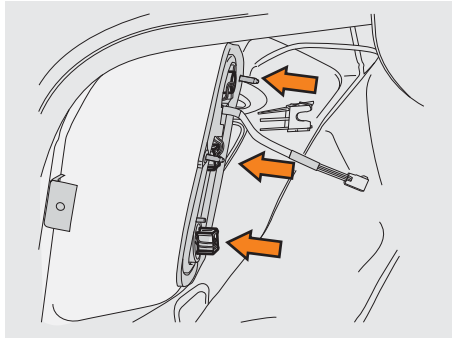


55KS039

INSPECTION AND MAINTENANCE

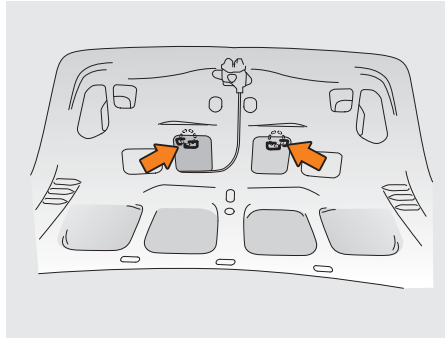
55KS0-74E

Rear combination light (tail, stop, turn signal, etc.)

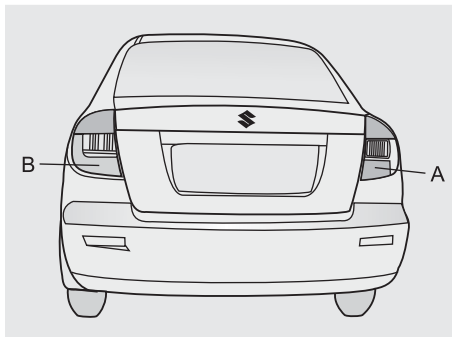


55KS043

License plate light



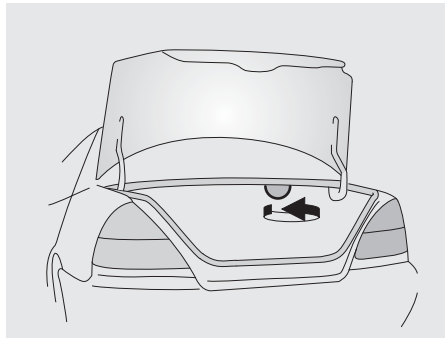
Rear Lamps



56KN048

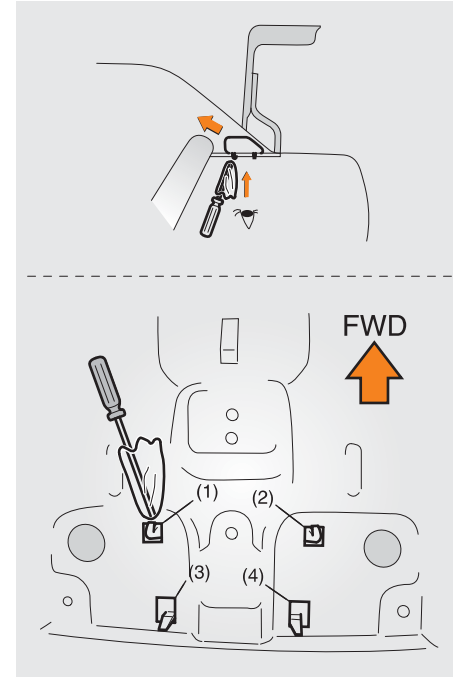
A - Rear Fog Lamp
B - Reverse Signal Lamp

Trunk room light

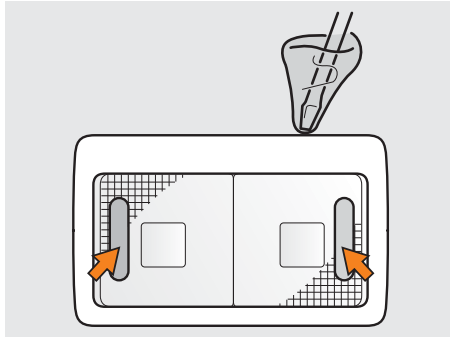


56KN004

High-mount stop light



54G306

Spot light (if equipped)

79J131

Wiper Blades

54G129

If the wiper blades become brittle or damaged, or make streaks when wiping, replace the wiper blades.

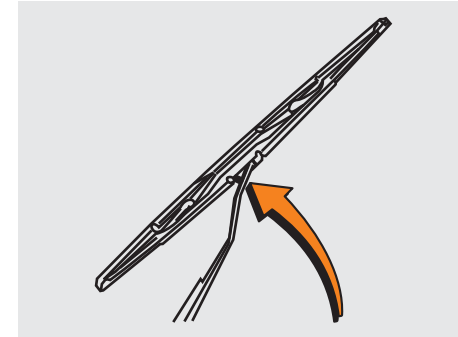
To install new wiper blades, follow the procedures below.

CAUTION

To avoid scratching or breaking the window, do not let the wiper arm strike the window while replacing the wiper blade.

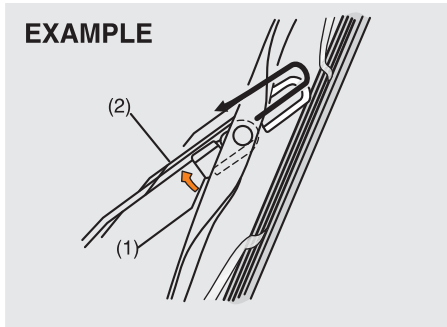
NOTE:

Some wiper blades may be different from the ones described here depending on vehicle specifications. If so, consult your MARUTI SUZUKI dealer for proper replacement method.

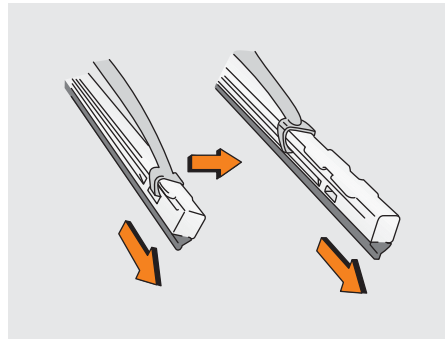
For windshield wipers:

70G119

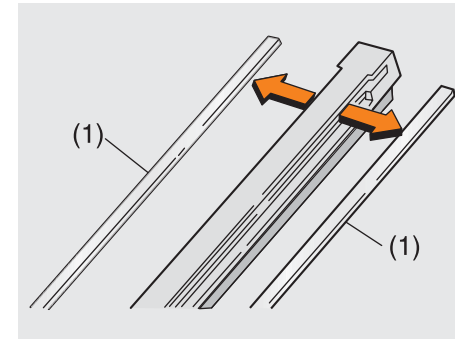
- 1) Hold the wiper arm away from the window.



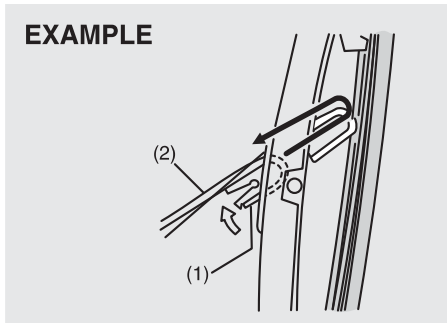
Removal



60A260

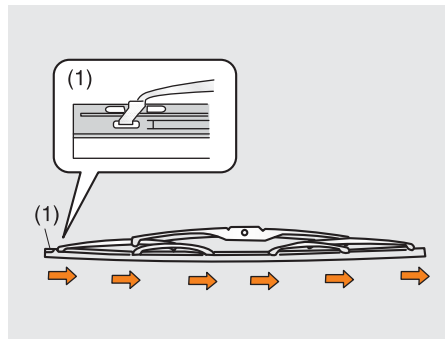


54G135



54G130

Installation



54G132

(1) Retainer

- 4) If the new blade is provided without the two metal retainers, move them from the old blade to the new one.
- 5) Install the new blade in the reverse order of removal, with the locked end positioned toward the wiper arm. Make sure the blade is properly retained by all the hooks. Lock the blade end into place.
- 6) Reinstall wiper frame to arm, making sure that the lock lever is snapped securely into the arm.

(1) Locked end

Air Conditioning System

If you do not use the air conditioner for a long period, such as during winter, it may not give the best performance when you start using it again. To help maintain optimum performance and durability of your air conditioner, it needs to be run periodically. Operate the air conditioner at least once a month for one minute with the engine idling. This circulates the refrigerant and oil and helps protect the internal components.

MEMO

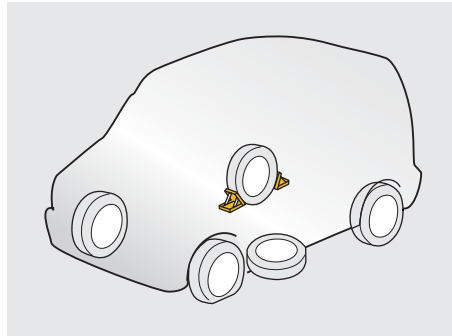
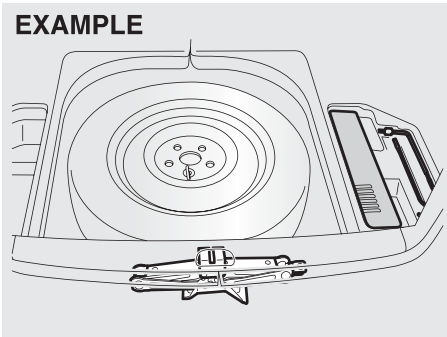
EMERGENCY SERVICE

Jacking Instructions	9-1
Jump Starting Instructions	9-3
Towing	9-4
If the Starter Does Not Operate	9-5
If the Engine is Flooded	9-5
If the Engine Overheats	9-5
If You Can Not Shift Automatic Transmission	
Gearshift Lever Out of "P" (PARK).....	9-7

EMERGENCY SERVICE

55KS0-74E

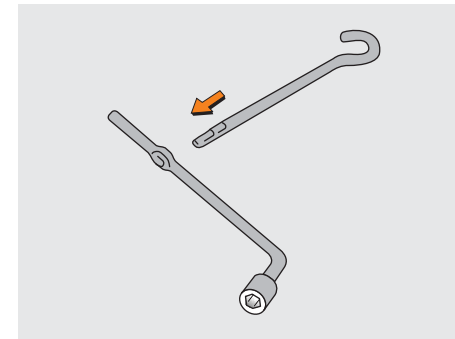
Jacking Instructions



- 1) Place the vehicle on level, hard ground.
- 2) Set the parking brake firmly and shift into "R" Reverse (gear).

⚠ WARNING

- Be sure to shift into "P" (Park) for an automatic transmission vehicle, or into "R" (Reverse) for a manual transmission vehicle when you jack up the vehicle.
- Never jack up the vehicle with the transmission in "N" (Neutral). Otherwise, unstable jack may cause an accident.



- 3) Turn on the hazard warning flasher if your vehicle is near traffic.
- 4) Block the front and rear of the wheel diagonally opposite of the wheel being lifted.
- 5) Place the spare wheel near the wheel being lifted as shown in the illustration in case that the jack slips.
- 6) Position the jack vertically and raise the jack by turning the jack handle clockwise until the jack head groove fits around the jacking bar beneath the vehicle body.
- 7) Continue to raise the jack slowly and smoothly until the tyre clears the ground. Do not raise the vehicle more than necessary.

Jacking Instructions: 5

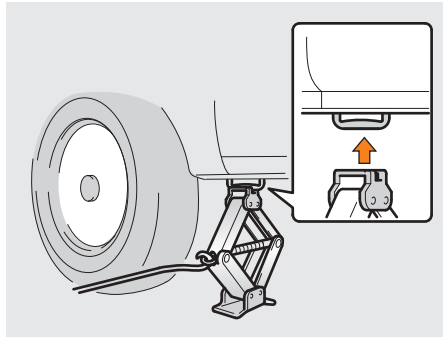
55KS0-74E

EMERGENCY SERVICE

⚠ WARNING

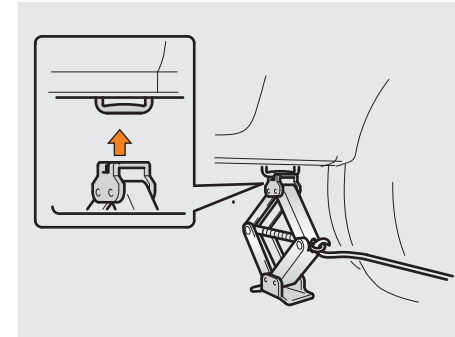
- Use the jack only to change wheels.
- Never jack up the vehicle on an inclined surface.
- Never raise the vehicle with the jack in a location other than the specified jacking point (shown in the illustration) near the wheel to be changed.
- Make sure that the jack is raised at least 51 mm (2 inches) before it contacts the flange. Use of the jack when the ground within 51 mm, will not give sufficient space to raise the jack. This may result in the failure of the jack.
- Never get under the vehicle when it is supported by the jack.
- Never run the engine when the vehicle is supported by the jack and never allow passengers to remain in the vehicle.

Front wheel



79J017

Rear wheel



79J018

EMERGENCY SERVICE

55KS0-74E

Jump Starting Instructions

▲ WARNING

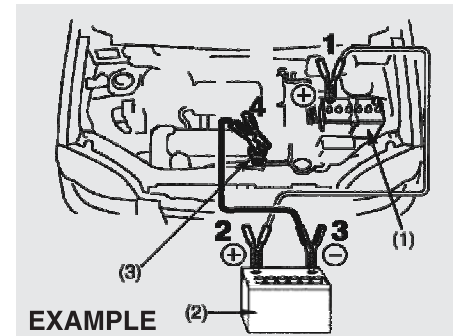
- Never attempt to jump start your vehicle if the battery appears to be frozen. Batteries in this condition may explode or rupture if jump starting is attempted.
- When making jump lead connections, be certain that your hands and the jump leads remain clear from pulleys, belts, or fans.
- Batteries produce flammable hydrogen gas. Keep flames and sparks away from the battery or an explosion may occur. Never smoke when working in the vicinity of the battery.
- If the booster battery you use for jump starting is installed in another vehicle, make sure the two vehicles are not touching each other.
- If your battery discharges repeatedly, for no apparent reason, have your vehicle inspected by an authorized MARUTI SUZUKI dealer.
- To avoid harm to yourself or damage to your vehicle or battery, follow the jump starting instructions below precisely and in order. If you are in doubt, call for qualified road service.

CAUTION

Your vehicle should not be started by pushing or towing. This starting method could result in permanent damage to the catalytic converter. Use jump leads to start a vehicle with a weak or flat battery.

When Jump Starting Your Vehicle, Use the Following Procedure:

- 1) Use only a 12 volt battery to jump start your vehicle. Position the good 12 V battery close to your vehicle so that the jump leads will reach both batteries. When using a battery installed on another vehicle, DO NOT LET THE VEHICLES TOUCH. Set the parking brakes fully on both vehicles.
- 2) Turn off all vehicle accessories, except those necessary for safety reasons (for example, headlights or hazard lights).



EXAMPLE

54G079

- 3) Make jump lead connections as follows:
 1. Connect one end of the first jump lead to the positive (+) terminal of the flat battery (1).
 2. Connect the other end to the positive (+) terminal of the booster battery (2).
 3. Connect one end of the second jump lead to the negative (-) terminal of the booster battery (2).
 4. Make the final connection to an unpainted, heavy metal part (i.e. engine hook (3)) of the engine of the vehicle with the flat battery (1).

⚠ WARNING

Never connect the jump lead directly to the negative (-) terminal of the discharged battery, or an explosion may occur.

- 4) If the booster battery you are using is fitted to another vehicle, start the engine of the vehicle with the booster battery. Run the engine at moderate speed.
- 5) Start the engine of the vehicle with the flat battery.
- 6) Remove the jump leads in the exact reverse order in which you connected them.

Towing

If you need to have your vehicle towed, contact a professional service. Your dealer can provide you with detailed towing instructions.

CAUTION

To help avoid damage to your vehicle during towing, proper equipment and towing procedures must be used.

2-Wheel Drive (2WD) Automatic Transmission

Automatic transmission vehicles may be towed using either of the following methods.

- 1) From the front, with the front wheels lifted and the rear wheels on the ground. Before towing, make sure that the parking brake is released.
- 2) From the rear, with the rear wheels lifted and a dolly under the front wheels.

CAUTION

Towing your vehicle with the front wheels on the ground can result in damage to the automatic transmission.

2-Wheel Drive (2WD) Manual Transmission

Manual transmission vehicles may be towed using either of the following methods.

- 1) From the front, with the front wheels lifted and the rear wheels on the ground. Before towing, make sure that the parking brake is released.
- 2) From the rear, with the rear wheels lifted and the front wheels on the ground, provided the steering and drivetrain are in operational condition. Before towing, make sure that transmission is in neutral, the steering wheel is unlocked (the ignition key should be in the "ACC" position), and the steering wheel is secured with a clamping device designed for towing service.

CAUTION

The steering column is not strong enough to withstand shocks transmitted from the front wheels during towing. Always unlock the steering wheel before towing.

EMERGENCY SERVICE

55KS0-74E

If the Starter Does Not Operate

- 1) Try turning the ignition switch to the "START" position with the headlights turned on to determine the battery condition. If the headlights go excessively dim or go off, it usually means that either the battery is flat or the battery terminal contact is poor. Recharge the battery or correct battery terminal contact as necessary.
- 2) If the headlights remain bright, check the fuses. If the reason for failure of the starter is not obvious, there may be a major electrical problem. Have the vehicle inspected by your MARUTI SUZUKI authorized dealer.

If the Engine is Flooded

If the engine is flooded with petrol, it may be hard to start. If this happens, press the accelerator pedal all the way to the floor and hold it there while cranking the engine. (Do not operate the starter motor for more than 15 seconds).

If the Engine Overheats

The engine could overheat temporarily under severe driving conditions. If the engine coolant temperature gauge indicates overheating during driving:

- 1) Turn off the air conditioner, if equipped.
- 2) Take the vehicle to a safe place and park.
- 3) Let the engine run at the normal idle speed for a few minutes until the indicator is within the normal, acceptable temperature range between "H" and "C".

WARNING

If you see or hear escaping steam, stop the vehicle in a safe place and immediately turn off the engine to let it cool. Do not open the hood when steam is present. When the steam can no longer be seen or heard, open the hood to see if the coolant is still boiling. If it is, you must wait until it stops boiling before you proceed.

Towing: 6
If the Starter Does Not Operate: 2, 9

55KS0-74E

EMERGENCY SERVICE

If the temperature indication does not come down to within the normal, acceptable range:

- 1) Turn off the engine and check that the water pump belt and pulleys are not damaged or slipping. If any abnormality is found, correct it.
- 2) Check the coolant level in the reservoir. If it is found to be lower than the "LOW" line, look for leaks at the radiator, water pump, and radiator and heater hoses. If you locate any leaks that may have caused the overheating, do not run the engine until these problems have been corrected.
- 3) If you do not find a leak, carefully add coolant to the reservoir and then the radiator, if necessary. (Refer to "Engine Coolant" in the "INSPECTION AND MAINTENANCE" section.)

Petrol Engine



79J007

Diesel Engine



65D350D

⚠ WARNING

- It is hazardous to remove the radiator cap when the water temperature is high, because scalding fluid and steam may be blown out under pressure. The cap should only be taken off when the coolant temperature has lowered.
- To help prevent personal injury, keep hands, tools and clothing away from the engine cooling fan and air-conditioner fan (if equipped). These electric fans can automatically turn on without warning.

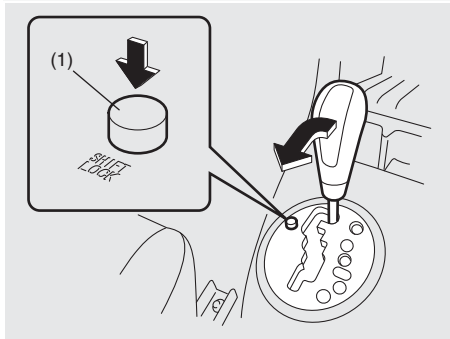
If the Engine is Flooded: 2, 9
If the Engine Overheats: 2, 9

EMERGENCY SERVICE

55KS0-74E

If You Can Not Shift Automatic Transmission Gearshift Lever Out of “P” (PARK)

Right Hand Drive Vehicle



63J142

Vehicles with an automatic transmission have an electrically operated park-lock feature. If the vehicle's battery is discharged, or there is some other electrical failure, the automatic transmission cannot be shifted out of Park in the normal way. Jump starting may correct the condition. If not, follow the procedure described below. This procedure will permit shifting the transmission out of Park.

- 1) Be sure the parking brake is firmly applied.
- 2) If the engine is running, stop the engine.

9-7

- 3) Make sure the key is in the “ON” or “ACC” position.
- 4) With pushing the release button (1), shift the gearshift lever to the desired position.

This procedure is for emergency use only. If repeated use of this procedure is necessary, or the procedure does not work as described, take the vehicle to your dealer for repair.

172

55KS0-74E

BODY WORK CARE

Corrosion Prevention	10-1
Vehicle Cleaning	10-2

BODY WORK CARE

55KS0-74E

Corrosion Prevention

It is important to take good care of your vehicle to protect it from corrosion. Listed below are instructions for how to maintain your vehicle to prevent corrosion. Please read and follow these instructions carefully.

Important Information About Corrosion

Common causes of corrosion

- 1) Accumulation of road salt, dirt, moisture, or chemicals in hard to reach areas of the vehicle underbody or frame.
- 2) Chipping, scratches and any damage to treated or painted metal surfaces resulting from minor accidents or abrasion by stones and gravel.

Environmental conditions which accelerate corrosion

- 1) Road salt, dust control chemicals, sea air or industrial pollution will all accelerate the corrosion of metal.
- 2) High humidity will increase the rate of corrosion particularly when the temperature range is just above the freezing point.
- 3) Moisture in certain areas of a vehicle for an extended period of time may promote corrosion even though other body sections may be completely dry.
- 4) High temperatures will cause an accelerated rate of corrosion to parts of the

vehicle which are not well ventilated to permit quick drying.

This information illustrates the necessity of keeping your vehicle (particularly the underbody) as clean and dry as possible. It is equally important to repair any damage to the paint or protective coatings as soon as possible.

How to Help Prevent Corrosion

Wash your vehicle frequently

The best way to preserve the finish on your vehicle and to help avoid corrosion is to keep it clean with frequent washing.

Wash your vehicle at least once during the winter and once immediately after the winter. Keep your vehicle, particularly the underside, as clean and dry as possible. If you frequently drive on salted roads, your vehicle should be washed at least once a month during the winter. If you live near the ocean, your vehicle should be washed at least once a month throughout the year.

For washing instructions, refer to the "Vehicle Cleaning" section.

Remove foreign material deposits

Foreign material such as salts, chemicals, road oil or tar, tree sap, bird droppings and industrial fall-out may damage the finish of your vehicle if it is left on painted surfaces. Remove these types of deposits as quickly as possible. If these deposits are difficult to wash off, an additional cleaner may be

required. Be sure that any cleaner you use is not harmful to painted surfaces and is specifically intended for your purposes. Follow the manufacturer's directions when using these special cleaners.

Repair finish damage

Carefully examine your vehicle for damage to the painted surfaces. Should you find any chips or scratches in the paint, touch them up immediately to prevent corrosion from starting. If the chips or scratches have gone through to the bare metal, have a qualified body shop make the repair.

Keep passenger and luggage compartments clean

Moisture, dirt or mud can accumulate under the floor mats and may cause corrosion. Occasionally, check under these mats to ensure that this area is clean and dry. More frequent checks are necessary if the vehicle is used off road or in wet weather.

Certain cargos such as chemicals, fertilizers, cleaners, salts, etc. are extremely corrosive by nature. These products should be transported in sealed containers. If a spill or leak does occur, clean and dry the area immediately.

55KS0-74E

Store your vehicle in a dry, well-ventilated area

Do not park your vehicle in a damp, poorly ventilated area. If you often wash your vehicle in the garage or if you frequently drive it in when wet, your garage may be damp. The high humidity in the garage may cause or accelerate corrosion. A wet vehicle may corrode even in a heated garage if the ventilation is poor.

⚠ WARNING

Do not apply additional undercoating or rust preventive coating on or around exhaust system components such as the catalytic converter, exhaust pipes, etc. A fire could be started if the undercoating substance becomes overheated.

Vehicle Cleaning



76G044S

⚠ WARNING

When cleaning the interior or exterior of the vehicle, NEVER USE flammable solvents such as lacquer thinners, petrol, benzene or cleaning materials such as bleaches or strong household detergents. The materials could cause personal injury or damage to the vehicle.

Cleaning the Interior

Vinyl upholstery

Prepare a solution of soap or mild detergent mixed with warm water. Apply the solution to the vinyl with a sponge or soft cloth and let it soak for a few minutes to loosen dirt.

Rub the surface with a clean, damp cloth to remove dirt and the soap solution. If some dirt still remains on the surface, repeat this procedure.

Fabric upholstery

Remove loose dirt with a vacuum cleaner. Using a mild soap solution, rub stained areas with a clean damp cloth. To remove soap, rub the areas again with a cloth dampened with water. Repeat this until the stain is removed, or use a commercial fabric cleaner for tougher stains. If you use a fabric cleaner, carefully follow the manufacturer's instructions and precautions.

Seat belts

Clean seat belts with a mild soap and water. Do not use bleach or dye on the belts. They may weaken the fabric in the belts.

Vinyl floor mats

Ordinary dirt can be removed from vinyl with water or mild soap. Use a brush to help loosen dirt. After the dirt is loosened, rinse the mat thoroughly with water and dry it in the shade.

BODY WORK CARE

55KS0-74E

Carpets

Remove dirt and soil as much as possible with a vacuum cleaner. Using a mild soap solution, rub stained areas with a clean damp cloth. To remove soap, rub the areas again with a cloth dampened with water. Repeat this until the stain is removed, or use a commercial carpet cleaner for tougher stains. If you use a carpet cleaner, carefully follow the manufacturer's instructions and precautions.

Cleaning the Exterior

CAUTION
It is important that your vehicle be kept clean and free from dirt. Failure to keep your vehicle clean may result in fading of the paint or corrosion to various parts of the vehicle body.

Washing



60B212S

WARNING

- Never attempt to wash or wax your vehicle with the engine running.
- When cleaning the underside of the body and fender, where there may be sharp-edged parts, you should wear gloves and a long sleeved shirt to protect your hands and arms from being cut.
- After washing your vehicle, carefully test the brakes before driving to make sure they have maintained their normal effectiveness.

When washing the vehicle, park it where direct sunlight does not fall on it and follow the instructions below:

- 1) Flush the underside of body and wheel housings with pressurized water to remove mud and debris. Use plenty of water.

CAUTION

- When washing the vehicle, avoid directing steam or hot water of more than 80°C (176°F) on plastic parts.
- To avoid damaging engine components, do not use pressurized water in the engine compartment.

- 2) Rinse the body to loosen the dirt. Remove dirt and mud from the body exterior with running water. You may use a soft sponge or brush. Do not use hard materials which can scratch the paint or plastic. Remember that the headlight covers or lenses are made of plastic in many cases.

CAUTION

To avoid damage to the paint or plastic surface, do not wipe the dirt off without ample water. Be sure to follow above procedure.

- 3) Wash the entire exterior with a mild detergent or car wash soap using a

sponge or soft cloth. The sponge or cloth should be frequently soaked in the soap solution.

CAUTION

When using a commercial car wash product, observe the cautions specified by the manufacturer. Never use strong household detergents or soaps.

- 4) Once the dirt has been completely removed, rinse off the detergent with running water.
- 5) After rinsing, wipe off the vehicle body with a wet chamois or cloth and allow it to dry in the shade.
- 6) Check carefully for damage to painted surfaces. If there is any damage, "touch-up" the damage following the procedure below:
 1. Clean all damaged spots and allow them to dry.
 2. Stir the paint and "touch-up" the damaged spots lightly using a small brush.
 3. Allow the paint to dry completely.

CAUTION

If you use an automatic car wash, make sure that your vehicle's body parts, such as spoilers, can not be damaged. If you are in doubt, consult the car wash operator for advice.

Waxing



60B211S

After washing the vehicle, waxing and polishing are recommended to further protect and beautify the paint.

- Only use waxes and polishes of good quality.
- When using waxes and polishes, observe the precautions specified by the manufacturers.

GENERAL INFORMATION

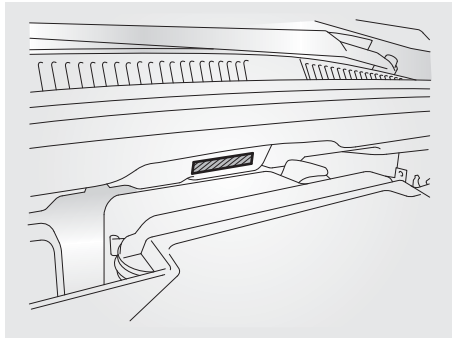
Vehicle Identification 11-1

GENERAL INFORMATION

55KS0-74E

Vehicle Identification

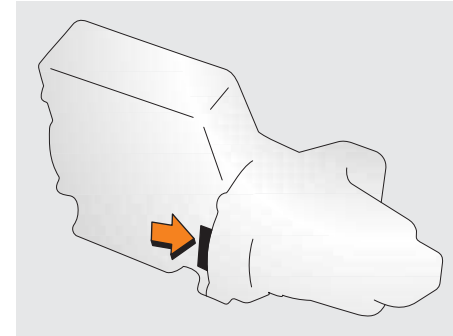
Chassis Serial Number



79J019

The chassis and/or engine serial numbers are used to register the vehicle. They are also used to assist your dealer when ordering or referring to special service information. Whenever you have occasion to consult your MARUTI SUZUKI dealer, remember to identify your vehicle with this number. Should you find the number difficult to read, you will also find it on the identification plate.

Engine Serial Number



60G128

The engine serial number is stamped on the cylinder block as shown in the illustration.

SPECIFICATIONS

NOTE:

Specifications are subject to change without notice.

M/T : Manual Transmission

A/T : Automatic Transmission

ITEM: Dimensions		UNIT: mm	
Overall length		4490	
Overall width		1735	
Overall height	195 tyre	1550 (VXi, VDi)	
	205 tyre	1560 (ZXi, ZDi)	
Wheelbase		2500	
Track	front	1500	
	rear	1495	
Ground clearance	195 tyre	170 (VXi, VDi)	
	205 tyre	180 (ZXi, ZDi)	

ITEM: Mass (weight)		UNIT: kg		
		A/T	Petrol	Diesel
Kerb mass (weight) – standard model		1210	1170 – 1200	1225 – 1245
Gross vehicle (weight) rating		1650	1650	1700
Max permissible axle weights (kgs)	front	840	840	900
	rear	850	850	850

SPECIFICATIONS

55KS0-74E

ITEM: Engine	Petrol	Diesel
Type	M16AN-DOHC	D13A
Number of cylinders	4	4
Bore	78.0 mm	69.6 mm
Stroke	83.0 mm	82 mm
Piston displacement	1586 cm ³	1248 cm ³
Compression ratio	9.7 ± 0.4	17.6 ± 0.4

ITEM: Electrical			
Battery	M/T	12V28AH/5HR - 38B20R	12V52AH/5HR - DIN65
	A/T	12V38AH/5HR - 55B24B	N.A.
Standard spark plug		MICO FR6DC4	N.A.
Fuses		See "INSPECTION AND MAINTENANCE" section.	

55KS0-74E

SPECIFICATIONS

ITEM: Light		WATTAGE	BULB No.
Headlight		12V 60/55W	12H4
Front fog light		12V 35W	12H8
Front turn signal light		12V 21W	12PY21W
Rear turn signal light		12V 21W	12PY21W
Parking light Front		12V 5W	12W5W
Brake/tail light		12V 21/5W	12P21/5W
License plate light		12V 5W	12W5W
Reversing light		12V 21W	12P21W
Dome light		12V 10W	–
Spot light		12V 8W	–
High mount stop light		12V 16W	12W16W
Side turn signal light	Petrol	12V 5W	12WY5W
	Diesel	12V 5W	12W5W

ITEM: Wheel and Suspension		
Tyre size		195/65R15, 205/60R16
Rim size		195 tyre: 15 x 6J 205 tyre: 16 x 6J
Tyre pressures	Front	2.1 kg/cm ² (30 psi)
	Rear	2.1 kg/cm ² (30 psi)

SPECIFICATIONS

55KS0-74E

ITEM: Steering		Petrol	Diesel
Toe-in-Toe-out,mm	Front	IN 1 mm	IN 1 mm
Camber angle		-19'	-19'
Caster angle		3° 51'	3° 51'

ITEM: Capacities (approx.)		Petrol	Diesel	
Coolant (including reservoir tank)	M/T	7.6 L	6.75 L	
	A/T	6.5 L	-	
Fuel tank		50 L	50 L	
Engine oil (replacement with oil filter)		4.3 L	2.9 L (Without filter) (First free service only)	3.1 L (With Filter) (For rest of the services as per periodic maintenance schedule)
Transmission oil	M/T	2.53 L	2.53 L	
	A/T	5.8 L (when overhauling)	-	
		2.6 L (periodic service)	-	