

---

## TABLE OF CONTENTS

---

<b>FUEL RECOMMENDATION</b>	<b>1</b>
<b>BEFORE DRIVING</b>	<b>2</b>
<b>OPERATING YOUR VEHICLE</b>	<b>3</b>
<b>DRIVING TIPS</b>	<b>4</b>
<b>OTHER CONTROLS AND EQUIPMENT</b>	<b>5</b>
<b>INSPECTION AND MAINTENANCE</b>	<b>6</b>
<b>EMERGENCY SERVICE</b>	<b>7</b>
<b>APPEARANCE CARE</b>	<b>8</b>
<b>GENERAL INFORMATION</b>	<b>9</b>
<b>SPECIFICATIONS</b>	<b>10</b>





## FOREWORD

This manual is an essential part of your vehicle and should be kept with the vehicle at all times. Please read this manual carefully and review it from time to time. It contains important information on maintenance. It is especially important that this manual remain with the vehicle at the time of resale. The next owner will need this information also.

You are invited to avail the three free inspection services as described in this manual. Three free inspection coupons are attached to this manual. Please show this manual to your dealer when you take your vehicle for any Service.

To prolong the life of your vehicle and reduce maintenance costs, the periodic maintenance must be carried out according to the "PERIODIC MAINTENANCE SCHEDULE" described in "INSPECTION AND MAINTENANCE" section of this manual. Periodic maintenance is essential for preventing trouble and accidents to ensure your satisfaction and safety.

Daily Inspection and Care as per "DAILY INSPECTION CHECKLIST" described in the "INSPECTION AND MAINTENANCE" section of this Manual is essential for prolonging the operating life of the vehicle and for safe driving.

MARUTI SUZUKI INDIA LIMITED believes in conservation and protection of Earth's natural resources.

To that end, we encourage every vehicle owner to recycle, trade in, or properly dispose of, as appropriate, used motor oil, coolant, and other fluids; batteries; and tyres.

### MARUTI SUZUKI INDIA LIMITED

All information in this manual is based on the latest product information available at the time of publication. Due to improvements or other changes, there may be discrepancies between information in this manual and your vehicle. MARUTI SUZUKI reserves the right to make changes at any time, without notice. This vehicle may not comply with standards or regulations of other countries. Before attempting to register this vehicle in any other country, check all applicable regulations and make any necessary modifications.

## IMPORTANT

### ▲ WARNING/CAUTION/NOTE

Please read this manual and follow its instructions carefully. To emphasise special information, the words **WARNING**, **CAUTION**, and **NOTE** have special meanings. Information following these signal words should be carefully reviewed.

### ▲ WARNING

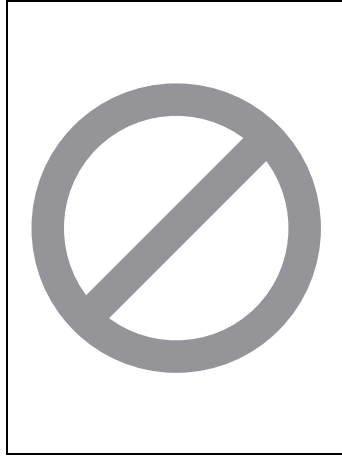
The personal safety of the driver, passengers, or bystanders may be involved. Disregarding this information could result in their injury or death.

### CAUTION

These instructions point out special service procedures or precautions that must be followed to avoid damaging the vehicle.

*NOTE:* This provides special information to make maintenance easier or important instructions clearer.

## MODIFICATION WARNING



75F135

The circle with a slash in this manual means "Don't do this" or "Don't let this happen".

### **▲ WARNING**

Do not modify your vehicle. Modification could adversely affect safety, handling, performance, or durability and may violate governmental regulations. In addition, damage or performance problems resulting from modification may not be covered under warranty.

### **▲ WARNING**

Your vehicle has monocoque body construction which provides for certain crumple zones in the body which absorbs larger part of impact energy in the event of a front collision and protects the occupants from impact. Do not use any fitments such as crash guards. These fitments will increase the risk to the occupants because of the shock directly getting transmitted to the occupants.

### **CAUTION**

Improper installation of mobile communication equipment such as cellular telephones or CB (Citizen's Band) radios may cause electronic interference with your vehicle's ignition system, resulting in vehicle performance problems. Consult your MARUTI SUZUKI Authorized workshop or qualified service technician for advice on installing such mobile communication equipment.

Copying, quoting or reproduction of any part of this manual is not permitted without explicit approval by **MARUTI SUZUKI INDIA LIMITED.**

### MAINTENANCE SERVICE RECORD

MODEL	CHASSIS NO.	ENGINE NO.	KEY NO.	DATE OF DELIVERY	MILEAGE (KM)	BATTERY	
						MAKE	SR.NO. BATCH CODE

**OWNER'S NAME & ADDRESS** \_\_\_\_\_  
 \_\_\_\_\_  
 \_\_\_\_\_ TEL.NO. \_\_\_\_\_

<b>ADDRESS/STAMP OF SELLING DEALER</b>  SHOWROOM	<b>SELLING DEALER CODE</b>
<b>WORKSHOP</b>	<b>IMPORTANT INFORMATION TO CUSTOMER</b>  Dear Customer, For any assistance with regard to our product, please contact General Manager/Works Manager at any of our Dealer or Authorised Service Station. For additional enquiry you may contact our Regional Office or Service Department. The Addresses and Phone nos. are given in Service Network Booklet provided along with vehicle.



## WARRANTY POLICY

Maruti Suzuki India Limited (hereinafter called "Maruti Suzuki"), warrants that each new Maruti Suzuki vehicle distributed in India by Maruti Suzuki and sold by an authorised Maruti Suzuki dealer will be free, under normal use and service, from any defects in material and workmanship at the time of manufacture SUBJECT TO THE FOLLOWING TERMS AND CONDITIONS:

### (1) Qualification:

To qualify for this warranty:

- (a) The Maruti Suzuki vehicle must be delivered by Maruti Suzuki authorised dealer and set-up, serviced by Maruti Suzuki authorised dealer/ service station.
- (b) The warranty registration card in respect of each vehicle must be completed by the dealer at the time of delivery of the vehicle and dealer should retain the same.

### (2) Term:

**The term of the warranty shall be twenty four (24) months or 40,000 kilometers (whichever occurs first) from the date of delivery to the first owner.**

### (3) Maruti Suzuki's Warranty Obligation:

If any defect(s) should be found in a Maruti Suzuki vehicle within the term stipulated above, Maruti Suzuki's only obligation is to repair or replace at its sole discretion any part shown to be defective, with a new part or the equivalent at no cost to the owner for parts or labour, when Maruti Suzuki acknowledges that such a defect is attributable to faulty material or workmanship at the time of manufacture. The owner is responsible for any repair or replacements which are not covered by this warranty.

### (4) Limitation:

This warranty shall not apply to:

- (a) normal maintenance service required other than the three free services, including without limitation, oil and fluid changes, headlight aiming, fastener retightening, wheel balancing, wheel alignment and tyre rotation, cleaning of injectors, adjustments of carburettor, ignition timing, clutch and valve clearance.
- (b) the replacement of normal wear parts including without limitation, bulbs, battery, tyres and tubes, spark plugs, belts, hoses, filters, wiper blades, brushes, contact points, fuses, clutch disc, brake shoes, brake pads, cable and all rubber parts (except oil seal and glass run).
- (c) any vehicle which has been used for competition or racing.
- (d) any repairs or replacement required as a result of accidents or collision.
- (e) any defects caused by misuse, negligence, abnormal use or insufficient care.
- (f) any vehicle which has been modified or altered, including without limitation, the installation of performance accessories.
- (g) any vehicle on which parts or accessories not approved by Maruti Suzuki have been used.
- (h) any vehicle which has not been operated in accordance with the operating instructions in the Maruti Suzuki Owner's Manual.
- (i) any vehicle which has not received, during the warranty term, the service inspections prescribed in the Maruti Suzuki Owner's Manual.

- (j) any vehicle which has been assembled, disassembled, adjusted or repaired by other than an Maruti Suzuki authorised dealer/service station.
- (k) any vehicle which has been used for purposes other than what it was designed for.
- (l) any damage or deterioration caused by industrial pollution and bird droppings.
- (m) insignificant defects which do not affect the function of the vehicle including without limitation, sound, vibration and fluid seep.
- (n) any natural wear and tear including without limitation, aging etc.
- (o) Installation and usage of Domestic LPG Gas/LPG cylinder.

**For Maruti Suzuki Air-Conditioned Vehicles**

- (p) V-belts, hoses and gas leaks.

**(5) Extent of Warranty:**

This warranty is the entire written warranty given by Maruti Suzuki for Maruti Suzuki vehicles and no dealer or its or his agent or employee is authorised to extend or enlarge this warranty and no dealer or its or his agent or employee is authorised to make any oral warranty on Maruti Suzuki's behalf. Maruti Suzuki reserves the right to add any improvements or change the design of any model at any time with no obligation to make the same changes on units previously sold.

**(6) Warranty Service:**

To obtain warranty service, the complete vehicle must be presented at the owner's expenses to any authorised Maruti Suzuki dealer.

**(7) Owner's Warranty Responsibilities:**

It is responsibility of each owner to:

- (a) make certain that the warranty registration/PDI card was completed at the time of delivery of the vehicle;
- (b) have performed, at his own expenses, by an Maruti Suzuki authorised dealer/service station all the service inspections specified in the Maruti Suzuki "Owner's Manual and Service Booklet" and maintain adequate proof that such service inspections have been performed.
- (c) make certain that the Maruti Suzuki authorised dealer/service station performing the service inspection has certified the work on the "Maintenance Service Record" page in the "Owner's Manual and Service Booklet" and
- (d) present the Maruti Suzuki "Owner's Manual and Service Booklet" to the authorised Maruti Suzuki dealer whenever requesting service inspections or warranty service.

If the "Owner's Manual and Service Booklet" should be lost or destroyed the owner should consult the authorised Maruti Suzuki dealer from whom the vehicle was purchased for instructions concerning replacement of the "Owner's Manual and Service Booklet".

**(8) Disclaimer of Consequential Damage:**

Maruti Suzuki assumes no responsibility for loss of vehicle, loss of time, inconvenience or any other indirect incidental or consequential damage resulting from the vehicle not being available to the owner because of any defect covered by this warranty.

**(9) Change of Owner**

Even if ownership of the vehicle changes, the remaining warranty period is effective for the new owner.

## **EMISSION WARRANTY POLICY**

Maruti Suzuki offers the Emission Warranty on all Maruti Suzuki vehicles (apart from the Regular warranty and will run parallel to the regular product warranty) only in four metropolitan cities (**New Delhi, Kolkata, Mumbai and Chennai**) with effect from **July 1st, 2001**.

### **Terms:**

The Emission Warranty will be applicable for **80,000 kms or 3 years** (Which ever comes earlier) from the date of delivery to the first owner. The remaining warranty terms will be valid in case of any change in ownership provided the production of all valid document.

### **Conditions:**

1. Under Emission Warranty, Warranty claims will be admitted for a prima facie examination, in case vehicle fails to meet to the Emission Standard as specified in *sub rule (2) of rule no. 115 of Central Motor Vehicles Rules (CMVR), 1989*.
2. The warranty claims will only be accepted after examination carried out by Maruti Suzuki or it's dealer which leads to firm conclusions that the
  - a) Original settings have not been tempered in any case.
  - b) Part (as given in Annexure-A) has a manufacturing defect.
  - c) Vehicle is unable to meet the Emission Standards (as given in 1.), inspite of the vehicle having been maintained and used in accordance with the instructions as specified in Owner's

Manual and Service Booklet and the used fuel and different oils (Engine oil, Transmission oil, Brake oil etc.) are also as per specification.

3. The method of examination for deciding the warranty of the parts will be at the sole discretion of Maruti Suzuki and it's dealer and results of the examination will be final and binding. If after examination, the warrantable condition is not established, Maruti Suzuki and it's dealer has the right to charge all, or part of the cost of such examination.
4. Under Emission Warranty, the parts (as given in Annexure-A) will be charged free of cost, but the consumables will be charged as per actual.
5. If the part covered under Emission Warranty or the associated parts, are not independently replaceable, on account of these being integral parts a complete assembly, Maruti Suzuki and it's dealer will have the sole discretion to replace entire assembly or by using some of the parts of the system through suitable repair or modifications.
6. Any consequential repairs or replacement of parts which may be found necessary to establish compliance of Emission Warranty, will not be considered under warranty, unless the same is under product warranty. The consumable will be charged as per actual under such repair or replacement.
7. Maruti Suzuki will not be responsible for the cost of transportation of the vehicle to the nearest Maruti Suzuki dealer workshop or any loss due to non-availability of the vehicle during the period of lodging of a warranty claim and examination and/or repair by Maruti Suzuki dealer.

8. Maruti Suzuki will not be responsible for any penalty that may be charged by statutory authorities on account of failure to comply with the EMISSION STANDARDS.
9. Emission Warranty will not be affected on the change of owner, provided all the documents are available.
10. All maintenance actions (as specified in the Owner's Manual and Service Booklet) need to be followed and recorded in the manual for emission warranty.
11. The customer needs to produce the PUC (Pollution Under Control) certificate valid for the period preceding the test during which the failure is discovered. The receipts (for the maintenance of the vehicle as per specification in Owner's Manual and Service Booklet from the date of original purchase of the vehicle) will also be required.

---

**Conditions under which the Emission Warranty is not APPLICABLE**

1. In the absence of valid PUC certificate.
2. Vehicle not serviced from Maruti Suzuki authorised workshop as per the schedule specified in the Owner's Manual.
3. Vehicle subjected to abnormal use (accident, motor race, rallies or for the purpose of establishing the records etc.)
4. Use of non MGP (Maruti Genuine Part).
5. Vehicle tampered in an unauthorised manner.
6. Tampering with odometer so that the actual kilometer reading can not be read.
7. Use of adulterated fuel and/or unspecified oils (Engine oil, Transmission oil and Brake oil etc.) .



---

## Annexure - A

### List of parts covered under Emission Warranty

1. Fuel Injection Assembly, Pressure Regulator, Throttle Body Assembly.
2. Electronic Control Module (ECM).
3. Intake Manifold.
4. EGR valve.
5. Distributor and internal parts.
6. Ignition Coil.
7. Canister Assembly.
8. Vapour Liquid Separator.
9. Fuel Tank and Filler Cap.
10. PCV (Positive Crankcase Ventilation) Valve.
11. Oil Filler Cap.
12. Catalytic Converter.
13. Exhaust Manifold.
14. All Fuel Injection System related SENSORS.

**MEMO**

-----

-----

-----

-----

-----

-----

-----

-----

-----

-----

-----

-----

-----

FUEL RECOMMENDATION

**FUEL RECOMMENDATION**

Fuel Recommendation ..... 1-1

1

## FUEL RECOMMENDATION

### Fuel Recommendation

You must use unleaded gasoline with an octane number (RON) of 91 or higher.

#### Gasoline/Ethanol blends

Blends of unleaded gasoline and ethanol (grain alcohol), also known as gasohol, are commercially available in some areas. Blends of this type may be used in your vehicle if they are no more than 10% ethanol. Make sure this gasoline-ethanol blend has octane ratings no lower than those recommended for gasoline.

#### Gasoline/Methanol blends

Blends of unleaded gasoline and methanol (wood alcohol) are also commercially available in some areas. DO NOT USE fuels containing more than 5% methanol under any circumstances. Fuel system damage or vehicle performance problems resulting from the use of such fuels are not the responsibility of MARUTI SUZUKI and may not be covered under the New Vehicle Warranty.

Fuels containing 5% or less methanol may be suitable for use in your vehicle if they contain cosolvents and corrosion inhibitors.

#### NOTE:

*If you are not satisfied with the driveability or fuel economy of your vehicle when you are using a gasoline/alcohol blend, you*

*should switch back to unleaded gasoline containing no alcohol.*

#### CAUTION

The fuel tank has an air space to allow for fuel expansion in hot weather. If you continue to add fuel after the filler nozzle has automatically shut off or an initial blowback occurs, the air chamber will become full. Exposure to heat when fully fuelled in this manner will result in leakage due to fuel expansion. To prevent such fuel leakage, stop filling after the filler nozzle has automatically shut off, or when using an alternative non-automatic system, initial blowback occurs.

#### CAUTION

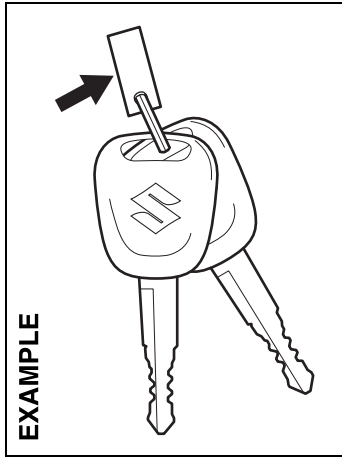
Be careful not to spill fuel containing alcohol while refueling. If fuel is spilled on the vehicle body, wipe it up immediately. Fuels containing alcohol can cause paint damage, which is not covered under the New Vehicle Limited Warranty.

## BEFORE DRIVING

Keys .....	2-1
Door Locks .....	2-2
Keyless Entry System Transmitter (if equipped) .....	2-4
Security System (if equipped) .....	2-14
Windows .....	2-14
Mirrors .....	2-16
Front Seats .....	2-17
Rear Seats .....	2-19
Seat Belts and Child Restraint Systems .....	2-21
Supplemental Restraint System (air bags (if equipped)) .....	2-30
Instrument Cluster .....	2-35
Warning and Indicator Lights .....	2-36
Speedometer .....	2-41
Tachometer (if equipped) .....	2-41
Fuel Gauge .....	2-41
Information Display (if equipped) .....	2-41
Lighting Control Lever .....	2-44
Rear Fog Light Switch (if equipped) .....	2-45
Front Fog Light Switch (if equipped) .....	2-45
Headlight Leveling Switch .....	2-46
Turn Signal Control Lever .....	2-46
Hazard Warning Switch .....	2-47
Windshield Wiper and Washer Lever .....	2-48
Tilt Steering Lock Lever (if equipped) .....	2-50
Horn .....	2-50
Heated Rear Window Switch (if equipped) .....	2-51

## BEFORE DRIVING

### Keys



Your vehicle comes with a pair of identical keys. Keep the spare key in a safe place. One key can open all of the locks on the vehicle.

The key identification number is stamped on a metal tag provided with the keys or on the keys. Keep the tag in a safe place. If you lose your keys, you will need this number to have new keys made. Write the number below for your future reference.

KEY NUMBER: \_\_\_\_\_

### Immobilizer System (if equipped)

This system is designed to help prevent vehicle theft by electronically disabling the engine starting system.

The engine can be started only with your vehicle's original immobilizer ignition key which has an electronic identification code programmed into it. The key communicates the identification code to the vehicle when the key is turned to the "ON" position. If you need to make spare keys, contact your MARUTI SUZUKI Authorized workshop. The vehicle must be programmed with the correct identification code for the spare keys. A key made by an ordinary locksmith will not work.



If the immobilizer system light (1) blinks when the ignition switch is in the "ON" position, there may be something wrong with your key or with the immobilizer system. Ask your MARUTI SUZUKI Authorized workshop to inspect the system.

### NOTE:

- If you lose your immobilizer ignition key, contact your MARUTI SUZUKI Authorized workshop as soon as possible to have the lost one deactivated, then have the new key made by them.
- If you own other vehicles with immobilizer keys, keep those keys away from the ignition switch when using your MARUTI SUZUKI, or the engine may not be started because they may interfere with your MARUTI SUZUKI's immobilizer system.
- If you attach any metal objects to the immobilizer key, it may not start the engine.

### CAUTION

The immobilizer key is a sensitive electronic instrument. To avoid damaging the immobilizer key:

- Do not expose it to impacts, moisture or high temperature such as on the dashboard under direct sunlight.
- Keep the immobilizer key away from magnetic objects.

### Ignition Key Reminder (if equipped)

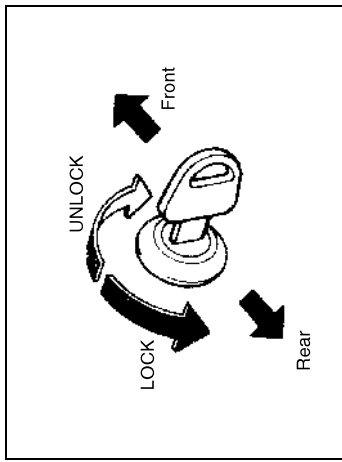
A buzzer sounds intermittently to remind you to remove the ignition key if it is in the ignition switch when the driver's door is opened.

## BEFORE DRIVING

### Door Locks

#### Side Door Locks

##### Driver's door



To lock a driver's door from outside the vehicle:

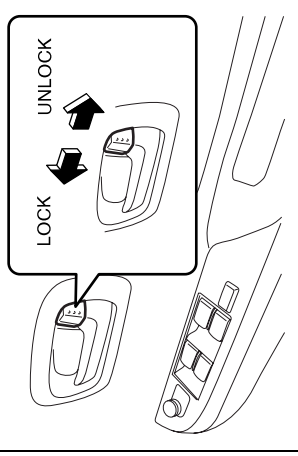
- Insert the key and turn the top of the key toward the rear of the vehicle, or
- Turn the lock knob forward, then pull and hold the door handle as you close the door.

To unlock a driver's door from outside the vehicle, insert the key and turn the top of the key toward the front of the vehicle.

To lock a front passenger's door from outside the vehicle, turn the lock knob forward, then pull and hold the door handle as you close the door.

To lock a rear door from outside the vehicle, turn the lock knob forward and close the door.

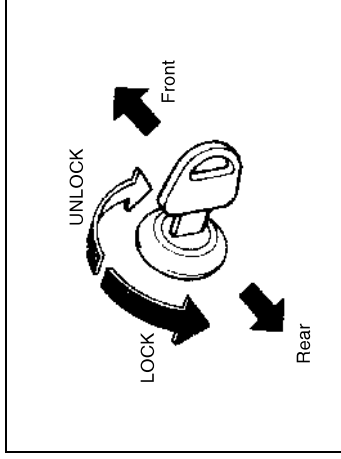
#### EXAMPLE



To lock a door from inside the vehicle, turn the lock knob forward. Turn the lock knob backward to unlock the door.

### Central Door Locking System (if equipped)

#### Driver's door

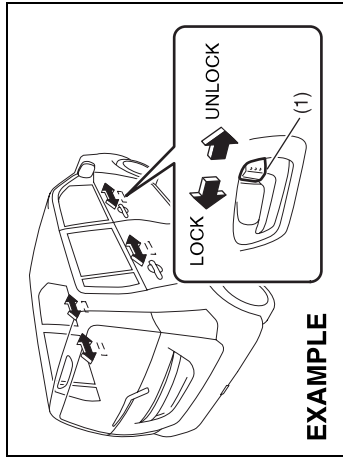


You can lock and unlock all doors simultaneously by using the key in the driver's door lock.

To lock all doors simultaneously, insert the key in the driver's door lock and turn the top of the key toward the rear of the vehicle.

To unlock all doors simultaneously, insert the key in a driver's door lock and turn the top of the key toward the front of the vehicle.

## BEFORE DRIVING



You can also lock or unlock all doors by turning the lock knob (1) forward or backward, respectively.

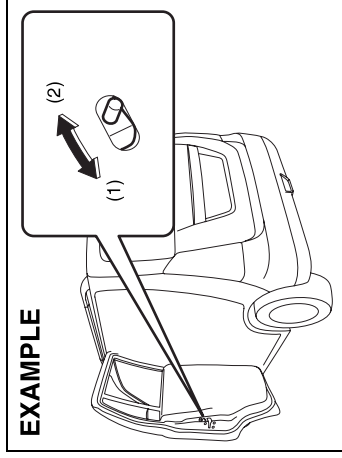
### NOTE:

*If your vehicle is equipped with keyless entry system, you can also lock or unlock all doors by operating the transmitter. Refer to "Keyless Entry System Transmitter".*

### NOTE:

*If your vehicle is equipped with security system, all doors are automatically unlocked when you turn the ignition switch to the "LOCK" position and pull out the key.*

## Child-Proof Locks (rear door)



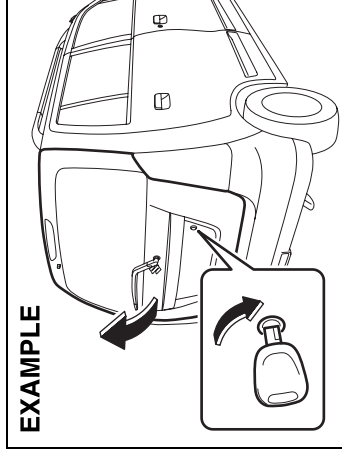
- (1) LOCK
- (2) UNLOCK

Each of the rear doors is equipped with a child-proof lock which can be used to help prevent unwanted opening of the door from inside the vehicle. When the lock lever is in the "LOCK" position (1), the rear door can only be opened from outside. When the lock lever is in the "UNLOCK" position (2), the rear door can be opened from inside or outside.

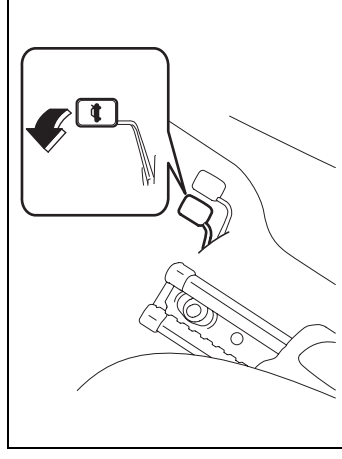
### **▲ WARNING**

**Be sure to place the child-proof lock in the "LOCK" position whenever children are seated in the rear.**

## Tailgate



To open the tailgate, insert the key and turn it clockwise to unlatch and lift the tailgate.





## BEFORE DRIVING

You can also unlatch the tailgate by pulling the release lever located on the outboard side of the driver's seat.

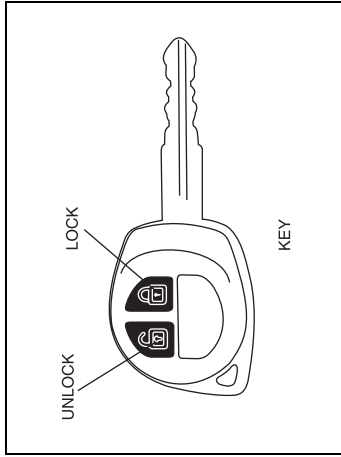
### **▲ WARNING**

**Always make sure that the tailgate is closed and latched securely. Completely closing the tailgate helps prevent occupants from being thrown from the vehicle in the event of an accident. Completely closing it also helps keep exhaust gases from entering the car.**

### **CAUTION**

**Do not use the key to lift up the lid, or the key may break off in the lock.**

## Keyless Entry Cum Alarm System (if equipped)



The Keyless Entry cum Alarm System has two basic functions.

1. Keyless Entry
2. Alarm System

### **Keyless Entry**

You can lock / unlock all doors simultaneously by operating the transmitter near the vehicle.

- To lock all doors, press "LOCK" button once. All indicator lights will flash once when doors are locked.
- To unlock all doors, press the "UNLOCK" button once. All indicator lights will flash twice when doors are unlocked.

### **NOTE:**

- The operating distance of the keyless entry system transmitter is about 20 meters, but this may vary depending on the condition of transmitter's battery and surroundings, especially near other transmitting devices such as radio towers.
- The door locks cannot be operated with the transmitter if the ignition key is inserted in the key cylinder or if any door is open.
- When any door is open, the vehicle can not be locked through transmitters. Be sure to close the doors and windows before locking.
- If you lose any of the transmitters/keys, contact your MARUTI SUZUKI Authorized workshop as soon as possible for erasing the transmitter ID from vehicle controller memory. In case you need a new transmitter, place an order with your dealer.

## BEFORE DRIVING

### CAUTION

The transmitter is a sensitive electronic instrument. To avoid damaging the transmitter:

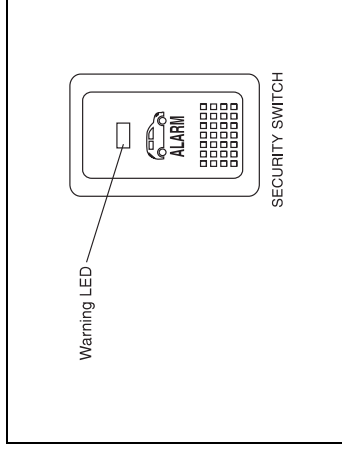
- Do not expose it to impacts, moisture, dust or high temperature such as by leaving it on the dashboard under direct sunlight.
- Do not tamper with internal parts.
- Keep the transmitter away from magnetic objects such as a television.

## Alarm System

The Alarm System has two basic modes of operation.

### VALET MODE

In Valet mode all the Security Alarm features of the system like arm/disarm, trigger are deactivated. In this mode, system will work as a Keyless Entry only. When the vehicle is given for servicing or valet parking, turn the system into Valet mode.

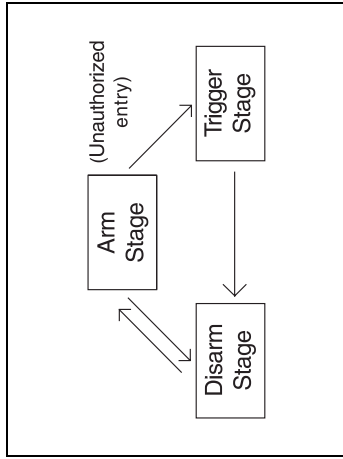


### ALARM MODE

The Alarm mode is designed to protect your vehicle from unauthorised entry. It operates in three stages:

- First : Arm Stage
- Second : Trigger Stage
- Third : Disarm Stage.

## BEFORE DRIVING



### Arm Stage

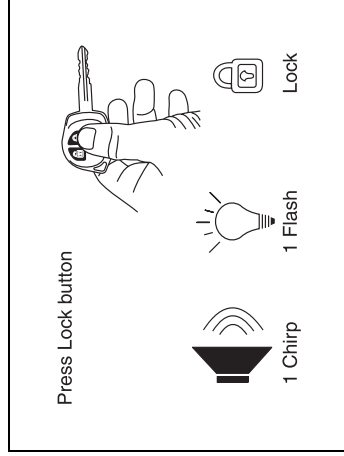
In Arm Stage, your vehicle is monitored for any unauthorized entry. In order to arm: press the key LOCK button once:

As response to locking/arming:

- 1) Doors will get locked and vehicle will get armed. This is indicated by one siren chirp & one light flash of all indicator lights.
- 2) Visible theft warning LED on security switch will flash slowly.

### NOTE:

1. Three siren chirps and one light flash of all indicator lights will indicate that hood is open. However locking and arming of all doors takes place.



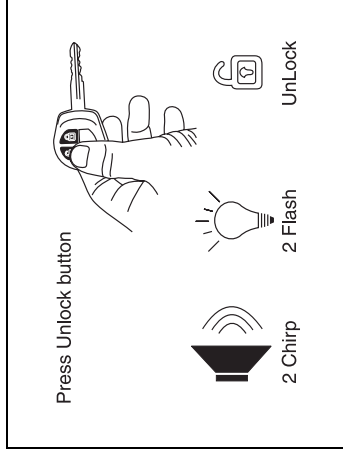
2. Be sure to close the doors and windows before locking/arming the vehicle.

3. System will not Lock/Arm in following conditions:

- (a) If any of doors is open (expect Hood).
- (b) If Key is in key cylinder.

### Trigger Stage

In the event of any unauthorized entry (without unlocking/disarming) in the vehicle, the alarm triggers and all indicator lights flash. The triggering of the alarm is in two stages. First acting as a warning to the intruder and then full blast drawing the surrounding attention. In order to bring the system to disarm stage, press UNLOCK button on the key or enter the Emergency Pin. (Described in Emergency disarm section)



### Disarm Stage

System should be brought in Disarm Mode while you are entering the vehicle. In order to disarm: Press the key UNLOCK button once.

As response to unlocking/disarming:

- 1) Doors will unlock and vehicle will disarm. This is indicated by two siren chirps and two light flashes of all indicator lights.
- 2) Visible theft warning LED on security switch will flash faster than in arm stage indicating Auto rearm (described in auto rearm section)

## BEFORE DRIVING

### GENERAL FEATURE

#### Illuminated Entry

When vehicle is unlocked, the room lamp will turn ON to facilitate illuminated entry into the vehicle. If no door is opened in about 15 seconds of above operation, room lamp will fade out.

If any door is opened after 15 seconds, the room lamp turns ON again and after 15 seconds of closing all doors room lamp will fade out.

If within 15 seconds after closing all the doors the driver inserts the key into the key cylinder, then the room lamp will fade out.

#### Illuminated Exit

When key is removed from the key cylinder, the room lamp will turn ON to facilitate illuminated exit. If no door is opened in about 15 seconds of key removal from key cylinder, the room lamp will fade out.

When door is opened to exit the vehicle, the room lamp will turn ON again (if it has turned OFF after 15 seconds of key removal from key cylinder) and will turn OFF after 15 seconds of closing all the doors.

If within 15 seconds of all doors closure, vehicle is locked by pressing the LOCK button, the room lamp will fade out.

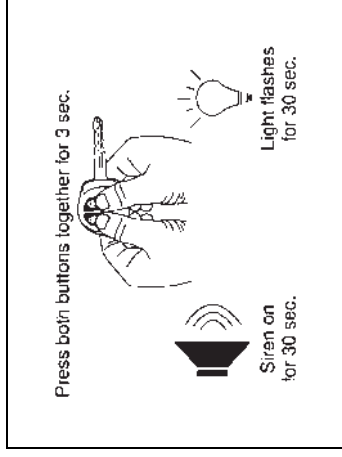
*NOTE: Room lamp will fade out gradually approximately in 2 seconds.*

#### Mute Lock/Unlock

To Arm/Disarm the vehicle without siren chirps use this function.

- a) Press and release the Key LOCK & UNLOCK buttons simultaneously.
- b) Press and release Key LOCK or UNLOCK button for desired function.

*Example: To Lock / arm the system without the Siren chirp sound, press and release the Key LOCK & UNLOCK button simultaneously, then press the Key LOCK button once.*



#### Auto Rearm

In case of accidental Unlock/Disarm of vehicle through transmitter, vehicles will automatically Lock & Arm without any indication, if no door is opened till about 30 seconds.

*NOTE: If the vehicle is in Valet Mode, system will only Lock the vehicle.*

#### Radio Frequency Lock Out

Transmitter function Lock/Unlock/Panic will not work when Key is inside key cylinder.

#### Panic Alarm (Car Locator)

Panic Alarm feature can be used to bring the surrounding attention to the vehicle or to locate the vehicle in congested parking area.

- 1) Press and hold the Key LOCK & UNLOCK button simultaneously for 3 seconds or more.
- 2) Panic alarm will be activated and siren will sound and indicator lights will flash for 30 seconds.
- 3) Press and release the Key LOCK & UNLOCK button simultaneously to cancel the Panic alarm.

## BEFORE DRIVING

### Flashing LED Status

The flashing LED always reflects the status of the system as following.

SYSTEM CONDITION	LED STATUS
Disarmed condition	LED does not glow
Armed condition	Slow Flashes of LED
Auto Arming Condition	Fast Flashes

### Intrusion Alert

The system gives a report if it has been intruded in your absence. Four chirps are given when UNLOCK button is pressed after an intrusion.

Diagnostic report	Visual-LED	Sound
Built in shock sensor Triggered	2 Flashes	Four Chirps
Door/Trunk/Hood Intrusion	3 Flashes	Four Chirps
Ignition	5 Flashes	Four Chirps

### PROGRAMMABLE FEATURES

Systems have some features which can be programmed by user according to their choice.

#### Drive Lock Mode

Drive lock mode can be programmed by SPEED LOCK or can be turned OFF. In case drive lock mode is programmed to SPEED LOCK, all the vehicle doors will lock when vehicle attains the speed of 20 Km/hr.

#### NOTE:

*In case of SPEED LOCK mode, if any door is opened while driving, it will get cancelled. Once vehicle speed crosses 20 Km/hr, the LED on security switch will blink for 5 seconds as indication of door open.*

#### Drive Unlock Mode

Drive unlock can be programmed by Key or can be turned OFF. When programmed to Key, turning Ignition ON-OFF, then removing the key from the key cylinder will unlock all the doors. In case if drive unlock is programmed to OFF then no door will unlock by removing key from key cylinder.

### Siren Chirp ON/OFF feature

Siren Chirps can be programmed to ON or OFF. When siren chirp feature is disabled, siren will not chirp after Arm/Disarm by LOCK/UNLOCK button.

### Shock Sensor feature

This is a very important feature of security system. It enables protection of your vehicle against any shock. If anybody tries to intrude into the vehicle, the alarm triggers. The triggering of the alarm is in two stages, first acting as a warning to the intruder and then at full blast. The sensitivity of shock sensor can be adjusted as desired by the user.

## BEFORE DRIVING

### PROCEDURE TO PROGRAM FEATURE

No.	Feature	1 Chirp	2 Chirps	Default
1.	Drive Lock Mode	Speed	OFF	Speed
2.	Drive Unlock Mode	Key	OFF	Key
3.	Siren chirp ON/OFF	ON	OFF	ON
4.	Shock Sensor ON/OFF	ON	OFF	ON

#### Programming Drive Lock Mode

- Open the Driver Door of your vehicle.
- With your vehicle key in the Key cylinder, turn Ignition ON and then switch it OFF.
- Press and release the Security switch One time.
- Press and hold the Security switch.
- One chirp sound confirms entry into Drive Lock programming mode.
- Press the Key LOCK button (while holding the Security switch), a single chirp sound confirms mode changed to speed lock.
- Two-Siren chirp sound confirms Drive lock mode OFF.
- Release the Security switch.
- Turn the Ignition ON.

#### Programming Drive Unlock Mode

- Open the Driver Door of your vehicle.
- With your vehicle key in the Key cylinder, turn Ignition ON and then switch it OFF.
- Press and release the Security switch two times.
- Press and hold the Security switch.
- Two-chirp sound confirms entry into Drive unlock programming mode.
- Press the Key Lock button (while holding the Security switch), a single chirp sound confirms the mode changed to key Unlock.
- Two-siren chirp sound confirms the mode changed to Drive Unlock mode OFF.
- Release the Security switch.
- Turn the Ignition ON.

#### Programming Siren Chirp ON/OFF

- Open the Driver Door of your vehicle.
- With your vehicle key in the Key cylinder, turn Ignition ON and then switch it OFF.
- Press and release the Security switch Three times.
- Press and hold the Security switch.
- Three-chirp sound confirms entry into Siren Chirp ON/OFF programming mode.
- Press the Key Lock button (while holding the Security switch), a single chirp sound confirms the mode changed to Siren Chirp ON.
- Two-Siren chirp sound confirms the mode changed to Siren Chirp OFF.
- Release the Security switch.
- Turn the Ignition ON.

## BEFORE DRIVING

### Programming Shock Sensor ON/OFF

- a) Open the Driver Door of your vehicle.
- b) With your vehicle key in the Key cylinder, turn Ignition ON and then switch it OFF.
- c) Press and release the Security switch Four times.
- d) Press and hold the Security switch.
- e) Four-chirp sound confirms entry into Shock Sensor ON/OFF programming mode.
- f) Press the Key Lock button (while holding the Security switch), a single chirp sound confirms the mode changed to shock sensor ON.
- g) Two-Siren chirp sound confirms the mode changed to shock sensor OFF.
- h) Release the Security switch.
- i) Turn the Ignition ON.

### Shock Sensor Sensitivity Adjustment via Key

#### Full Blast Adjustment

Full Blast can be adjusted in 16 levels as mentioned below.

- a) Press UNLOCK button on Key to Unlock/Disarm the System.
- b) Press LOCK button on Key to Lock/Arm the System.
- c) Within 5 seconds press LOCK & UNLOCK button simultaneously for at least 2 seconds Siren will give long chirp to confirm entry into sensitivity Adjustment mode.
- i) Press Key LOCK button to adjust the sensitivity one step lower. Siren will give one chirp every time LOCK button is pressed till at level 1 where it will give a long chirp. When adjust to level 1, Full Blast will turn OFF
- ii) Press Key UNLOCK button to adjust the sensitivity one step higher. Siren will give two chirps every time UNLOCK button is pressed till at level 16 where it will give a long chirp.

### Pre-warn Adjustment

Pre-warn can be adjusted in 16 levels as mentioned below:

- a) Press LOCK button on Key to Lock/Arm the System
- b) Press UNLOCK button on Key to UNLOCK/Disarm the System
- c) Within 5 seconds press LOCK & UNLOCK button simultaneously for at least 2 seconds Siren will give Long chirp to confirm entry into Sensitivity Adjustment Mode.
- i) Press LOCK button to adjust the sensitivity one step lower. Siren will give one chirp every time LOCK button is pressed till at level 1 where it will give a long chirp. When adjusts to level 1, prewarn will turn OFF.
- ii) Press UNLOCK button to adjust the sensitivity one step higher. Siren will give two chirps every time UNLOCK button is pressed till at level 16 where it will give a long chirp.

## BEFORE DRIVING

### Mode Programming (Valet/Alarm)

The valet mode can be programmed as follows:

- i) Close the driver door.
- ii) Turn Ignition ON-OFF quickly.
- iii) Press and hold Security switch for 3 seconds minimum.
- iv) Change to valet mode is confirmed by LED ON for 1 minute.

The alarm mode can be programmed as follows:

Repeat step (i)-(iii) to program the system to alarm mode.

Change to Alarm mode will be confirmed by one long siren chirp and LED OFF.

### Program Customer Pincode (Personalised Pincode)

The Personalised 4-digit number can be changed from the factory default to ensure Personalised Security.

#### Pin code entry

- a) Disarm the system.
- b) Open the Driver Door.
- c) Turn Ignition ON then OFF.
- d) Within 5 seconds press and release security switch 5 times. A short chirp followed by long chirps confirms entry into Pin Code programming mode.
- e) Press LOCK button on Key, after a single chirp enter the First digit (within 1-9) by pressing security switch (for e.g. to enter 2 press and release security switch two times).
- f) Press LOCK button on Key, after two chirps enter the Second digit (within 1-9) by pressing security switch.
- g) Press LOCK button on Key, after 3 chirps enter the Third digit (within 1-9) by pressing security switch.
- h) Press LOCK button on Key, after 4 chirps enter the Fourth digit (within 1-9) by pressing security switch.

### Emergency Disarm by personalised pin code

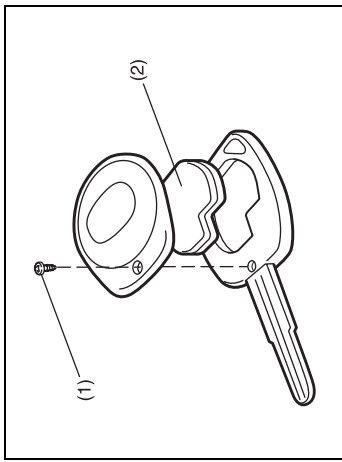
The Personalised 4-Digit Pin Code acts as a secret Key, to Emergency Disarm the vehicle.

- a) Turn the Ignition ON, OFF and then ON.
  - b) Enter the First digit (for e. g. to enter 2 press and release security switch twice)
  - c) Turn the Ignition OFF then ON.
  - d) Enter the Second digit.
  - e) Turn the Ignition OFF and then ON.
  - f) Enter the third Digit.
  - g) Turn the Ignition OFF and then ON
  - h) Enter the Last Digit.
  - i) Turn the Ignition OFF and then ON.
- The vehicle will get disarmed.

*Note: The default pin will be provided by the dealer at the time of delivery. It is recommended to personalize the pin for increased security. The pin must be remembered as it is not possible to retrieve a lost pin.*



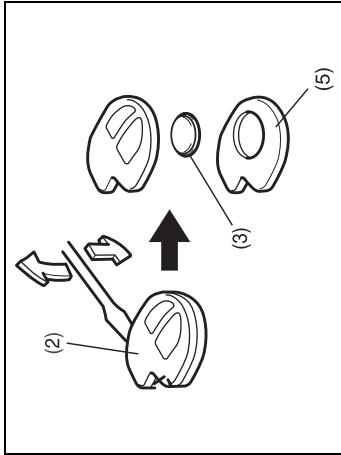
**Transmitter battery Replacement of the Battery**



If the transmitter battery gets discharged, replace the battery with a new one.

To replace the battery of the transmitter:

- 1) Remove the screw (1), and open the transmitter cover.
- 2) Remove the transmitter (2).
- 3) Put the edge of a flat blade screw driver in the slot of the transmitter (2) and pry it open.
- 4) Replace the battery (3) (Lithium disc type CR1620) so that its +ve terminal faces the bottom cover of the transmitter (5).

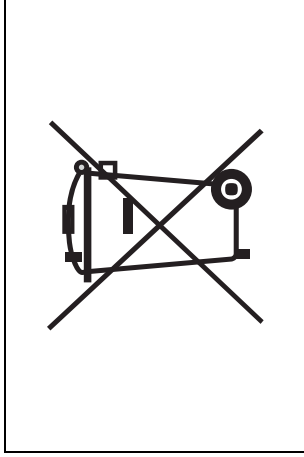


- 5) Close the transmitter and install it into the transmitter holder.
- 6) Close the transmitter cover, install and tighten the screw (1).
- 7) Make sure the door locks can be operated with the transmitter.

*Note: Normal battery life is approximately 2 years, but varies depending on usage. It is advisable to get battery replaced from MAR-UTI SUZUKI Authorized workshop.*

**CAUTION**

**Do not remove the screw from the key unnecessarily as it damages the screw head. Kindly replace the screw once the transmitter battery is changed.**



**CAUTION**

**Dispose off the used battery properly according to applicable rules or regulations. Do not dispose off lithium batteries with ordinary household trash.**

**⚠ WARNING**

**Swallowing a lithium battery may cause serious internal injury. Do not allow anyone to swallow a lithium battery. Keep lithium batteries away from children and pets. If swallowed, contact a physician immediately.**

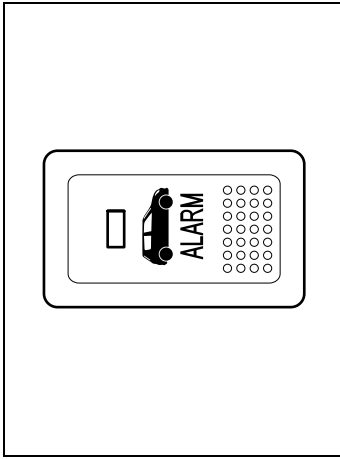
## BEFORE DRIVING

## TROUBLESHOOTING

SYMPTOMS	PROBABLE CAUSES	REMEDIES
Transmitter function (Unlock/Lock/Panic)not working	<ol style="list-style-type: none"> <li>1. Battery of the transmitter is weak.</li> <li>2. Transmitter is exposed to water or it is wet.</li> <li>3. D/L or Dome fuse for controller is blown in the vehicle.</li> <li>4. In case if any door is open or door sensor is shorted with the body ground, remote will not activate the central locking/ alarm system.</li> </ol>	<ol style="list-style-type: none"> <li>1. Check the battery.</li> <li>2. Dry the transmitter and check it.</li> <li>3. Check and replace the D/L or Dome fuse.</li> <li>4. Check if all doors are properly closed and door switch functioning is O.K.</li> </ol>
Operation distance of the transmitter is less than 20m but still transmitter (Unlock/Lock/Panic) is not working	<ol style="list-style-type: none"> <li>1. Battery of the transmitter is weak.</li> <li>2. Strong RF interference. (e.g. Radio Towers, High Voltage Transmission line near by)</li> </ol>	<ol style="list-style-type: none"> <li>1. Check the battery.</li> <li>2. Drive the vehicle away from the particular spot and re-test the control distance.</li> </ol>
It is difficult to activate or deactivate the system in certain area using the transmitter.	<ol style="list-style-type: none"> <li>1. The strong interference caused by excessive RF activity in a particular area</li> </ol>	<ol style="list-style-type: none"> <li>1. The interference is temporary and only while the vehicle is in that area.</li> </ol>
Alarm is not triggered even if any door(s)/hood/trunk opened in arm stage.	<ol style="list-style-type: none"> <li>1. The contact point of the hood or door (s) or trunk switch is faulty.</li> <li>2. The connection of the hood or door(s) or trunk switch is loose.</li> </ol>	<ol style="list-style-type: none"> <li>1. Replace the defective Switch.</li> <li>2. Make proper connection.</li> </ol>
Siren does not sound when alarm is triggered.	<ol style="list-style-type: none"> <li>1. The connection of the siren wire is loose.</li> <li>2. Siren is faulty.</li> </ol>	<ol style="list-style-type: none"> <li>1. Make proper connection.</li> <li>2. Change the siren.</li> </ol>

**BEFORE DRIVING**

**Security System (if equipped)**

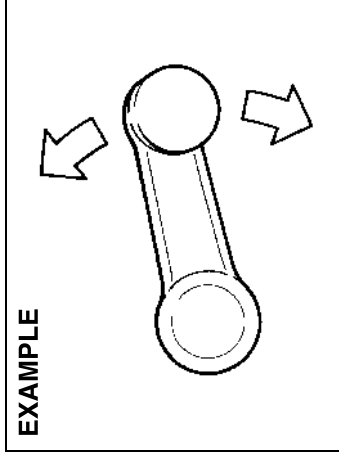


68KH093

If your vehicle is equipped with the security system, contact your dealer for further information.

**Windows**

**Manual Window Control (if equipped)**



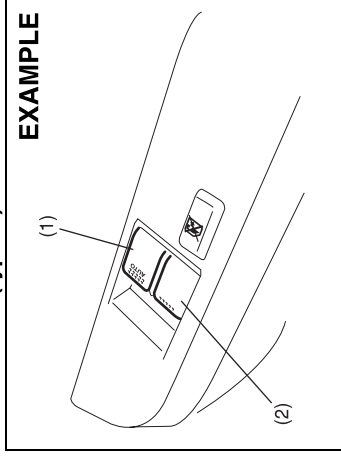
60G010

Raise or lower the door windows by turning the handle located on the door panel.

**Electric Window Controls (if equipped)**

The electric windows can only be operated when the ignition switch is in the "ON" position.

**Driver's door (type A)**

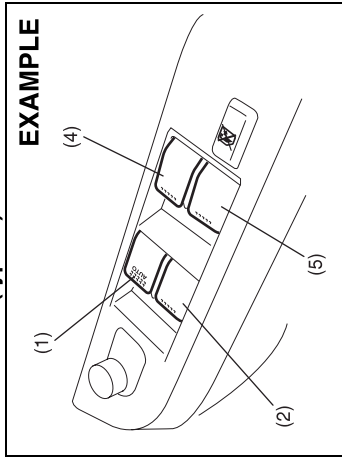


**EXAMPLE**

67LH014

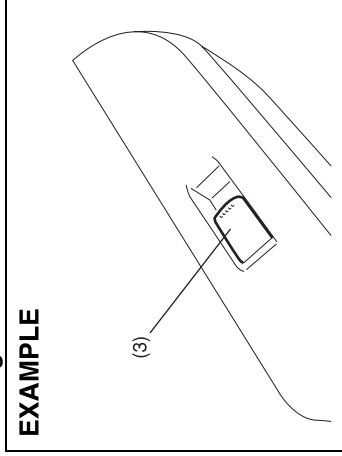
## BEFORE DRIVING

### Driver's door (type B)

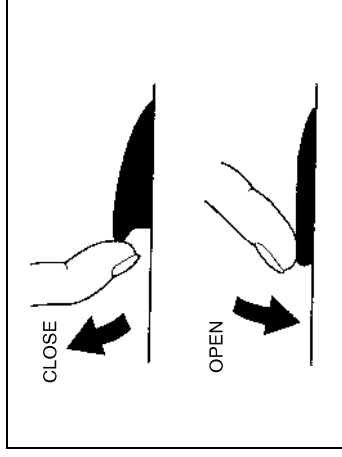


The driver's door has a switch (1) to operate the driver's window, and a switch (2) to operate the front passenger's window or there are switches (4), (5), to operate the rear left and right passenger windows, respectively.

### Passenger's door



The passenger's door has a switch (3) to operate that passenger's window.

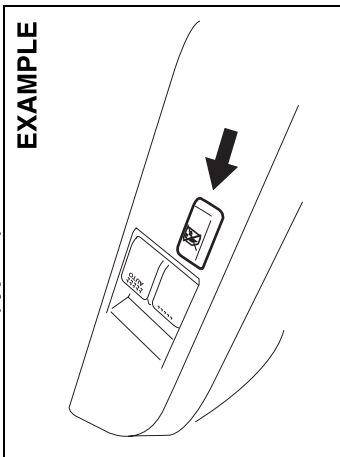


To open a window, push the top part of the switch and to close the window, lift up the top part of the switch.

The driver's window has an "auto-down" feature for added convenience (at toll booths or drive-through restaurants, for example). This means you can open the window without holding the window switch in the "Down" position. Press the driver's window switch completely down and release it. To stop the window before it reaches the bottom, pull the switch up briefly.

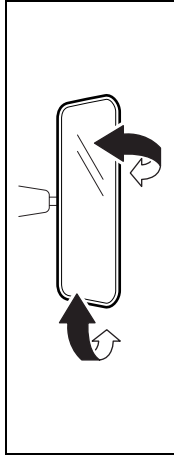
## BEFORE DRIVING

Lock switch (type A)



## Mirrors

### Inside Rearview Mirror



You can adjust the inside rearview mirror by hand so as to see the rear of your vehicle in the mirror.

The driver's door also has a lock switch for the passenger's windows. When you push in the lock switch, the passenger's windows cannot be raised or lowered by operating any of the switches (2), (3), (4) or (5). To restore normal operation, release the lock switch by pushing again.

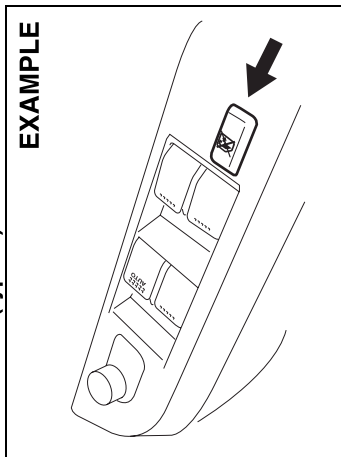
### **▲ WARNING**

- You should always lock the passenger's window operation when there are children in the vehicle. Children can be seriously injured if they get part of their body caught by the window during operation.
- To avoid injuring an occupant by window entrapment, be sure no part of the occupant's body such as hands or head is in the path of the electric windows when closing them.
- Always remove the ignition key when leaving the vehicle even if only for a short time. Also do not leave children alone in a parked vehicle. Unattended children could use the electric window switches and get trapped by the window.

### NOTE:

If you drive with one of the rear windows open, you may hear a loud sound caused by air vibration. To reduce the sound, open the driver's or front passenger's window, or narrow the rear window opening.

Lock switch (type B)



## BEFORE DRIVING

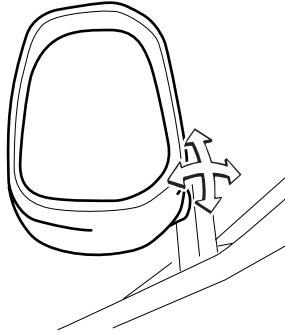
### Outside Rearview Mirrors

Adjust the outside rearview mirrors so you can just see the side of your vehicle in the mirrors.

#### **▲ WARNING**

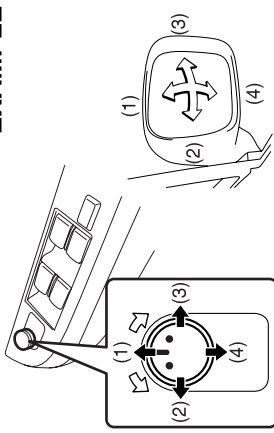
Be careful when judging the size or distance of a vehicle or other object seen in the side convex mirror. Be aware that objects look smaller and appear farther away than when seen in a flat mirror.

#### EXAMPLE



### Electric Mirrors (if equipped)

#### EXAMPLE



The switch to control the electric mirrors is located on the driver's door panel. You can adjust the mirrors when the ignition switch is in the "ACC" or "ON" position. To adjust the mirrors:

- 1) Move the selector switch to the left or right to select the mirror you wish to adjust.
- 2) Press the outer part of the switch that corresponds to the direction in which you wish to move the mirror.
- 3) Return the selector switch to the center position to help prevent unintended adjustment.

### Front Seats

#### Seat Adjustment

#### **▲ WARNING**

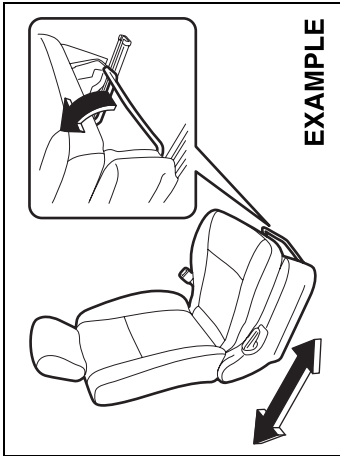
Never attempt to adjust the driver's seat or seatback while driving. The seat or seatback could move unexpectedly, causing loss of control. Make sure that the driver's seat and seatback are properly adjusted before you start driving.

#### **▲ WARNING**

To avoid excessive seat belt slack, which reduces the effectiveness of the seat belts as a safety device, make sure that the seats are adjusted before the seat belts are fastened.

## BEFORE DRIVING

### Adjusting Seat Position

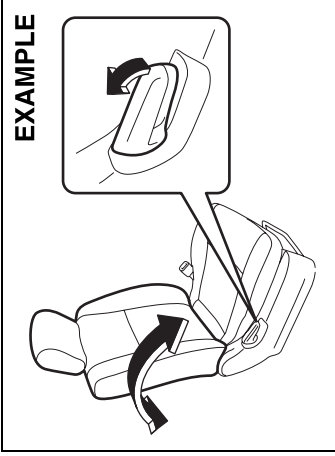
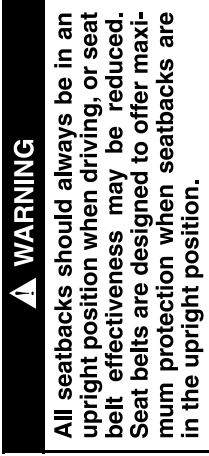


67LH020

The adjustment lever for each front seat is located under the front of the seat. To adjust the seat position, pull up on the adjustment lever and slide the seat forward or rearward.

After adjustment, try to move the seat forward and rearward to ensure that it is securely latched.

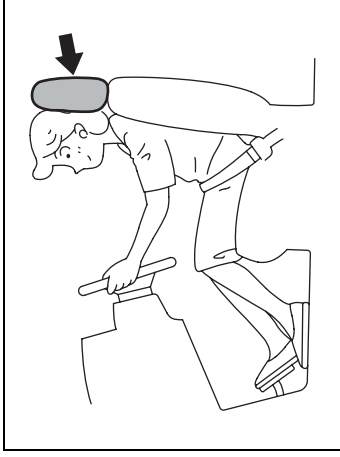
### Adjusting Seatbacks



67LH021

To adjust the seatback angle of front seats, pull up the lever on the outboard side of the seat, move the seatback to the desired position, and release the lever to lock the seatback in place.

### Adjustable Head Restraints (if equipped)



63J246

Head restraints are designed to help reduce the risk of neck injuries in the case of an accident. Adjust the head restraint to the position which places the center of the head restraint closest to the top of your ears. If this is not possible for very tall passengers, adjust the head restraint as high as possible.

### **WARNING**

- Never drive the vehicle with the head restraints removed.
- Do not attempt to adjust the head restraint while driving.

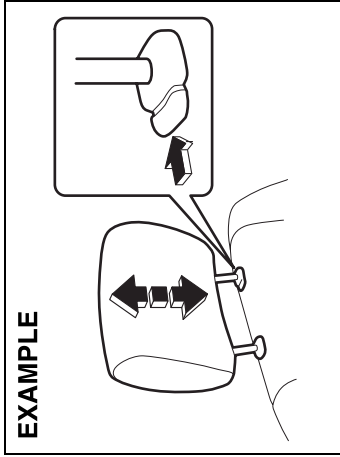
## BEFORE DRIVING

### NOTE:

*It may be necessary to recline the seat-back to provide enough overhead clearance to remove the head restraint.*

### Front

#### EXAMPLE



To raise the front head restraint, pull upward on the restraint until it clicks. To lower the restraint, push down on the restraint while holding in the lock lever. If a head restraint must be removed (for cleaning, replacement, etc.), push in the lock lever and pull the head restraint all the way out.

### Rear Seats

#### Adjustable Head Restraints (if equipped)

Head restraints are designed to help reduce the risk of neck injuries in the case of an accident.

#### **▲ WARNING**

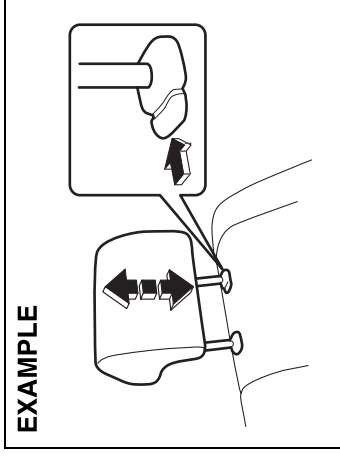
- Never drive the vehicle with the head restraints removed.
- Do not attempt to adjust the head restraint while driving.

### NOTE:

*It may be necessary to fold forward the seatback to provide enough overhead clearance to remove the head restraint.*

Adjust the head restraint to the position which places the center of the head restraint closest to the top of your ears. If this is not possible for very tall passengers adjust the head restraint as high as possible.

#### EXAMPLE



To raise the rear head restraint, pull upward on the restraint until it clicks. To lower the restraint, push down on the restraint while holding in the lock lever. If a head restraint must be removed (for cleaning, replacement, etc.), push in the lock lever and pull the head restraint all the way out.

When installing a child restraint system, raise the head restraint to the most upper position.

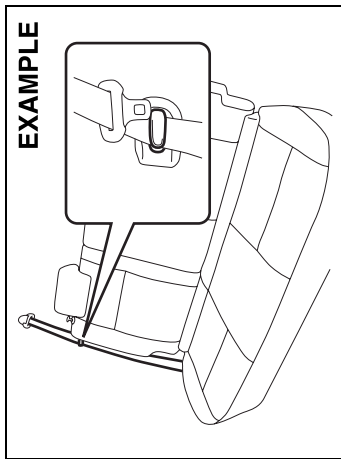


## BEFORE DRIVING

### Folding Rear Seat

The rear seat of your vehicle can be folded forward to provide additional cargo space.

To fold the rear seat forward:

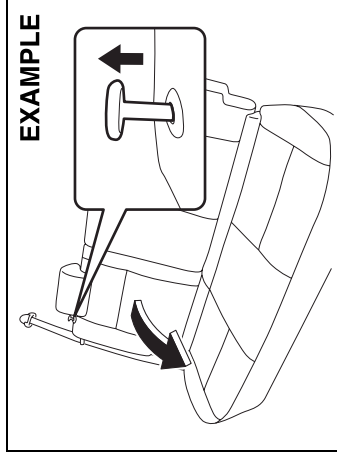


- 1) Hook the webbing of the outboard lap-shoulder belts in the belt hangers.

### CAUTION

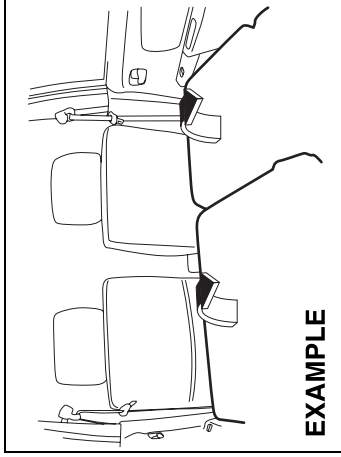
- When you move a seatback, make sure the belt webbing is hooked in the seat belt hangers so the seat belts are not caught by the seatback, seat hinge, or seat latch. This helps prevent damage to the belt system.
- Make sure the belt webbing is not twisted.

- 2) Lower the adjustable head restraint (if equipped) fully.



- 3) Pull up the knob on the top of each split seat, and fold the seatbacks forward.

To return the seat to the normal position, follow the procedure below.



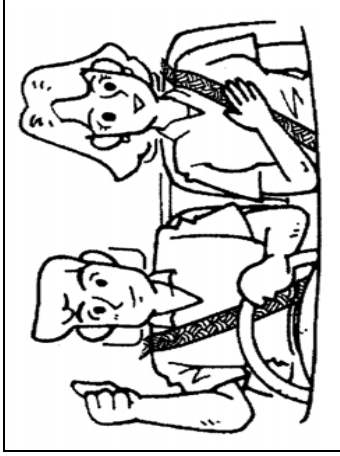
Raise the seatback until it locks into place. After returning the seat, try moving the seatback to make sure they are securely latched.

## BEFORE DRIVING

### **▲ WARNING**

- Luggage or other cargo should be stowed in the luggage compartment with the rear seat in an upright position, whenever possible. If you need to carry cargo in the passenger compartment with the rear seatback folded forward, be sure to secure the cargo or it may be thrown about, causing injury. Never pile cargo higher than the seatbacks.
- When returning a rear seatback to the normal position, make sure the seatback is securely latched.

## Seat Belts and Child Restraint Systems



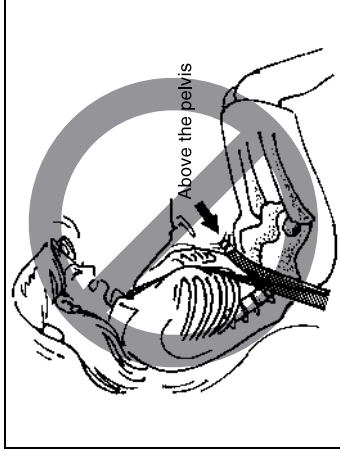
65D231S

### **▲ WARNING**

Wear Your Seat Belts at All Times.

### **▲ WARNING**

An air bag supplements, or adds to, the frontal crash protection offered by seat belts. The driver and all passengers must be properly restrained by wearing seat belts at all times, whether or not an air bag is mounted at their seating position, to minimize the risk of severe injury or death in the event of a crash.



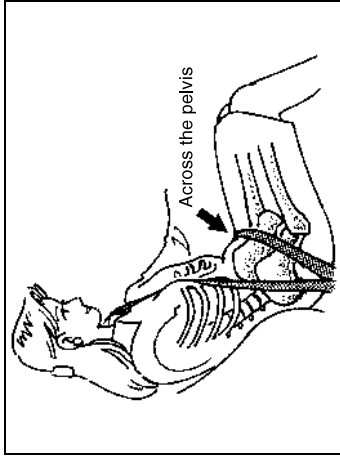
65D606

### **▲ WARNING**

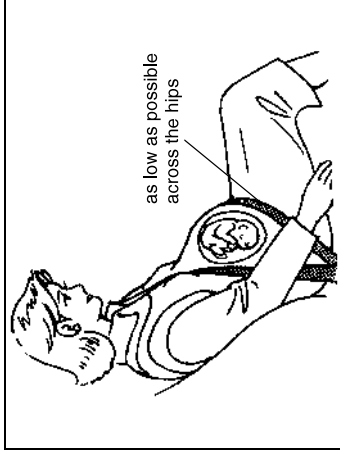
- Never allow persons to ride in the cargo area of a vehicle. In the event of an accident, there is a much greater risk of injury for persons who are not riding in a seat with their seat belt securely fastened.
- Seat belts should always be adjusted as follows:
  - the lap portion of the belt should be worn low across the pelvis, not across the waist.
  - the shoulder straps should be worn on the outside shoulder only, and never under the arm.
  - the shoulder straps should be away from your face and neck, but not falling off your shoulder.

(Continued)

## BEFORE DRIVING



65D201



65D199

**⚠ WARNING**

(Continued)

- Seat belts should never be worn with the straps twisted and should be adjusted as tightly as is comfortable to provide the protection for which they have been designed. A slack belt will provide less protection than one which is snug.
- Make sure that each seat belt buckle is inserted into the proper buckle catch. It is possible to cross the buckles in the rear seat.

(Continued)

**⚠ WARNING**

(Continued)

- Pregnant women should use seat belts, although specific recommendations about driving should be made by the woman's medical advisor. Remember that the lap portion of the belt should be worn as low as possible across the hips, as shown in the diagram.
- Do not wear your seat belt over hard or breakable objects in your pockets or on your clothing. If an accident occurs, objects such as glasses, pens, etc. under the seat belt can cause injury.

(Continued)

**⚠ WARNING**

(Continued)

- Never use the same seat belt on more than one occupant and never attach a seat belt over an infant or child being held on an occupant's lap. Such seat belt use could cause serious injury in the event of an accident.
- Periodically inspect seat belt assemblies for excessive wear and damage. Seat belts should be replaced if webbing becomes frayed, contaminated, or damaged in any way. It is essential to replace the entire seat belt assembly after it has been worn in a severe impact, even if damage to the assembly is not obvious.
- Children age 12 and under should ride properly restrained in the rear seat.
- Infants and small children should never be transported unless they are properly restrained. Restraint systems for infants and small children can be purchased locally and should be used. Make sure that the system you purchase meets applicable safety standards. Read and follow all the directions provided by the manufacturer.

(Continued)

## BEFORE DRIVING

### WARNING

(Continued)

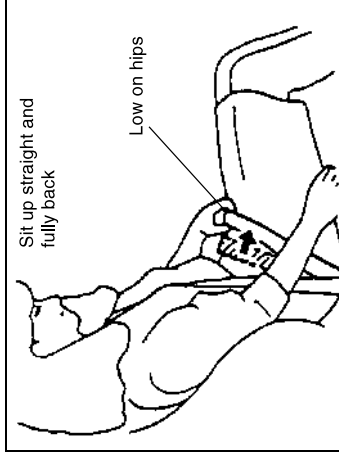
- Avoid contamination of seat belt webbing by polishes, oils, chemicals, and particularly battery acid. Cleaning may safely be carried out using mild soap and water.
- For children, if the shoulder belt irritates the neck or face, move the child closer to the center of the vehicle.
- All seatbacks should always be in an upright position when driving, or seat belt effectiveness may be reduced. Seat belts are designed to offer maximum protection when seatbacks are in the upright position.

### Lap-Shoulder Belt

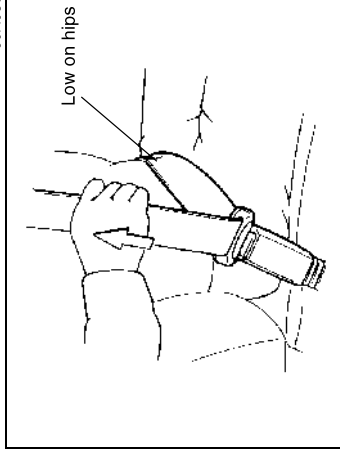
#### Emergency Locking Retractor (ELR)

The seat belt has an emergency locking retractor (ELR), which is designed to lock the seat belt only during a sudden stop or impact. It also may lock if you pull the belt across your body very quickly. If this happens, let the belt go back to unlock it, then pull the belt across your body more slowly.

#### Safety reminder



60A038



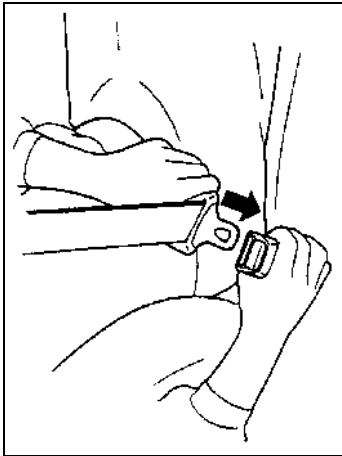
60A040

To reduce the risk of sliding under the belt during a collision, position the lap portion of the belt across your lap as low on your hips as possible and adjust it to a snug fit by pulling the shoulder portion of the belt upward through the latch plate. The length of the diagonal shoulder strap adjusts itself to allow freedom of movement.

## BEFORE DRIVING

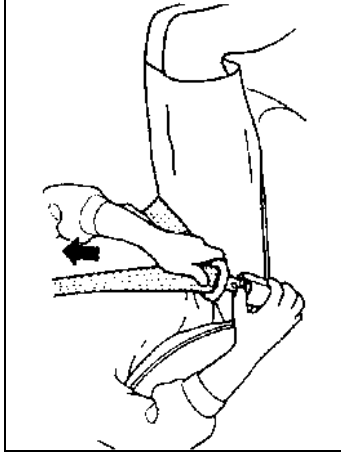
### All Seat Belts Except Rear Center

All seat belts except rear center are the lap-shoulder belt.



60A036

To fasten the seat belt, sit up straight and well back in the seat, pull the latch plate attached to the seat belt across your body and press it into the buckle until you hear a "click".



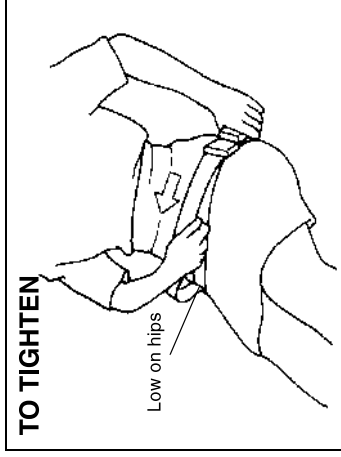
60A039

To unfasten the belt, push the button on the buckle and allow the belt to retract.

### Rear Center Seat Belt

Rear center seat belt is the lap belt.

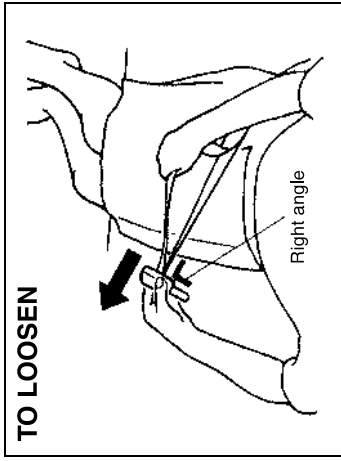
To fasten the belt, pull the latch plate attached to the seat belt across your hips and press it into the buckle until you hear a "click". To reduce the risk of sliding under the belt during a collision, position the belt across your lap as low on your hips as possible and adjust it to a snug fit.



60B038

To tighten the belt, pull the free end of the belt across alongside the lap strap.

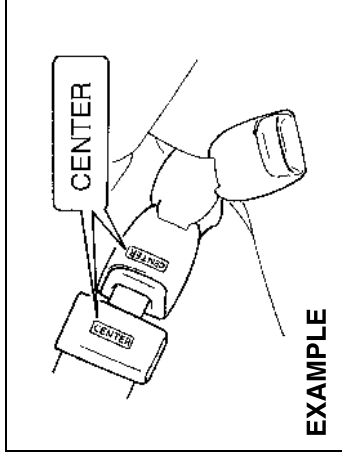
## BEFORE DRIVING



To lengthen, release the latch plate from the buckle, pull the latch plate (adjuster) in the direction of the arrow, at right angles to the belt. The latch plate should then be refitted into the buckle and the belt tightened as previously described.

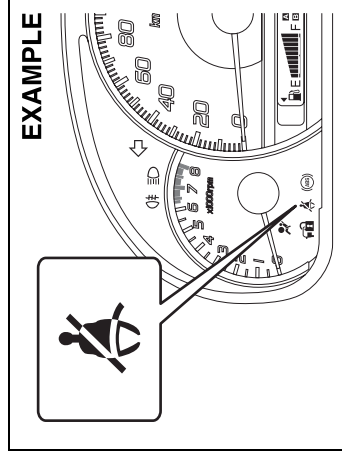
## Driver's Seat Belt Reminder (if equipped)

To unfasten the belt, press the release button on the buckle catch.



### EXAMPLE

**NOTE:**  
To identify the center seat belt buckle and latch plate in the rear seat, "CENTER" is marked on the buckle and latch plate of the center lap belt. The buckles are designed so a latch plate cannot be inserted into the wrong buckle.



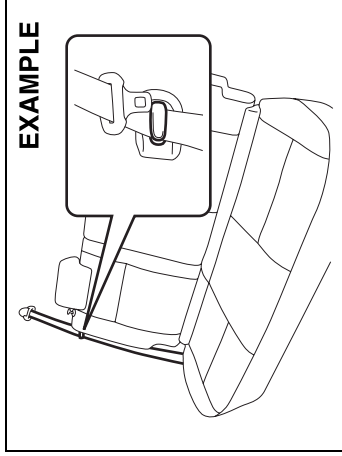
When the driver doesn't buckle his or her seat belt with the ignition switch in the "ON" position, the driver's seat belt reminder light in the instrument cluster will blink until the driver's seat belt is buckled.

The reminder will be automatically canceled when the driver's seat belt is buckled or the ignition switch is turned off.

## BEFORE DRIVING

**▲ WARNING**  
It is absolutely essential that the driver and passengers wear their seat belts at all times. Persons who are not wearing seat belts have a much greater risk of injury if an accident occurs. Make a regular habit of buckling your seat belt before putting the key in the ignition.

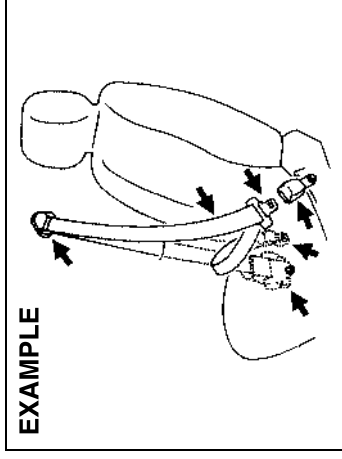
### Seat Belt Hanger



#### CAUTION

- When you move a seatback, make sure the webbing is hooked in the seat belt hangers so the seat belts are not caught by the seatback, seat hinge, or seat latch. This helps prevent damage to the belt system.
- Make sure the belt webbing is not twisted.

### Seat Belt Inspection



Periodically inspect the seat belts to make sure they work properly and are not damaged. Check the webbing, buckles, latch plates, retractors, anchorages, and guide loops. Replace any seat belts which do not work properly or are damaged.

#### ▲ WARNING

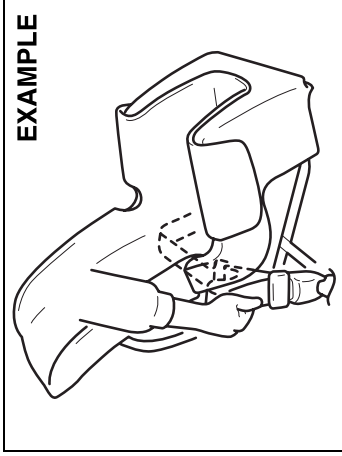
Be sure to inspect all seat belt assemblies after any collision. Any seat belt assembly which was in use during a collision (other than a very minor one) should be replaced, even if damage to the assembly is not obvious. Any seat belt assembly which was not in use during a collision should be replaced if it does not function properly or is damaged in any way.

## BEFORE DRIVING

### Child Restraint Systems



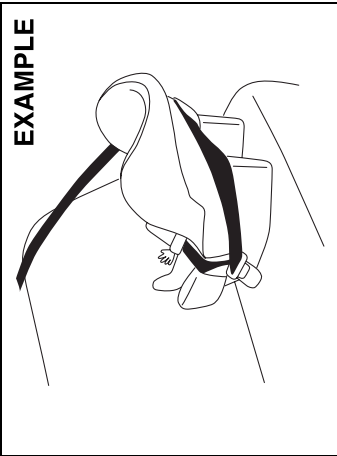
### Child restraint



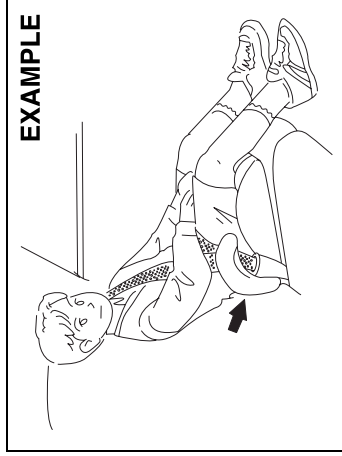
MARUTI SUZUKI highly recommends that you use a child restraint system to restrain infants and small children. Many different types of child restraint systems are available; make sure that the restraint system you select meets applicable safety standards.

All child restraint systems are designed to be secured on vehicle seats by either seat belts (lap belts or the lap portion of lap-shoulder belts). Whenever possible, MARUTI SUZUKI recommends that child restraint systems be installed on the rear seat. According to accident statistics, children are safer when properly restrained in rear seating positions than in front seating positions.

### Infant restraint



### Booster seat



If you must use a front-facing child restraint in the front passenger's seat, adjust the passenger's seat as far back as possible.

**NOTE:**  
Observe any statutory regulation about child restraints.

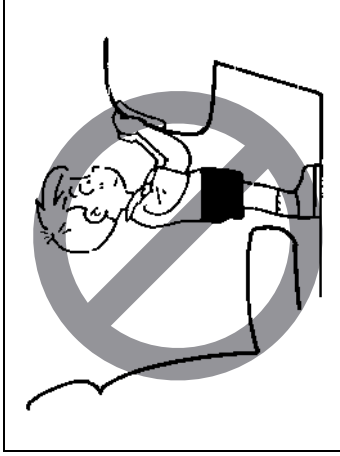


**BEFORE DRIVING**

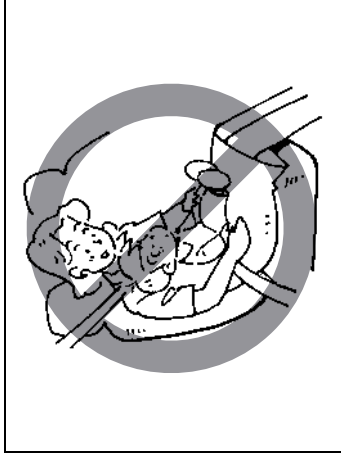


65D607

**▲ WARNING**  
If you install a child restraint system in the rear seat, slide the front seat far enough forward so that the child's feet do not touch the front seatback. This will help avoid injury to the child in the event of an accident.



65D608



65D609

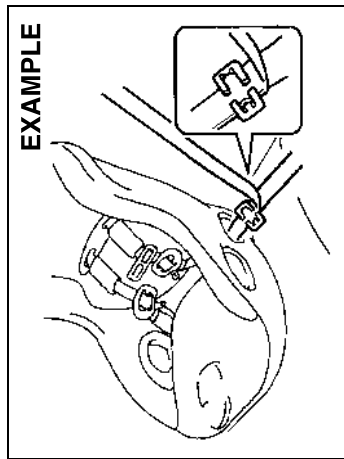
**▲ WARNING**  
If your vehicle is equipped with a front passenger air bag, do not install a rear-facing child restraint in the front passenger's seat. If the passenger's air bag inflates, a child in a rear-facing child restraint could be killed or seriously injured. The back of a rear-facing child restraint would be too close to the inflating air bag.

**▲ WARNING**  
Children could be endangered in a crash if their child restraints are not properly secured in the vehicle. When installing a child restraint system, be sure to follow the instructions below. Be sure to secure the child in the restraint system according to the manufacturer's instructions.

## BEFORE DRIVING

### Installation with Lap-Shoulder Seat Belts

#### ELR type belt



80JC021

Install your child restraint system according to the instructions provided by the child restraint system manufacturer.

Make sure that the seat belt is securely latched.

Try to move the child restraint system in all directions to make sure it is securely installed.

## BEFORE DRIVING

### Supplemental Restraint System (air bags) (if equipped)

#### **▲ WARNING**

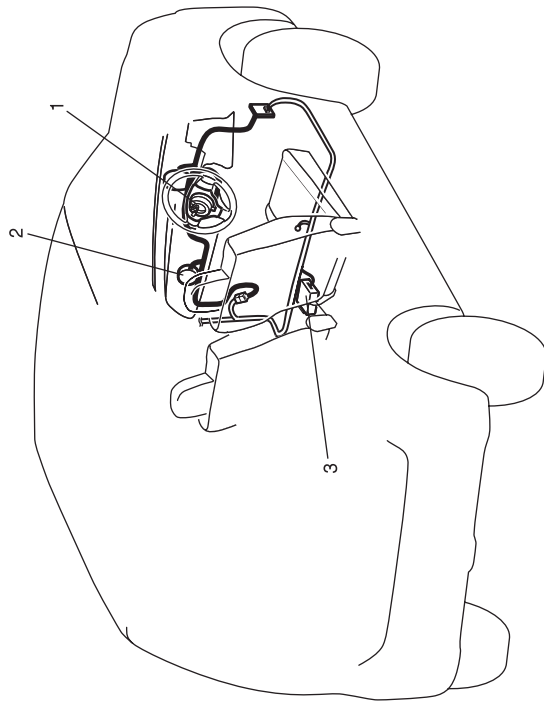
This section of the owner's manual describes the protection provided by your **MARUTI SUZUKI'S SUPPLEMENTAL RESTRAINT SYSTEM** (air bags).

Please read and follow **ALL** these instructions carefully to minimize your risk of severe injury or death in the event of a collision.

Your vehicle is equipped with a Supplemental Restraint System consisting of the following components in addition to a lap-shoulder belt at each front seating position.

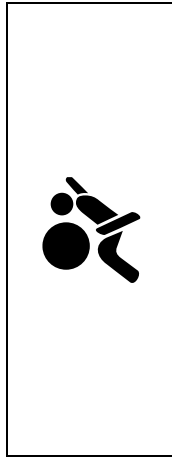
1. Driver's front air bag module (if equipped)
2. Front passenger's front air bag module (if equipped)
3. Air bag controller (if equipped)

#### EXAMPLE



67LH101

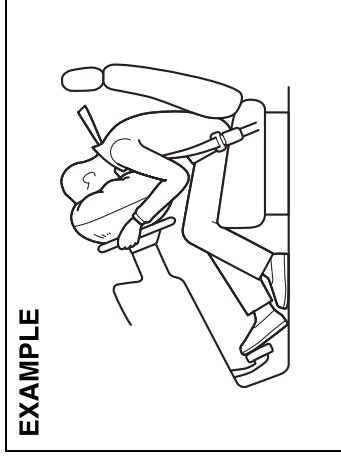
## BEFORE DRIVING



If the "AIR BAG" light on the instrument cluster does not blink or come on when the ignition switch is first turned to the "ON" position, or the "AIR BAG" light stays on, or comes on while driving, the air bag system may not work properly. Have the air bag system inspected by an **MARUTI SUZUKI** Authorized workshop as soon as possible.

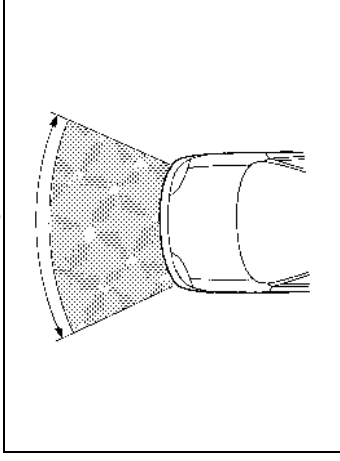
### Front Air Bags

#### EXAMPLE



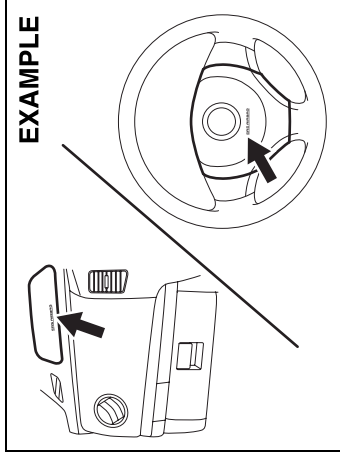
dashboard. The words "SRS AIRBAC" are molded into the air bag covers to identify the location of the air bags.

#### Frontal collision range



Front air bags are designed to inflate only in severe frontal collisions.

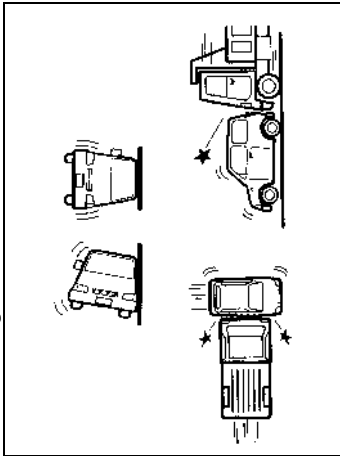
#### EXAMPLE



The driver's front air bag is located behind the center pad of the steering wheel and the front passenger's front air bag is located behind the passenger's side of the

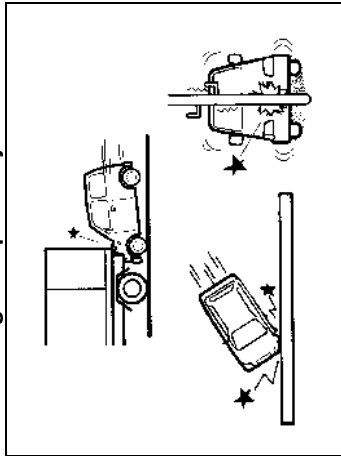
## BEFORE DRIVING

### Front air bags will not inflate



65D236

### Front air bags will probably not inflate



65D237

Front air bags are not designed to inflate in rear impacts, side impacts, rollovers or minor frontal collisions, since they would offer no protection in those types of acci-

dents. Remember, since an air bag deploys only one time during an accident, seat belts are needed to restrain occupants from further movements during the accident.

Therefore, an air bag is NOT a substitute for seat belts. To maximize your protection, ALWAYS WEAR YOUR SEAT BELTS. Be aware that no system can prevent all possible injuries that may occur in an accident.

### ⚠ WARNING

An air bag supplements, or adds to, the crash protection offered by seat belts. The driver and all passengers must be properly restrained by wearing seat belts at all times, whether or not an air bag is mounted at their seating position, to minimize the risk of severe injury or death in the event of a crash.



65D607

### ⚠ WARNING

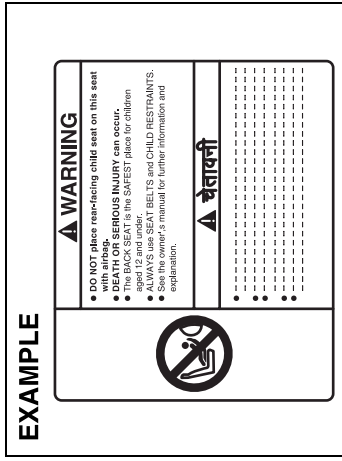
Do not install a rear-facing child restraint in the front passenger's seat. If the passenger's front air bag inflates, a child in a rear-facing child restraint could be killed or severely injured. The back of a rear-facing child restraint would be too close to the inflating air bag.

If you must use a front-facing child restraint in the front passenger's seat, be sure to move the front passenger's seat as far back as possible.

Please refer to the "Seat Belts and Child Restraint Systems" section in this section for details on securing your child.

## BEFORE DRIVING

### Air bag symbol (if equipped)



You may find this label on the sun visor. This means "Do not use a rearward facing child restraint on a seat protected by an air bag in front of it!"

in this section for details on proper seat and seat belt adjustments.



**How the system works**  
In a frontal collision, the crash sensors will detect rapid deceleration, and if the controller judges that the deceleration represents a severe frontal crash, the controller will trigger the inflators. The inflators inflate the air bags with nitrogen or argon gas. The inflated air bags provide a cushion for your head and upper body. The air bag inflates and deflates so quickly that you may not even realize that it has activated. The air bag will neither hinder your view nor make it harder to exit the vehicle.

Air bags must inflate quickly and forcefully in order to reduce the chance of serious or fatal injuries. However, an unavoidable consequence of the quick inflation is that the air bag may irritate bare skin, such as the facial area. Also, upon inflation, a loud noise will occur and some powder and smoke will be released. These conditions are not harmful and do not indicate a fire in the car. Be aware, however, that some air bag components may be hot for a while after inflation.

A seat belt helps keep you in the proper position for maximum protection when an air bag inflates. Adjust your seat as far back as possible while still maintaining control of the vehicle. Sit fully back in your seat; sit up straight; do not lean over the steering wheel or dashboard. Please refer to the "Front Seat" section and the "Seat Belts and Child Restraint Systems" section

## BEFORE DRIVING

service work on your MARUTI SUZUKI. Do not touch air bag system components or wires. The wires are wrapped with yellow tape or yellow tubing, and the couplers are yellow for easy identification.

Scrapping a car that has an uninflated air bag can be hazardous. Ask your MARUTI SUZUKI Authorized workshop, body repair shop or scrap yard for help with disposal.

activated the deployment, and for a certain vehicle only, whether the driver's seat belt was in use.

### **Servicing the air bag system**

If the air bags inflate, have the air bags and related components replaced by an MARUTI SUZUKI Authorized workshop as soon as possible.

If your vehicle ever gets in deep water and the driver's floor is submerged, the air bag controller could be damaged. If it does, have the air bag system inspected by the MARUTI SUZUKI Authorized workshop as soon as possible.

Special procedures are required for servicing or replacing an air bag. For that reason, only an MARUTI SUZUKI Authorized workshop should be allowed to service or replace your air bags. Please remind anyone who services your MARUTI SUZUKI that it has air bags.

Service on or around air bag components or wiring must be performed only by an MARUTI SUZUKI Authorized workshop. Improper service could result in unintended air bag deployment or could render the air bag inoperative. Either of these two conditions may result in severe injury.

To prevent damage or unintended inflation of the air bag system, be sure the battery is disconnected and the ignition switch has been in the "LOCK" position for at least 90 seconds before performing any electrical

### **▲ WARNING**

- **The driver should not lean over the steering wheel. The front passenger should not rest his or her body against the dashboard, or otherwise get too close to the dashboard. In these situations, the out-of-position occupant would be too close to an inflating air bag, and may suffer severe injury.**
- **Do not attach any objects to, or place any objects over, the steering wheel or dashboard. Do not place any objects between the air bag and the driver or front passenger. These objects may interfere with air bag operation or may be propelled by the air bag in the event of a crash. Either of these conditions may cause severe injury.**

Note that even though your vehicle may be moderately damaged in a frontal collision, the collision may not have been severe enough to trigger the air bags to inflate. If your car sustains ANY front-end damage, have the air bag system inspected by an MARUTI SUZUKI Authorized workshop to ensure it is in proper working order.

Your vehicle is equipped with a diagnostic module which records information about the air bag system if the air bags deploy in a crash. The module records information about overall system status, which sensors

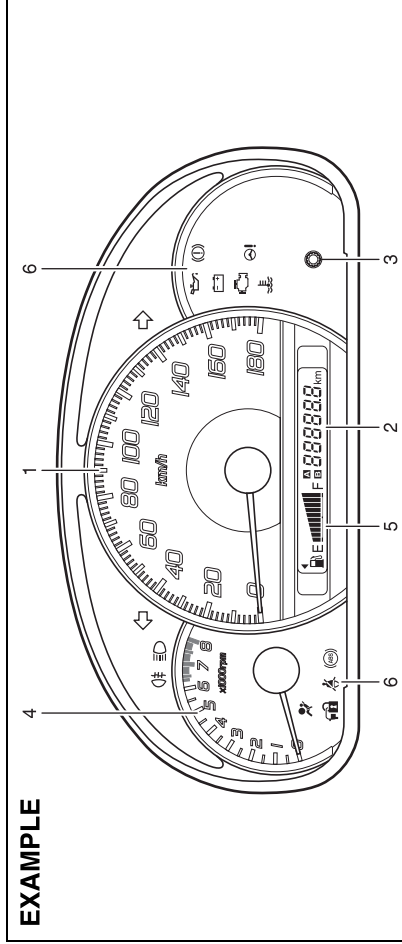
## BEFORE DRIVING

### Instrument Cluster

1. Speedometer
2. Odometer/Trip meter
3. Odometer/Trip meter selector knob
4. Tachometer
5. Fuel gauge
6. Warning and indicator lights

with tachometer

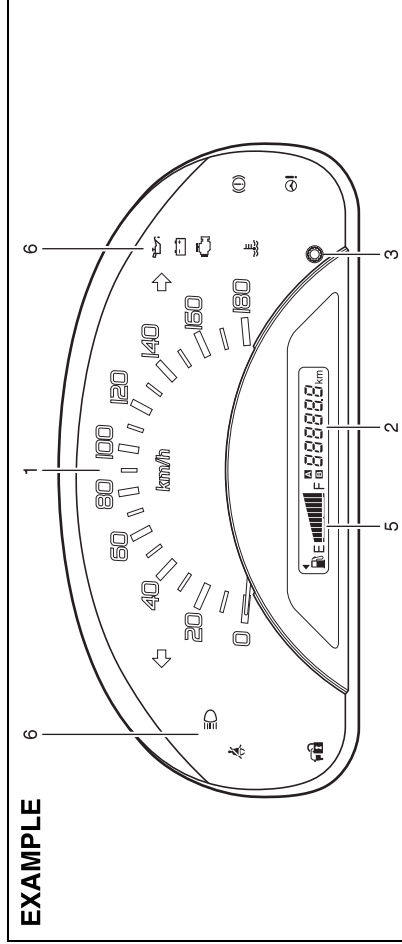
#### EXAMPLE



67LH030

without tachometer

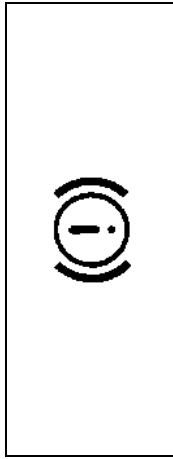
#### EXAMPLE



67LH031



## Warning and Indicator Lights Brake System Warning Light



Three different types of operations exist depending on the vehicle's specification.

- 1) The light comes on briefly when the ignition switch is turned to the "ON" position.
- 2) The light comes on when the parking brake is engaged with the ignition switch in the "ON" position.
- 3) The light comes on when under either or both of above two conditions.

The light also comes on when the fluid in the brake fluid reservoir falls below the specified level.

The light should go out after starting the engine and fully releasing the parking brake, if the fluid level in the brake fluid reservoir is adequate.

The light also comes on together with the ABS warning light when the rear brake force control function (proportioning valve function) of the ABS system fails.

If the brake system warning light comes on while you are driving the vehicle, it may mean that there is something wrong with the vehicle's brake system. If this happens, you should:

- 1) Pull off the road and stop carefully.

### ⚠ WARNING

**Remember that stopping distance may be longer, you may have to push harder on the pedal, and the pedal may go down farther than normal.**

- 2) Test the brakes by carefully starting and stopping at the side of the road.
  - If you determine that it is safe, drive carefully at low speed to the nearest dealer for repairs, or
  - Have the vehicle towed to the nearest dealer for repairs.

### ⚠ WARNING

If any of the following conditions occur, you should immediately ask your **MARUTI SUZUKI** Authorized workshop to inspect the brake system.

- If the brake system warning light does not go out after the engine has been started and the parking brake has been fully released.
- If the brake system warning light does not come on when the ignition switch is turned to the "ON" position.
- If the brake system warning light comes on at any time during vehicle operation.

### NOTE:

*Because the disc brake system is self-adjusting, the fluid level will drop as the brake pads become worn. Replenishing the brake fluid reservoir is considered normal periodic maintenance.*

## BEFORE DRIVING

### Seat Belt Warning Light (if equipped)

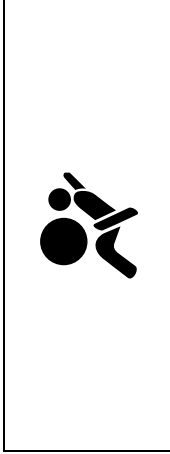


60G049

If the driver's seat belt is unbuckled when the ignition switch is turned to the "ON" position, this light will blink until the driver's seat belt is buckled.

For details about the seat belt reminder, refer to "Seat Belts and Child Restraint Systems" in this section.

### "AIR BAG" Light (if equipped)



63J030

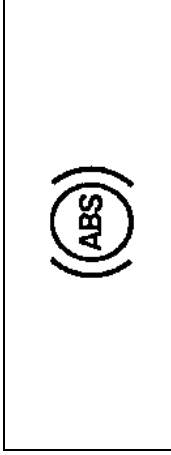
This light blinks or comes on for several seconds when the ignition switch is turned to the "ON" position so you can check if the light is working.

The light will come on and stay on if there is a problem in the air bag system.

#### **▲ WARNING**

**If the "AIR BAG" light does not blink or come on briefly when the ignition switch is turned to the "ON" position, stays on for more than 10 seconds, or comes on while driving, the air bag system may not work properly. Have both systems inspected by an MARUTI SUZUKI Authorized workshop.**

### Anti-Lock Brake System (ABS) Warning Light (if equipped)



65D529

When the ignition switch is turned to the "ON" position, the light comes on briefly so you can check that the light is working. If the light stays on, or comes on when driving, there may be something wrong with the ABS.

If this happens:

- 1) Pull off the road and stop carefully.
- 2) Turn the ignition switch to "LOCK" and then start the engine again.

If the warning light comes on briefly then turns off, the system is normal. If the warning light still stays on, there may be something wrong in the system.

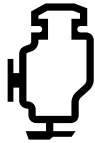
If the light and the brake system warning light stay on, or come on simultaneously when driving, your ABS system is equipped with the rear brake force control function (proportioning valve function) and there may be something wrong with both the rear brake force control function and anti-lock function of the ABS system.

## BEFORE DRIVING

If one of these happens, have the system inspected by your MARUTI SUZUKI Authorized workshop.

If the ABS becomes inoperative, the brake system will function as an ordinary brake system that does not have this ABS system.

### Malfunction Indicator Light



63J031

Your vehicle has a computer-controlled emission control system. A malfunction indicator light is provided on the instrument panel to indicate when it is necessary to have the emission control system serviced. The malfunction indicator light comes on when the ignition switch is turned to "ON" and goes out when the engine is started.

If the malfunction indicator light comes on when the engine is running, there is a problem with the emission control system. Bring the vehicle to your MARUTI SUZUKI Authorized workshop. to have the problem corrected.

### CAUTION

**Continuing to drive the vehicle when the malfunction indicator light is on can cause permanent damage to the vehicle's emission control system, and can affect fuel economy and driveability.**

### Electric Power Steering Light



79J039

This light comes on when the ignition switch is turned to the "ON" position, and goes out when the engine is started.

If this light comes on while driving, the power steering system may not work properly. Have the system inspected by your MARUTI SUZUKI Authorized workshop..

### NOTE:

*If the power steering system does not work properly, you will feel heavier to steer but you still will be able to steer.*

## BEFORE DRIVING

### Oil Pressure Light



50G051

This light comes on when the ignition switch is turned to the "ON" position, and goes out when the engine is started. The light will come on and remain on if there is insufficient oil pressure. If the light comes on when driving, pull off the road as soon as you can and stop the engine. Check the oil level and add oil if necessary. If there is enough oil, the lubrication system should be inspected by your MARUTI SUZUKI Authorized workshop. before you drive the vehicle again.

#### CAUTION

- If you operate the engine with this light on, severe engine damage can result.
- Do not rely on the Oil Pressure Light to indicate the need to add oil. Be sure to periodically check the engine oil level.

### Charging Light



50G052

This light comes on when the ignition switch is turned to the "ON" position, and goes out when the engine is started. The light will come on and remain on if there is something wrong with the battery charging system. If the light comes on when the engine is running, the charging system should be inspected immediately by your MARUTI SUZUKI Authorized workshop.

### High Engine Coolant Temperature Warning Light (red color)



54G344

When the ignition switch is turned to the "ON" position, this light comes on briefly so you can check that the light is working. If this light blinks while driving, it means the engine is running hot. Avoid driving conditions that may lead to actual overheating. If the light stays on without blinking, then the engine is overheating. Follow the instructions in the "If the Engine Overheats" of "EMERGENCY SERVICE" section.

#### CAUTION

Continuing to drive the vehicle when engine overheating is indicated can result in severe engine damage.

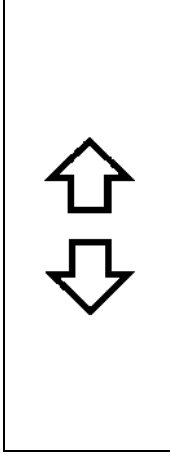
## BEFORE DRIVING

### Immobilizer System Light



This light comes on when the ignition switch is turned to the "ON" position, and goes out when the engine is started. If this light blinks with the ignition switch turned to "ON", there may be something wrong with the immobilizer system. Ask your MARUTI SUZUKI Authorized workshop to have the system inspected.

### Turn Signal Indicators



When you turn on the left or right turn signals, the corresponding green arrow on the instrument panel will flash along with the respective turn signal lights. When you turn on the hazard warning switch, both arrows will flash along with all of the turn signal lights.

### Main Beam (high beam) Indicator Light



This indicator comes on when headlight main beams (high beams) are turned on.

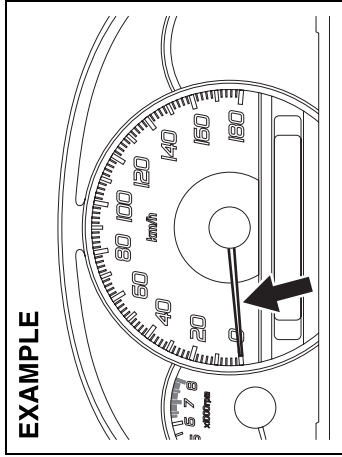
### Rear Fog Light Indicator Light (if equipped)



The rear fog light indicator light comes on when the rear fog light operates.

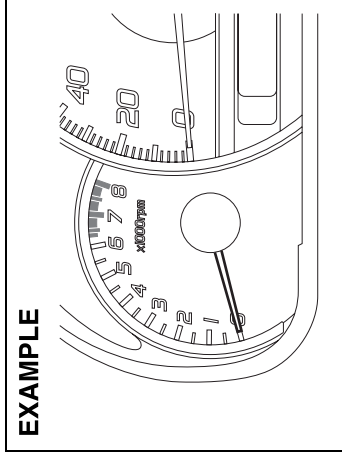
## BEFORE DRIVING

### Speedometer



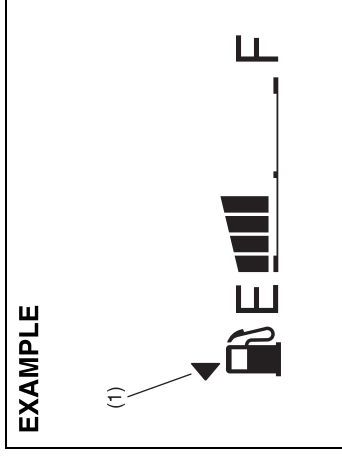
The speedometer indicates vehicle speed in km/h.

### Tachometer (if equipped)



The tachometer indicates engine speed in revolutions per minute.

### Fuel Gauge



When the ignition switch is in the "ON" position, this gauge gives an approximate indication of the amount of fuel in the fuel tank. "F" stands for full and "E" stands for empty.

The mark (1) indicates that the fuel filler door is located on the left side of the vehicle.

When the fuel meter indicator shows only one segment to "E", refill the tank as soon as possible.

#### NOTE:

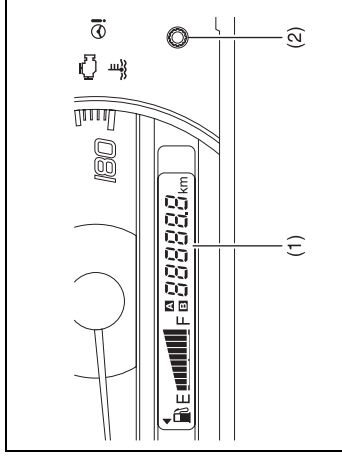
*If the last segment blinks, it means that the fuel is almost empty.*

## BEFORE DRIVING

### NOTE:

The fuel meter indicator varies depending on road conditions (for example, slope or curve) and driving conditions because of fuel moving in the tank.

### Information Display (if equipped)



67LH035

- (1) Odometer/Trip meter
- (2) Indicator selector knob

### **▲ WARNING**

If you attempt to adjust the display while driving, you could lose control of the vehicle.

Do not attempt to adjust the display while driving.

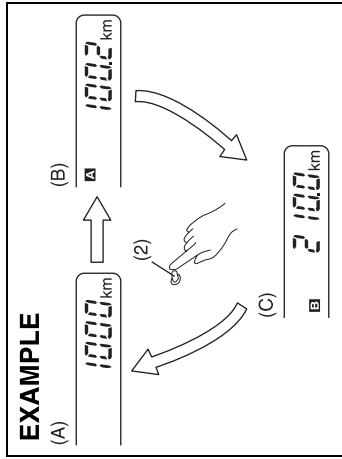
### Odometer/Trip meter

The odometer/trip meter is shown when the ignition switch is in the "ON" position. The odometer records the total distance the vehicle has been driven. The trip meter can be used to measure the distance traveled on short trips or between fuel stops.

### CAUTION

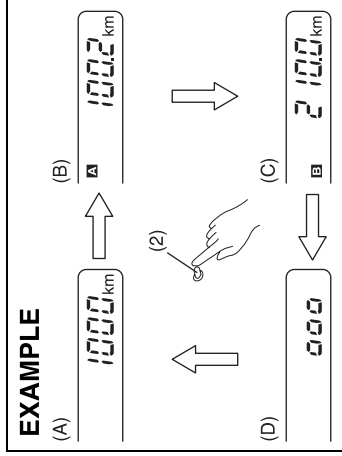
Keep track of your odometer reading and check the maintenance schedule regularly for required services. Increased wear or damage to certain parts can result from failure to perform required services at the proper mileage intervals.

**BEFORE DRIVING**



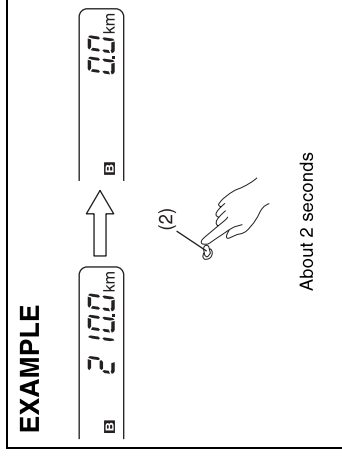
67LH036

When the ignition switch is turned to "ON" with the lighting switch in the "OFF" position, the display shows three types of indication; odometer (A), trip meter A (B) and trip meter B (C). Push the indicator selector knob (2) quickly to switch the indication among the three.



67LH037

When the ignition switch is turned to "ON" and the position lights, tail lights and/or the headlights are on, the display shows four types of indication; odometer (A), tripmeter A (B), tripmeter B (C) and indication of illumination intensity (D). Push the indicator selector knob (2) quickly to switch the indication among the four. When the indication shows (D), you can control the meter illumination intensity. Refer to "Meter illumination control" section below for details on how to dim or brighten the meter illumination.



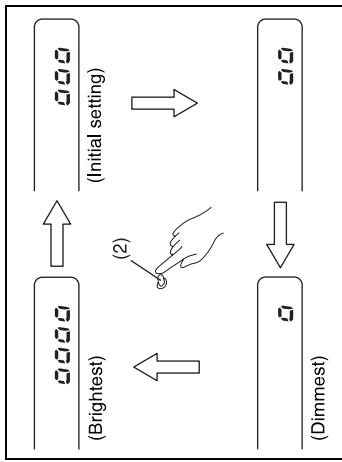
67LH038

To reset the trip meter to zero, hold in the indicator selector knob (2) for about 2 seconds.



## BEFORE DRIVING

### Meter illumination control



67LH039

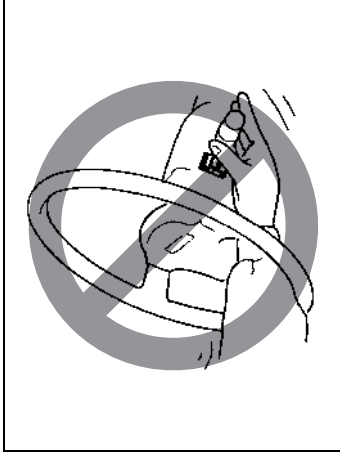
When the display shows the indication of illumination intensity (D), you can dim or brighten the meter illumination.

To change the meter illumination brightness, continue to hold in indicator selector knob (2). The indication will change as shown in the illustration. The illumination gets dimmer then returns to the brightest condition after it reaches the dimmest.

#### NOTE:

When you reconnect the negative (-) terminal to the battery, the brightness of the instrument panel lights will be reinitialized. Readjust the brightness according to your preference.

### Lighting Control Lever



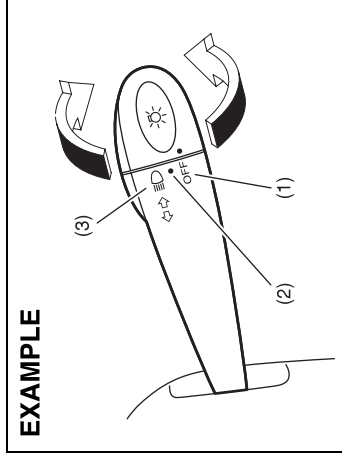
65D611

#### ▲ WARNING

To avoid possible injury, do not operate controls by reaching through the steering wheel.

### Lighting Operation

#### EXAMPLE



68KH098

To turn the lights on or off, twist the knob on the end of the lever. There are three positions:

#### OFF (1)

All lights are off.

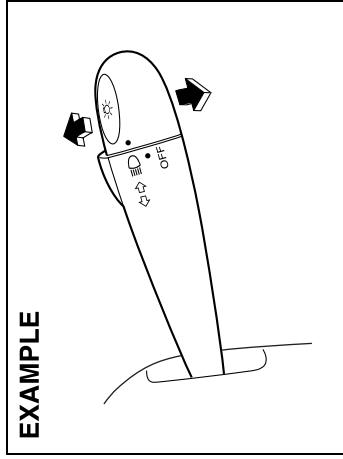
#### ● (2)

Front position lights, tail lights, license plate light and instrument lights are on, but headlights are off.

#### ☰ (3)

Front position lights, tail lights, license plate light, instrument lights and head lights are on.

## BEFORE DRIVING

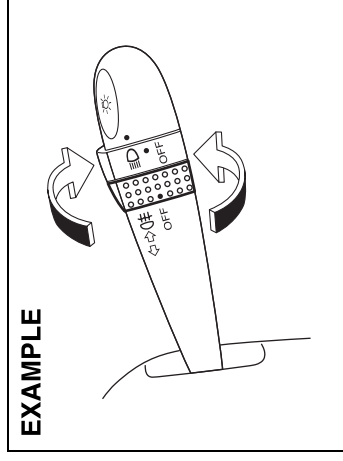


With the headlights on, push the lever forward to switch to the high beams (main beams) or pull the lever toward you to switch to the low beams. When the high beams (main beams) are on, a light on the instrument panel will come on. To momentarily activate the high beams (main beams) as a passing signal, pull the lever slightly toward you and release it when you have completed the signal.

### Lights "On" reminder (if equipped)

A buzzer/chime sounds to remind you to turn off the lights if they are left on when the ignition key is removed and the driver's door is opened.

### Rear Fog Light Switch (if equipped)

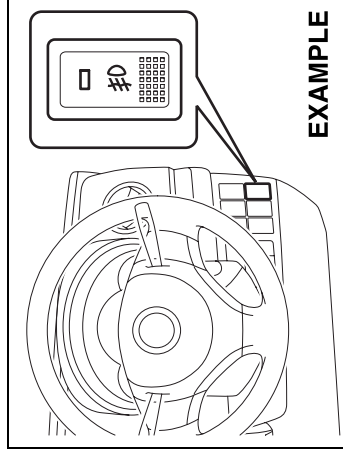


To turn the rear fog light on, twist the knob as shown in the illustration with the head lights are on. When the rear fog light is on, an indicator light on the instrument cluster will come on. Do not turn the rear fog light switch unless the head lights are on.

### NOTE:

When the head light switch is returned to the "OFF" position, the rear fog light switch will be cancelled automatically.

### Front Fog Light Switch (if equipped)



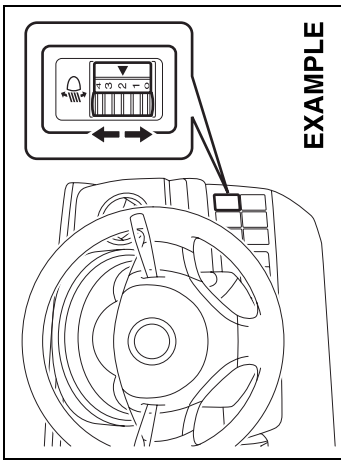
The front fog light comes on when the fog light switch is pushed in with the position lights, tail lights and/or the headlights are on. An indicator light above the switch will be lit when the front fog light is on.

### NOTE:

In some countries the lighting operation may be different from the above description according to local regulations.

**BEFORE DRIVING**

**Headlight Leveling Switch**

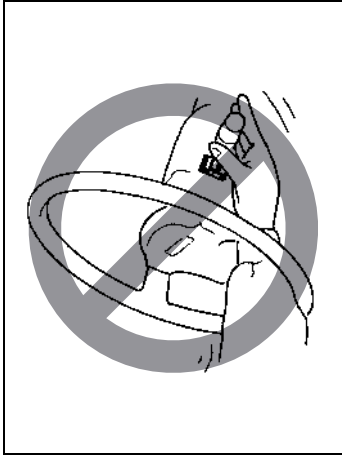


**EXAMPLE**

67LH042

Level the headlight beam according to the load condition of your vehicle by turning this switch when the position lights, tail lights and/or headlights are on. The chart below shows the appropriate switch position for different vehicle-load conditions.

**Turn Signal Control Lever**



65D611

**⚠ WARNING**

To avoid possible injury, do not operate controls by reaching through the steering wheel.

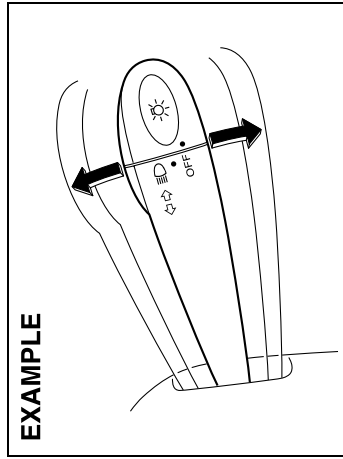
Vehicle Load Condition	Switch Position
Driver only	0
Driver + 1 passenger (in front seat)	0
Driver + 4 passengers, no cargo	1
Driver + 4 passengers, cargo added	2
Driver + full cargo	3
Dummy	4

## BEFORE DRIVING

### Turn Signal Operation

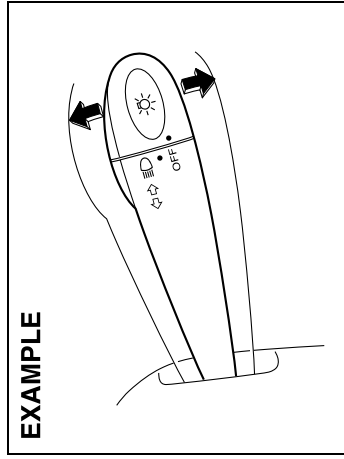
With the ignition switch in the "ON" position, move the lever up or down to activate the right or left turn signals.

### Normal turn signal



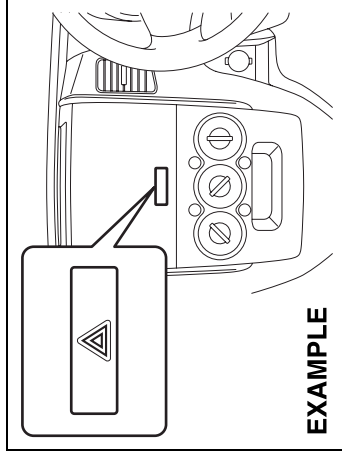
Move the lever all the way upward or downward to signal. When the turn is completed, the signal will cancel and the lever will return to its normal position.

### Lane change signal



Some times, such as when changing lanes, the steering wheel is not turned far enough to cancel the turn signal. For convenience, you can flash the turn signal by moving the lever part way and holding it there. The lever will return to its normal position when you release it.

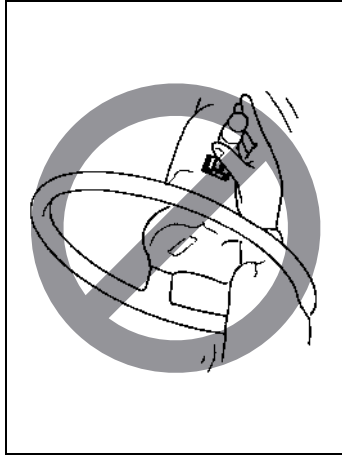
### Hazard Warning Switch



Push in the hazard warning switch to activate the hazard warning lights. All turn signal lights and both turn signal indicators will flash simultaneously. To turn off the lights, push the switch again. Use the hazard warning lights to warn other traffic during emergency parking or when your vehicle could otherwise become a traffic hazard.

## BEFORE DRIVING

### Windshield Wiper and Washer Lever



65D611

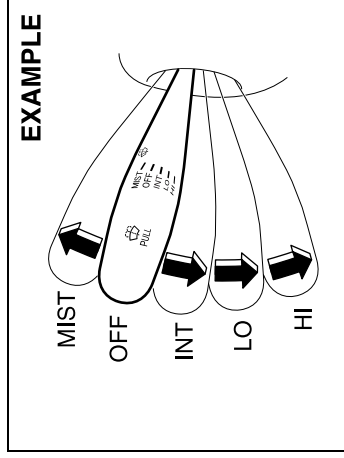
#### **▲ WARNING**

To avoid possible injury, do not operate controls by reaching through the steering wheel.

### Wiper and Washer Operation

When the ignition switch is in the "ON" position, you can use the wiper/washer lever or switch (if equipped).

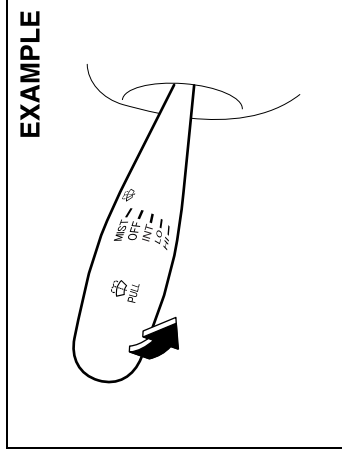
### Windshield Wipers



68KH027

To turn the windshield wipers on, move the lever down to one of the three operating positions. In the "INT" position, the wipers operate intermittently. The "INT" position is very convenient for driving in mist or light rain. In the "LO" position, the wipers operate at a steady low speed. In the "HI" position, the wipers operate at a steady high speed. To turn off the wipers, move the lever back to the "OFF" position. Move the lever up and hold it to the "MIST" position, the windshield wipers will turn on continuously at low speed.

### Windshield Washer



68KH029

To spray windshield washer fluid, pull the lever toward you. The windshield wipers will automatically turn on at low speed if they are not already on and the "INT" position is equipped.

#### **▲ WARNING**

- To prevent windshield icing in cold weather, turn on the defroster to heat the windshield before and during windshield washer use.
- Do not use radiator antifreeze in the windshield washer reservoir. It can severely impair visibility when sprayed on the windshield, and can also damage your vehicle's paint.

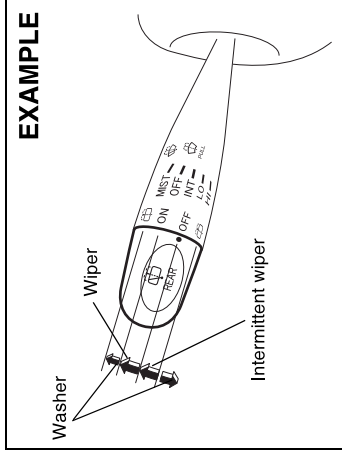
## BEFORE DRIVING

### CAUTION

To help prevent damage to the windshield wiper and washer system components, you should take the following precautions:

- Do not continue to hold in the lever when there is no windshield washer fluid being sprayed or the washer motor can be damaged.
- Do not attempt to remove dirt from a dry windshield with the wipers or you can damage the windshield and the wiper blades. Always wet the windshield with washer fluid before operating the wipers.
- Clear ice or packed snow from the wiper blades before using the wipers.
- Check the washer fluid level regularly. Check it often when the weather is bad.
- Only fill the washer fluid reservoir 3/4 full during cold weather to allow room for expansion if the temperature falls low enough to freeze the solution.

### Rear Window Wiper/Washer Switch (if equipped)



### CAUTION

Clear ice or snow from the rear window and rear wiper blade before using the rear wiper. Accumulated ice or snow could prevent the wiper blade from moving, causing damage to the wiper motor.

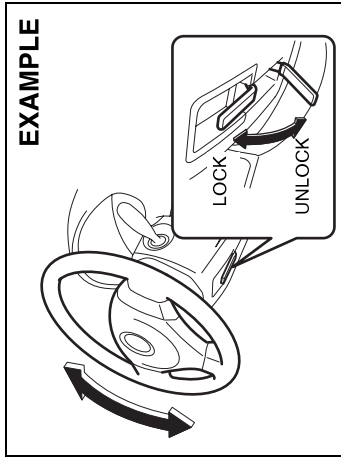
To turn the rear wiper on, twist the rear wiper switch on the end of the lever forward to the "ON" position. To turn the rear wiper off, twist the switch rearward to the "OFF" position.

With the rear wiper in the "OFF" position, twist the switch rearward and hold it there to spray window washer fluid.

With the rear wiper in the "ON" position, turn the switch forward and hold it there to spray window washer fluid.

## BEFORE DRIVING

### Tilt Steering Lock Lever (if equipped)

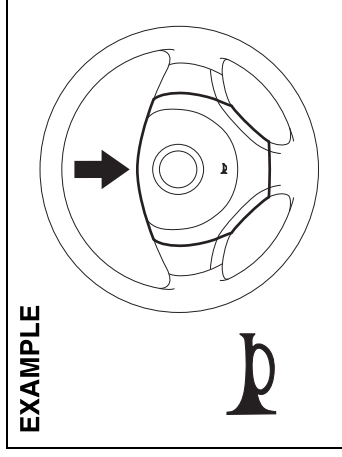


67LH046

The lock lever is located under the steering column. To adjust the steering wheel height:

- 1) Push down the lock lever to unlock the steering column.
- 2) Adjust the steering wheel to the desired height and lock the steering column by pulling up the lock lever.
- 3) Try moving the steering wheel up and down to make sure it is securely locked in position.

### Horn



67LH044

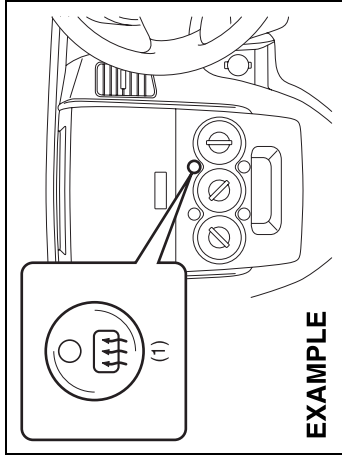
Press the horn button of the steering wheel to sound the horn. The horn will sound with the ignition switch in any position.

### **▲** WARNING

Never attempt to adjust the steering wheel height while the vehicle is moving or you could lose control of the vehicle.

## BEFORE DRIVING

### Heated Rear Window Switch (if equipped)



67LH047

When the rear window is misted, push this switch (1) to clear the window.

An indicator light will be lit when the defogger is on. The defogger will work only when the engine is running. To turn off the defogger, push the switch again.

#### CAUTION

The heated rear window uses a large amount of electricity. Be sure to turn off after the window has become clear.

#### NOTE:

- The defogger will work only when the engine is running.
- The defogger will automatically turn off after the defogger remains on for 15 minutes to prevent discharging of the battery.



OPERATING YOUR VEHICLE

---

**OPERATING YOUR VEHICLE**

Exhaust Gas Warning ..... 3-1  
Daily Inspection Checklist ..... 3-1  
Engine Oil Consumption ..... 3-2  
Ignition Switch ..... 3-3  
Parking Brake Lever ..... 3-5  
Pedal ..... 3-6  
Starting the Engine ..... 3-6  
Using the Transmission ..... 3-7  
Braking ..... 3-8

## OPERATING YOUR VEHICLE

### Exhaust Gas Warning



#### **▲ WARNING**

Avoid breathing exhaust gases. Exhaust gases contain carbon monoxide, a potentially lethal gas that is colorless and odorless. Since carbon monoxide is difficult to detect by itself, be sure to take the following precautions to help prevent carbon monoxide from entering your vehicle.

- Do not leave the engine running in garages or other confined areas.

(Continued)

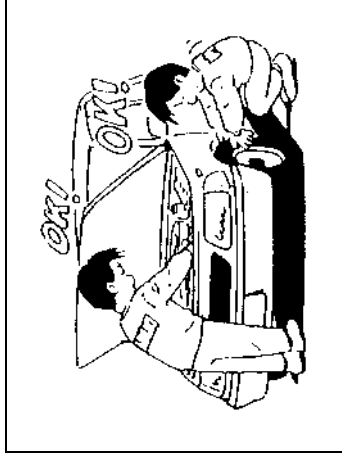
#### **▲ WARNING**

(Continued)

- Do not park with the engine running for a long period of time, even in an open area. If it is necessary to sit for a short time in a parked vehicle with the engine running, make sure the air intake selector is set to "FRESH AIR" and the fan is at high speed.
- Avoid operating the vehicle with the tailgate or trunk open. If it is necessary to operate the vehicle with the tailgate or trunk open, make sure the sunroof (if equipped) and all windows are closed, and the blower is at high speed with the air intake selector set to "FRESH AIR".
- To allow proper operation of your vehicle's ventilation system, keep the air inlet grille in front of the windshield clear of snow, leaves, or other obstructions at all times.
- Keep the exhaust tailpipe area clear of snow and other material to help reduce the buildup of exhaust gases under the vehicle. This is particularly important when parked in blizzard conditions.
- Have the exhaust system inspected periodically for damage and leaks. Any damage or leaks should be repaired immediately.

### Daily Inspection Checklist

#### Before Driving



- 1) Make sure that windows, mirrors, lights, and reflectors are clean and unobstructed.
- 2) Visually check the tires for the following points:
  - the depth of the tread groove
  - abnormal wear, cracks and damage
  - loose wheel nuts
  - existence of foreign material such as nails, stones, etc.
- 3) Look for fluid and oil leaks.

#### NOTE:

It is normal for water to drip from the air conditioning system after use.

## OPERATING YOUR VEHICLE

- 4) Make sure the hood is fully closed and latched.
- 5) Check the headlights, turn signal lights, brake lights and horn for proper operation.
- 6) Adjust the seat and adjustable head restraint (if equipped).
- 7) Check the brake pedal and the parking brake lever.
- 8) Adjust the mirrors.
- 9) Make sure that you and all passengers have properly fastened your seat belts.
- 10) Make sure that all warning lights come on as the key is turned to the "ON" position.
- 11) Check all gauges.
- 12) Make sure that the BRAKE SYSTEM WARNING light turns off when the parking brake is released.

latches, hinges & locks" of "CHASSIS AND BODY" in the "Periodic Maintenance Schedule" in the "INSPECTION AND MAINTENANCE" section for lubrication schedule.

### **▲ WARNING**

**Make sure the hood is fully closed and latched before driving. If it is not, it can fly up unexpectedly during driving, obstructing your view and resulting in an accident.**

Once a month, or each time you fill your fuel tank, check the tire pressure using a tire pressure gauge. Also check the tire pressure of the spare tire.

Once a week, or each time you fill your fuel tank, perform the following under-hood checks:

- 1) Engine oil level
  - 2) Coolant level
  - 3) Brake fluid level
  - 4) Windshield washer fluid level
  - 5) Battery solution level
  - 6) Hood latch operation
- Pull the hood release handle inside the vehicle. Make sure that you cannot open the hood all the way without releasing the secondary latch. Be sure to close the hood securely after checking for proper latch operation. See "All

## Engine Oil Consumption

It is normal for the engine to consume some engine oil during normal vehicle operation.

The amount of engine oil consumed depends on the viscosity of the oil, the quality of the oil and the conditions the vehicle is driven under.

More oil is consumed during high-speed driving and when there is frequent acceleration and deceleration. Under high loads, your engine also will consume more oil.

A new engine also consumes more oil, since its pistons, piston rings and cylinder walls have not yet become conditioned. New engines reach the normal level of oil consumption only after approximately 5000 km (3000 miles) driving.

When judging the amount of oil consumption, note that the oil may become diluted and make it difficult to accurately judge the true oil level.

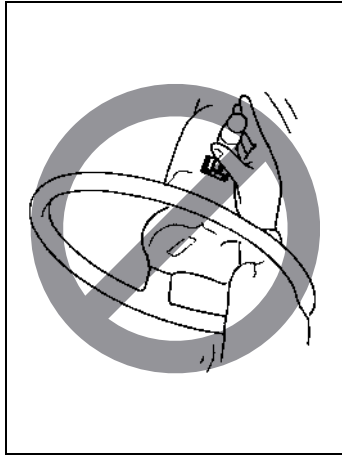
As an example, if a vehicle is used for repeated short trips, and consumes a normal amount of oil, the dipstick may not show any drop in the oil level at all, even after 1000 km (600 miles) or more of driving. This is because the oil is gradually becoming diluted with fuel or moisture, making it appear that the oil level has not changed.

You should also be aware that the diluting ingredients evaporate out when the vehicle

## OPERATING YOUR VEHICLE

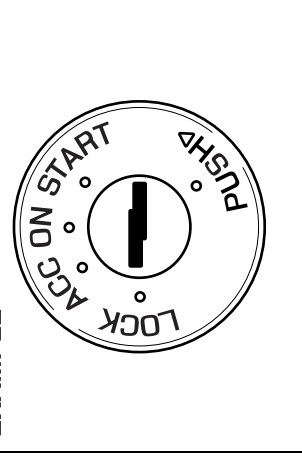
is subsequently driven at high speeds, such as on an expressway, making it appear that oil is excessively consumed after high-speed driving.

### Ignition Switch



65D611

### EXAMPLE



52KM052

The ignition switch has the following four positions:

### ▲ WARNING

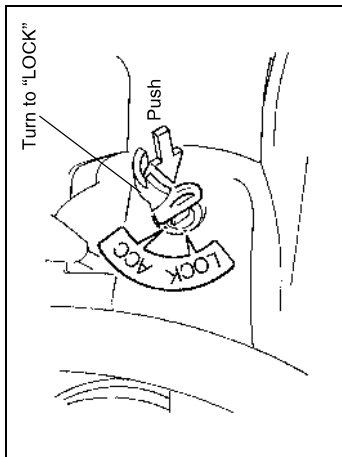
To avoid possible injury, do not operate controls by reaching through the steering wheel.

### LOCK

This is the normal parking position. It is the only position in which the key can be removed.

## OPERATING YOUR VEHICLE

### Manual transmission



60G033

- **Manual transmission vehicles**

You must push in the key to turn it to the "LOCK" position. It locks the ignition, and prevents normal use of the steering wheel after the key is removed.

To release the steering lock, insert the key and turn it clockwise to one of the other positions. If you have trouble turning the key to unlock the steering, try turning the steering wheel slightly to the right or left while turning the key.

### ACC

Accessories such as the radio can operate, but the engine is off.

### ON

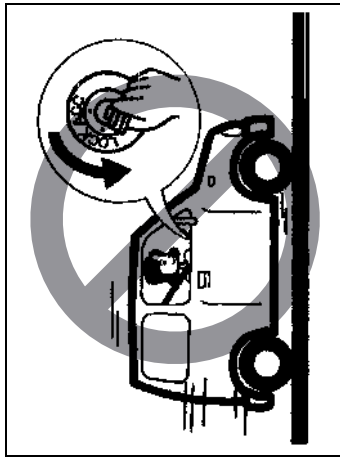
This is the normal operating position. All electrical systems are on.

### START

This is the position for starting the engine using the starter motor. The key should be released from this position as soon as the engine starts.

### Ignition key reminder (if equipped)

A buzzer sounds intermittently to remind you to remove the ignition key if it is in the ignition switch when the driver's door is opened.



81A297S

### ▲ WARNING

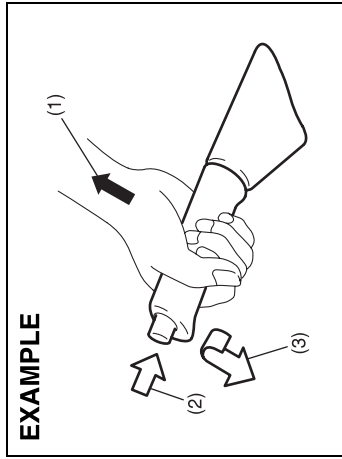
- Never remove the ignition key while the vehicle is moving. The steering wheel will lock and you will not be able to steer the vehicle.
- Always remove the ignition key when leaving the vehicle even if only for a short time. Also do not leave children alone in a parked vehicle. Unattended children could cause accidental movement of the vehicle or could tamper with power windows or power sunroof. They also could suffer from heat stroke in warm or hot weather. These could result in severe injury or even death.

### CAUTION

- Do not use the starter motor for more than 15 seconds at a time. If the engine does not start, wait 15 seconds before trying again. If the engine does not start after several attempts, check the fuel and ignition systems or consult your MARUTI SUZUKI dealer.
- Do not leave the ignition switch in the "ON" position if the engine is not running as the battery will discharge.

## OPERATING YOUR VEHICLE

### Parking Brake Lever



#### EXAMPLE

- (1) To set
- (2) To release
- (3) To release

The parking brake lever is located between the seats. To set the parking brake, hold the brake pedal down and pull the parking brake lever all the way up. To release the parking brake, hold the brake pedal down, pull up slightly on the parking brake lever, push the button on the end of the lever with your thumb, and lower the lever to its original position.

When preparing to drive the vehicle, move the gearshift lever out of the "P" position before releasing the parking brake.

#### ⚠ WARNING

- Never drive your vehicle with the parking brake on: rear brake effectiveness can be reduced from overheating, brake life may be shortened, or permanent brake damage may result.
- If the parking brake does not hold the vehicle securely or does not fully release, have your vehicle inspected immediately by an **MAR-UTI SUZUKI** Authorized workshop.

#### ⚠ WARNING

Always set the parking brake fully before leaving your vehicle or it may move, causing injury or damage. When parking, make sure the gearshift lever for manual transaxle vehicles is in 1st gear or "R" (Reverse) and the gearshift lever for automatic transmission vehicles is in "P" (Park). Remember, even though the transaxle is in gear or in Park, you must set the parking brake fully.

#### ⚠ WARNING

When parking the vehicle in extremely cold weather, the following procedure should be used:

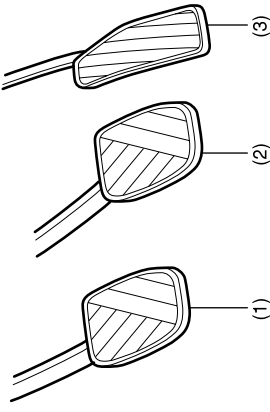
- 1) Set the parking brake.
  - 2) Manual transmission - turn off the engine, then shift into reverse or first gear.
  - 3) Get out of the vehicle and put chocks under the wheels.
  - 4) Release the parking brake.
- When you return to your vehicle, you must remember to first set the parking brake, then remove the wheel chocks.

## OPERATING YOUR VEHICLE

### Pedal

#### Manual transmission

##### EXAMPLE



63J182

#### Clutch Pedal (1)

The clutch pedal is used to disengage the drive to the wheels when starting the engine, stopping, or shifting the gearshift lever. Depressing the pedal disengages the clutch.

##### CAUTION

**Do not drive with your foot resting on the clutch pedal. It could result in excessive clutch wear, clutch damage, or unexpected loss of engine braking.**

#### Brake Pedal (2)

Your MARUTI SUZUKI vehicle is equipped with front disc brakes and rear drum brakes. Depressing the brake pedal applies both sets of brakes.

You may hear occasional brake squeal when you apply the brakes. This is a normal condition caused by environmental factors such as cold, wet, snow, etc.

##### ▲ WARNING

**If brake squeal is excessive and occurs each time the brakes are applied, you should have the brakes checked by your MARUTI SUZUKI Authorized workshop.**

##### ▲ WARNING

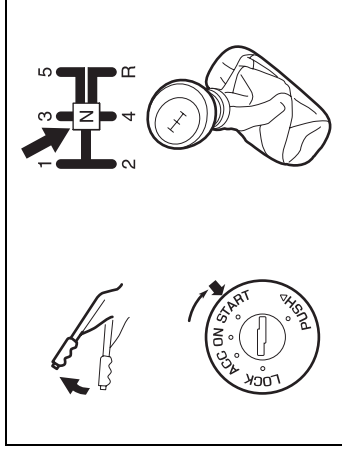
**Do not “ride” the brakes by applying them continuously or resting your foot on the pedal. This will result in overheating of the brakes which could cause unpredictable braking action, longer stopping distances, or permanent brake damage.**

#### Accelerator Pedal (3)

This pedal controls the speed of the engine. Depressing the accelerator pedal increases power output and speed.

### Starting the Engine

#### Before Starting the Engine



67LH048

- 1) Make sure the parking brake is set fully.
- 2) Manual transmission – Shift into “N” (Neutral) and depress the clutch pedal all the way to the floor. Hold the clutch pedal while starting the engine.

##### ▲ WARNING

**Make sure that the parking brake is set fully and the transmission is in Neutral before attempting to start the engine.**

## OPERATING YOUR VEHICLE

### Starting a Cold and Warm Engine

With your foot off the accelerator pedal, crank the engine by turning the ignition key to "START". Release the key when the engine starts.

#### CAUTION

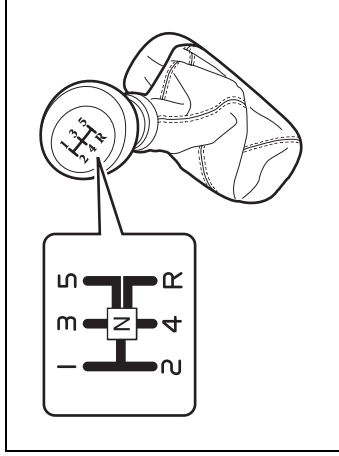
- Stop turning the starter immediately after the engine has started or the starter system can be damaged.
- Do not crank the engine for more than 15 seconds at a time. If the engine doesn't start on the first try, wait about 15 seconds before trying again.

If the engine does not start after 15 seconds of cranking, wait about 15 seconds, then press down the accelerator pedal to 1/3 of its travel and try cranking the engine again. Release the key and accelerator pedal when the engine starts.

If the engine still does not start, try holding the accelerator pedal all the way to the floor while cranking. This should clear the engine if it is flooded.

## Using the Transmission

### Manual transmission



### Starting off

To start off, depress the clutch pedal all the way to the floor and shift into 1st gear. After releasing the parking brake, gradually release the clutch. When you hear a change in the engine's sound, slowly press the accelerator while continuing to gradually release the clutch.

### Shifting

All forward gears are synchronized, which provides for quiet, and easy shifting. Always push in the clutch pedal fully before shifting gears.

### Upshifting maximum allowable speeds

Upshifting	Km/h (mph)
1st to 2nd	40 (25)
2nd to 3rd	75 (47)
3rd to 4th	115 (72)
4th to 5th	155 (97)*

### Downshifting maximum allowable speeds

To avoid shock loads on the driveline, the downshifting speed should not exceed the following.

Downshifting	Km/h (mph)
2nd to 1st	10 (6)
3rd to 2nd	37 (23)
4th to 3rd	55 (34)
5th to 4th	OK at all

#### \*NOTE:

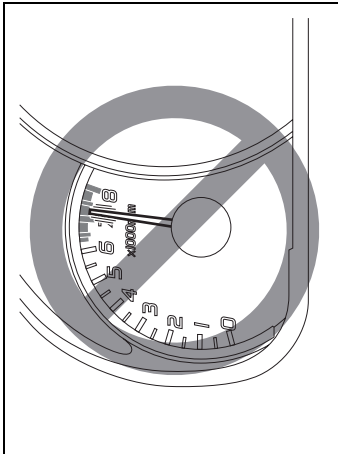
You may not accelerate to the maximum allowable speed because of the driving situation and/or the vehicle condition.



## OPERATING YOUR VEHICLE

### CAUTION

When downshifting to a lower gear, make sure not to operate with the speed faster than the maximum allowable speeds for the next lower gear, or severe engine damage can result.



Keep the engine speed so it does not get into the red zone of tachometer.

### WARNING

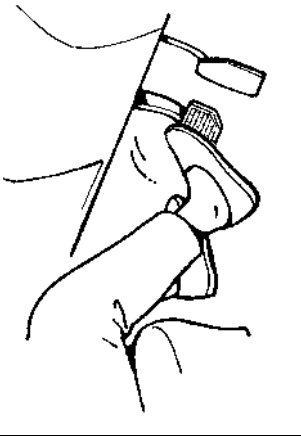
- Reduce your speed and downshift to a lower gear before going down a long or steep hill. A lower gear will allow the engine to provide braking. Avoid riding the brakes or they may overheat, resulting in brake failure.
- When driving on slippery roads, be sure to slow down before downshifting. Excessive and or sudden changes in engine speed may cause loss of traction, which could cause you to lose control.
- Make sure that the vehicle is completely stationary before you shift into reverse.

### CAUTION

- To help avoid clutch damage, do not use the clutch pedal as a footrest while driving or use the clutch to keep the vehicle stationary on a slope. Depress the clutch fully when shifting.
- When shifting or starting off, do not race the engine. Racing the engine can shorten engine life and affect smooth shifting.

## Braking

### EXAMPLE



The distance needed to bring any vehicle to a halt increases with the speed of the vehicle. The braking distance needed, for example, at 60 km/h (37 mph) will be approximately 4 times greater than the braking distance needed at 30 km/h (19 mph). Start to brake the vehicle when there is plenty of distance between your vehicle and the stopping point, and slow down gradually.

## OPERATING YOUR VEHICLE

### **▲ WARNING**

If water gets into the brake drums, brake performance may become poor and unpredictable.

After driving through water or washing the underside of the vehicle, test the brakes while driving at a slow speed to see if they have maintained their normal effectiveness. If the brakes are less effective than normal, dry them by repeatedly applying the brakes while driving slowly until the brakes have regained their normal effectiveness.

### **▲ WARNING**

Even without reserve power in the brake system, you can still stop the vehicle by pressing the brake pedal harder than normally required. However, the stopping distance may be longer.

### **Anti-Lock Brake System (ABS) (if equipped)**

ABS will help you avoid skidding by electronically controlling braking pressure. It will also help you maintain steering control when braking on slippery surfaces or when braking hard.

The ABS works automatically, so you do not need any special braking technique. Just push the brake pedal down without pumping. The ABS will operate whenever it senses that the wheels are locking up. You may feel the brake pedal moves a little while the ABS is operating.

#### **NOTE:**

*The ABS will not work if vehicle speed is under about 10 km/h (6 mph).*

### **Power-Assisted Brakes**

Your vehicle has power-assisted brakes. If power assistance is lost due to a stalled engine or other failures, the system is still fully operational on reserve power and you can bring the vehicle to a complete stop by pressing the brake pedal once and holding it down. The reserve power is partly used up when you depress the brake pedal and reduces each time the pedal is pressed. Apply smooth and even pressure to the pedal. Do not pump the pedal.

## OPERATING YOUR VEHICLE

### ▲ WARNING

- On some types of loose surfaces (such as gravel, snow-covered roads, etc.) the stopping distance required for an ABS-equipped vehicle may be slightly greater than for a comparable vehicle with a conventional brake system. With a conventional brake system, skidding tires are able to “plow” the gravel or snow layer, shortening the stopping distance, ABS minimizes this resistance effect. Allow for extra stopping distance when driving on loose surfaces.
- On regular paved roads, some drivers may be able to obtain slightly shorter stopping distances with conventional brake systems than with ABS.
- In both of the above conditions, ABS will still offer the advantage of helping you maintain directional control. However, remember that ABS will not compensate for bad road or weather conditions or poor driver judgment. Use good judgment and do not drive faster than conditions will safely allow.



(1)



(2)

52KM059

- (1) ABS warning light
- (2) Brake system warning light

### ▲ WARNING

- If the ABS warning light (1) on the instrument panel comes on and stays on while driving, there may be a problem with the ABS system. Ask your MARUTI SUZUKI dealer to inspect the ABS system immediately. If the ABS system becomes inoperative, the brake system will function as an ordinary brake system that has no ABS.

(Continued)

### ▲ WARNING

(Continued)

- If the ABS warning light (1) and the Brake system warning light (2) on the instrument panel simultaneously stay on or come on when driving, both anti-lock function and rear brake force control function (proportioning valve function) of the ABS system may have failed. If so, the rear wheels may easily skid or the vehicle can even spin in the worst case when braking on a slippery road or when hard braking even on a dry paved road. Ask your MARUTI SUZUKI dealer to inspect the ABS system immediately. Drive carefully, avoiding hard braking as much as possible.

## OPERATING YOUR VEHICLE

### How the ABS Works

A computer continuously monitors wheel speed. The computer compares the changes in wheel speed when braking. If the wheels slow suddenly, indicating a skidding situation, the computer will change braking pressure several times each second to prevent the wheels from locking. When you start your vehicle after a stop you may hear a momentary motor noise as the system checks itself.

#### WARNING

The ABS may not work properly if tires or wheels other than those specified in the owner's manual are used. This is because the ABS works by comparing changes in wheel speed. When replacing tires or wheels, use only the size and type specified in this owner's manual.

**DRIVING TIPS**

---

**DRIVING TIPS**

Running-in ..... 4-1  
Catalytic Converter ..... 4-1  
Improving Fuel Economy ..... 4-2  
High-speed Driving ..... 4-3  
Driving on Hills ..... 4-3  
Driving on Slippery Roads ..... 4-3  
Driving on Wet Roads ..... 4-4  
Do's and Don'ts for Safe Driving ..... 4-5  
Margin for Safety ..... 4-7  
Trailer Towing..... 4-8



## DRIVING TIPS



52D078S

### **▲ WARNING**

- **Wear Your Seat Belts at All Times.** Even though air bags are equipped at the front seating positions, the driver and all passengers should be properly restrained at all times, using the seat belts provided. Refer to the "Seat Belts and Child Restraint Systems" section for instructions on proper use of the seat belts.
- **Never drive while under the influence of alcohol or other drugs.** Alcohol and drugs can seriously impair your ability to drive safely, greatly increasing the risk of injury to yourself and others. You should also avoid driving when you are tired, sick, irritated, or under stress.

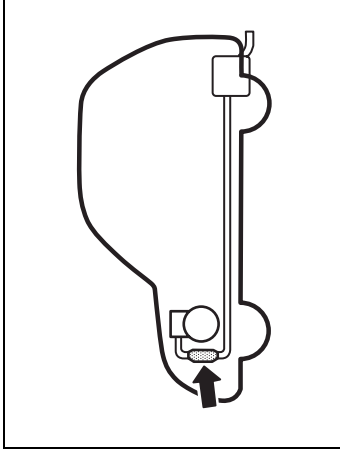
## Running-in

### CAUTION

The future performance and reliability of the engine depends on the care and restraint exercised during its early life. It is especially important to observe the following precautions during the initial 960 km (600 miles) of vehicle operation.

- After starting, do not race the engine. Warm it up gradually.
- Avoid prolonged vehicle operation at a constant speed. Moving parts will break in better if you vary your speed.
- Start off from a stop slowly. Avoid full throttle starts.
- Avoid hard braking, especially during the first 320 km (200 miles) of driving.
- Do not drive slowly with the transaxle in a high gear.
- Drive the vehicle at moderate engine speeds.
- Do not tow a trailer during the first 960 km (600 miles) of vehicle operation.

## Catalytic Converter



80G106

The purpose of the catalytic converter is to minimize the amount of harmful pollutants in your vehicle's exhaust. Use of leaded fuel in vehicles equipped with catalytic converters is prohibited, because lead deactivates the pollutant-reducing components of the catalyst system.

The converter is very important to keep the engine properly tuned and use right specification of fuel. Engine misfiring, which can result from an improperly tuned engine, may cause overheating of the catalyst. This may result in permanent heat damage to the catalyst and other vehicle components.

## DRIVING TIPS

### Improving Fuel Economy

The following instructions will help you improve fuel economy.

#### Avoid excessive idling

If you are to wait for more than a minute while you are parked, stop the engine and start it again later. When warming up a cold engine, do not allow the engine to idle or apply full throttle until the engine has reached operating temperature. Allow the engine to warm up by driving.

#### Avoid "fast" starts

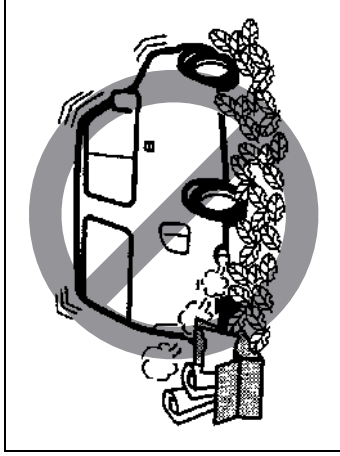
Fast starts away from lights or stop signs will consume fuel unnecessarily and shorten engine life. Start off slowly.

#### Avoid unnecessary stops

Avoid unnecessary deceleration and stopping. Try to maintain a slow, steady speed whenever possible. Slowing down and then accelerating again uses more fuel.

#### Keep a steady cruising speed

Keep as constant a speed as road and traffic conditions will permit.



54G584S

### ▲ WARNING

Be careful where you park and drive; the catalytic converter and other exhaust components can get very hot. As with any vehicle, do not park or operate this vehicle in areas where combustible materials such as dry grass or leaves can come in contact with a hot exhaust system.

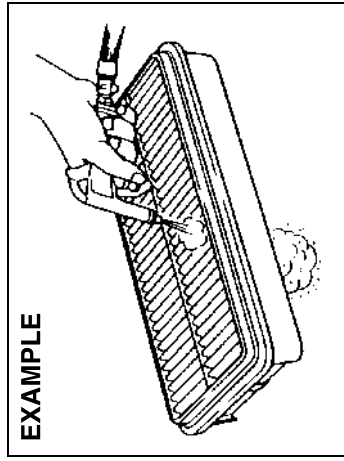
### CAUTION

To minimize the possibility of catalyst or other vehicle damage:

- Maintain the engine in the proper operating condition.
- In the event of an engine malfunction, particularly one involving engine misfire or other apparent loss of performance, have the vehicle serviced promptly.
- Do not turn off the engine or interrupt the ignition when the transaxle is in gear and the vehicle is in motion.
- Do not try to start the engine by pushing or towing the vehicle, or coasting down a hill.
- Do not idle the engine with any spark plug wires disconnected or removed, such as during diagnostic testing.
- Do not idle the vehicle for prolonged periods if idling seems rough or there are other malfunctions.
- Do not allow the fuel tank to get near the empty level.

## DRIVING TIPS

Keep the air cleaner clean



## HIGH-SPEED DRIVING

When driving at a high-speed, pay attention to the following:

- Stopping distance progressively increases with vehicle speed. Apply the brakes far enough ahead of the stopping point to allow for the extra stopping distance.
- On rainy days, "Aquaplaning" can occur. "Aquaplaning" is the loss of direct contact between the road surface and the vehicle's tyres due to a water film forming between them. Steering or braking the vehicle while "Aquaplaning" can be very difficult, and loss of control can occur. Keep speed down when the road surface is wet.
- At high speeds, the vehicle may be affected by side winds. Therefore, reduce speed and be prepared for unexpected buffeting, which can occur at the exits of tunnels, when passing by a cut of a hill, or when being overtaken by large vehicles, etc.

## DRIVING ON HILLS

- When climbing steep hills, the vehicle may begin to slow down and show a lack of power. If this happens, you should change to a lower gear so that the engine will again be operating in its normal power range. Change rapidly to prevent the vehicle from losing momentum.
- When driving down a hill, the engine should be used for braking by shifting to

next lower gear (Do this with EITHER an automatic or manual transmission.

## ⚠ WARNING

Try not to hold the brake pedal down too long or too often while going down a steep or long hill. This could cause the brakes to overheat, resulting in reduced braking efficiency. Failure to take this precaution could result in loss of vehicle control.

## CAUTION

When descending a down hill, NEVER turn the ignition key to the "OFF" position. Emission control system and automatic transmission (if equipped) damage may result.

## DRIVING ON SLIPPERY ROADS

Under wet road conditions you should drive at a lower speed than on dry roads due to possible slippage of tyres during braking. When driving on icy, snowcovered, or muddy roads, reduce your speed and avoid sudden acceleration, abrupt braking, or sharp steering movements.



## DRIVING TIPS

**Snow Chains**  
If you must use snow chains to increase tyre traction, observe the following precautions:

- Use cable type chains.
- Choose a safe place away from traffic to install the chains.
- When installing the chains carefully follow the manufacturer's instructions.
- Install the chains on the front tyres.
- With the chains on, drive only at slow and moderate speeds.
- If the chain hits the vehicle body while driving, stop at a safe place and retighten it as soon as possible.
- If snow and/or ice on the road disappear, remove the chains as soon as possible.

• **If Your Vehicle Gets Stuck**

If your vehicle gets stuck in snow, mud, or sand, follow the directions below:

- 1) Change back and forth between a forward range (or first gear for manual transmission) and reverse. This will create a rocking motion which may give you enough momentum to free the vehicle. Press gently on the accelerator to keep wheel spin to a minimum. Remove your foot from the accelerator while changing gear. Do not race the engine. Excessive wheel spin will cause the tyres to dig deeper, making it more difficult to free the vehicle.

- 2) If your vehicle remains stuck after a few minutes of rocking, get another vehicle to pull you out.

**▲ WARNING**

Do not allow anyone to stand near the vehicle when you are rocking it, and do not spin the wheels faster than an indicated 40 km/h (25 mph) on the speedometer. Personal injury and/or vehicle damage may result from spinning the wheels too fast.

**CAUTION**

Do not continue rocking the vehicle for more than a few minutes. Prolonged rocking can cause engine overheating or transmission damage.

**DRIVING ON WET ROADS**

**CAUTION**

- When driving on wet roads, avoid driving through large amount of standing water on the road. Large amount of water entering the engine compartment may cause damage to the engine and or electrical components.
- If stuck in deep water, do not start till water level drops.
- Water is incompressible substance, water inside engine is harmful to the engine.

**▲ WARNING**

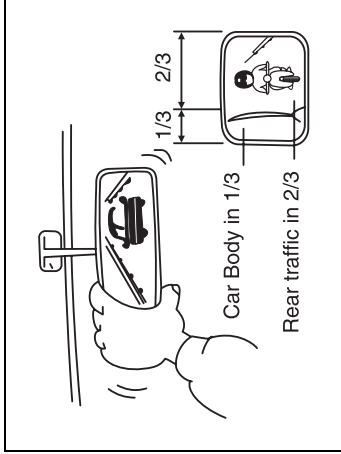
- Make sure your tyres are in good condition and always maintain the specified tyre pressure. Refer to "TYRES" in the "INSPECTION AND MAINTENANCE" section for details.
- Do not use tyres other than those specified by MARUTI SUZUKI. Never use different sizes or types of tyres on the front and rear wheels. For information regarding the specified tyres, refer to the "SPECIFICATIONS" section.
- Never use oversized tyres or special shock absorbers and springs to raise (jack up) your vehicle. This will change the handling characteristics.
- After driving through water, test the brakes while driving at a slow speed to see if they have maintained their normal effectiveness. If the brakes are less effective than normal, dry them by repeatedly applying the brakes while driving slowly until the brakes have regained their normal effectiveness.

## DRIVING TIPS

### DO'S AND DON'TS FOR SAFE DRIVING

Exercise care in handling your vehicle. Be conscious of not only your own safety but also the safety of others on the road, and thus enjoy the best and most comfortable driving experience.

This section contains basic rules for safe driving. Read it carefully for good understanding of the content so that you can enjoy safe and pleasant driving in your Maruti Suzuki vehicle.

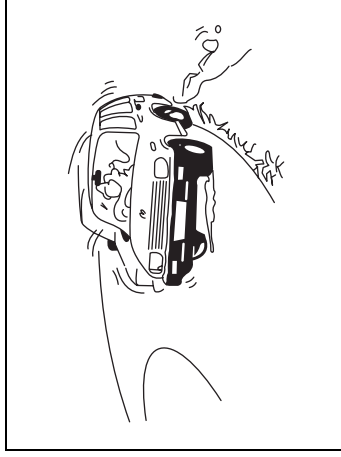


#### Starting

- 1) Adjust the driver's seat for the proper driving posture.
- 2) Adjust the rear view mirror so as to obtain the best possible rear view.
- 3) Before moving off, look forward and back to confirm safety.
- 4) Don't start quickly, for it is dangerous and wastes fuel.

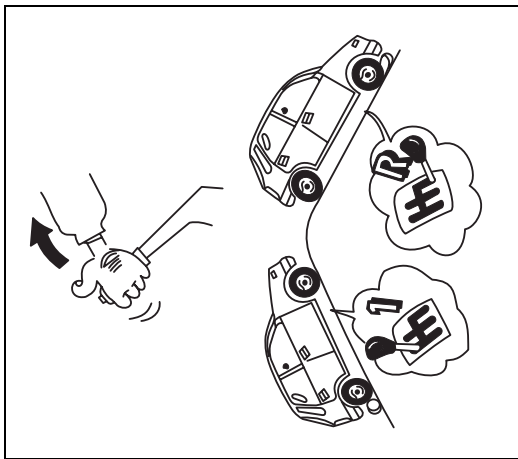
#### General driving

- 1) Be sure to stop before the stop light and stop sign. When moving into the intersection without any traffic lights or signs, drive slowly to confirm safety.



- 2) Always follow other vehicles at a safe distance in order to prevent a rear-end collision, should the vehicle ahead make a sudden stop.
- 3) Turn ON the turn signal at least 30 meters before making a turn or changing the lane so as not to be hit from behind.
- 4) Before entering a corner, decelerate to a safe speed. Don't apply brakes during cornering, or a cornering skid may occur.
- 5) When overtaking other vehicles, watch out for the oncoming vehicle and carefully confirm the safety.
- 6) Don't attempt zigzag driving which will hinder your control over the vehicle and cause an accident..

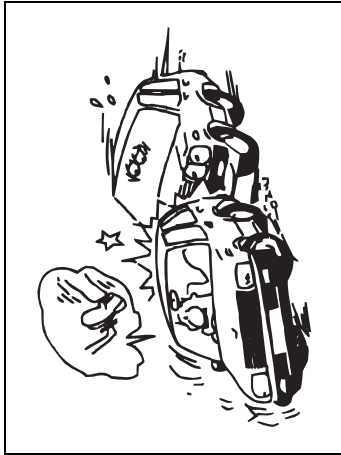
## DRIVING TIPS



72F-08-011

### Braking

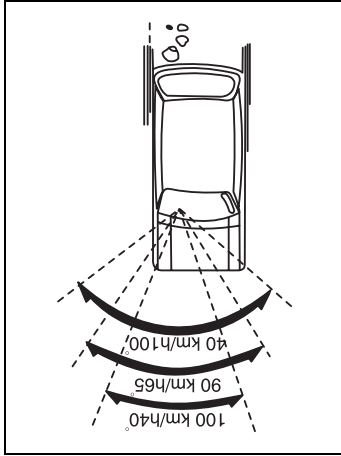
- 1) Use the parking brake when parking your vehicle and shift the gear shift lever into the first gear or reverse gear position for the sake of safety.
- 2) Don't use handbraking unless unavoidable. It causes the vehicle to skid and a rear-end collision occur. It is especially dangerous when the tyres are worn, for they allow a larger skid.



72F-08-012

Use foot brake in three stages

- (1) Warn the vehicle behind you
  - (2) Gradually apply the brake.
  - (3) Bring the vehicle to a halt.
- 3) When driving on a downhill, try not to apply the brake but use the engine brake effectively. Overuse of the foot-brake may result in total brake failure.
  - 4) Avoid reckless high speed driving and try to drive at a safe speed suitable for the road conditions while maintaining a constant speed.



72F-08-015

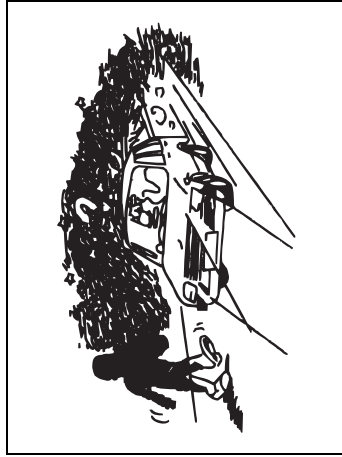
5) The higher the speed, the narrower the driver's visual range becomes. In such a state, it is difficult to anticipate any hazard and the driver feels much fatigued.

- 6) Never do sharp handling during high speed driving. You will lose your control over your vehicle.
- 7) When overtaking or changing the lane while driving at a high speed, keep an ample vehicle-to-vehicle distance.

### Long distance driving

- 1) Be sure to perform safety checks before starting a trip.
- 2) Take rest at certain intervals to prevent an accident which may occur when you are sleepy or tired.

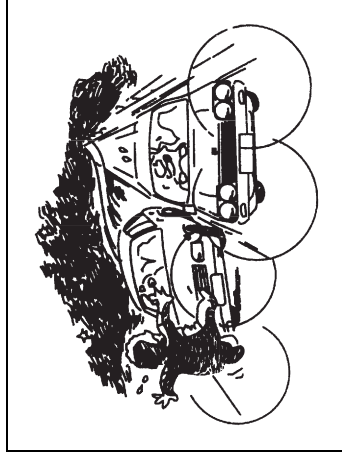
## DRIVING TIPS



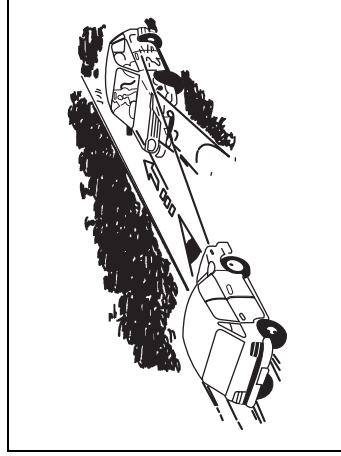
72F-08-020

### Night time driving

- 1) Drive more slowly at night than in the daytime, for the visual range is restricted at night.
- 2) Don't overtake other vehicles at night. Darkness bothers your sense of speed and hinders your judgement on the vehicle-to-vehicle distance.
- 3) Don't use the high headlight beam unless its use is inevitable. Its dazzle may blitz the driver of the oncoming vehicle, thus causing an accident.
- 4) Always keep the window glasses clean. Don't operate the windshield wiper when the windshield glass is dry or the wiper blade and glass may get damaged.



72F-08-021



72F-08-022

### Margin For Safety

It is important to allow yourself a margin for safety during driving so that you can cope with erroneous or unexpected driving of other drivers. For that, observe the following.

- Drive at a safe speed.
- Maintain a sufficient distance between your vehicle and the vehicle ahead.
- Don't force yourself to overtake other vehicles.
- Don't make quick start, hard steering or sudden stops.
- Allow an ample time in the driving schedule.
- Observe traffic rules and regulations.

### Conclusion

A perfect driver does not exist. The endeavor of every motorist should be to strive for perfection. Safety consciousness not only ensures your safety and the safety of other road users, it also helps reduce the wear and tear on your vehicle, prolongs its life, gives more mileage and ensures a comfortable driving experience.

**Follow the do's and don'ts listed, and driving will never be the same again.**

DRIVING TIPS

---

**Trailer Towing**

Your MARUTI SUZUKI was originally designed to carry people and a normal amount of cargo, not to tow a trailer. MARUTI SUZUKI does not recommend you use your vehicle to tow a trailer. Towing a trailer can adversely affect handling, durability, and fuel economy.



OTHER CONTROLS AND EQUIPMENT

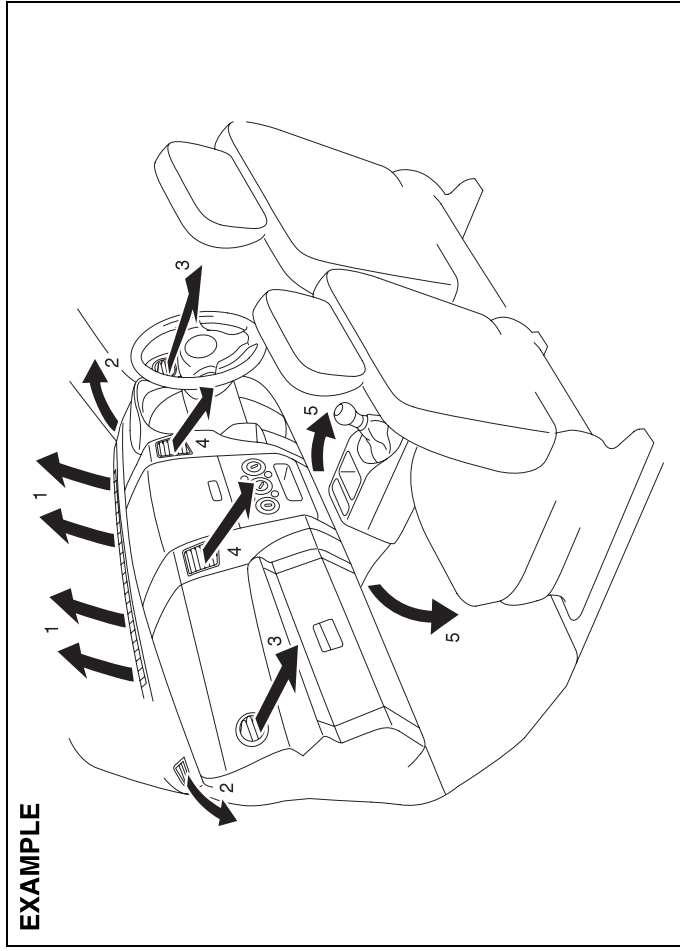
OTHER CONTROLS AND EQUIPMENT

Manual Heating and Air Conditioning System ..... 5-1  
Radio Antenna ..... 5-5  
Fuel Filler Cap ..... 5-6  
Engine Hood ..... 5-7  
Sun Visor ..... 5-8  
Interior Light Switch ..... 5-9  
Accessory Socket (if equipped) ..... 5-10  
Assist Grips (if equipped) ..... 5-10  
Glove Box ..... 5-11  
Cup Holder (if equipped) ..... 5-11  
Underseat Container (if equipped) ..... 5-12  
Front Seat Back Pocket (if equipped) ..... 5-13  
Shopping Hook (if equipped) ..... 5-13  
Luggage Area Cover (if equipped) ..... 5-13  
Roof Rails (if equipped) ..... 5-14  
Frame Hooks ..... 5-15

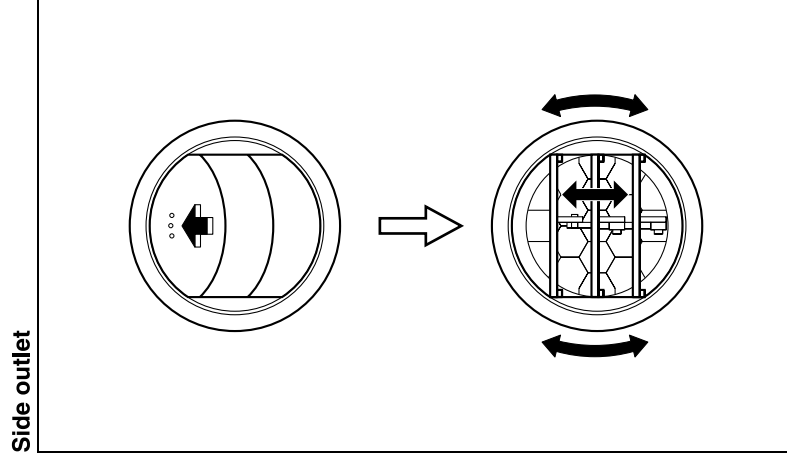
5

## OTHER CONTROLS AND EQUIPMENT

### Manual Heating and Air Conditioning System



1. Windshield defroster outlet
2. Side defroster outlet
3. Side outlet
4. Center outlet
5. Front floor outlet

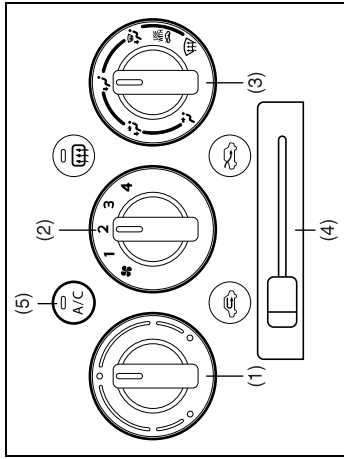


When "Open", air comes out regardless of the air flow selector position.



## OTHER CONTROLS AND EQUIPMENT

### Description of Controls



68KH043

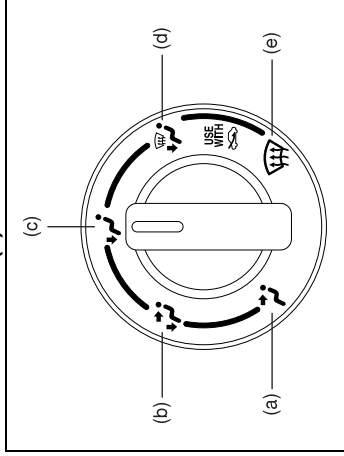
#### Temperature selector (1)

This is used to select the temperature by turning the selector.

#### Blower speed selector (2)

This is used to turn on the blower and to select blower speed by turning the selector.

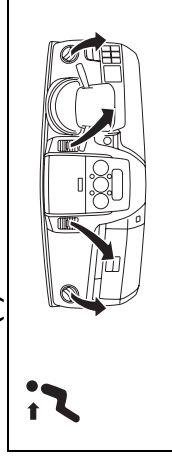
### Air flow selector (3)



68KH044

This is used to select one of the functions described below.

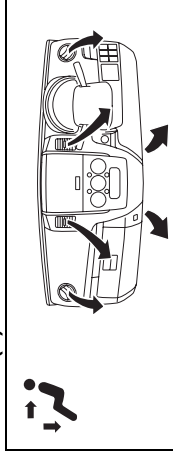
#### Ventilation (a)



67LH053

Temperature-controlled air comes out of the center and side air outlets.

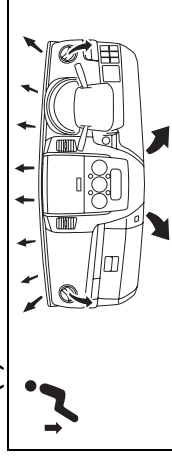
### Bi-level (b)



67LH054

Temperature-controlled air comes out of the floor outlets and cooler air comes out of the center and side outlets. When the temperature selector (1) is in the fully COLD position or fully HOT position, however, the air from the floor outlets and the air from the center and side outlets will be the same temperature.

### Foot (c)

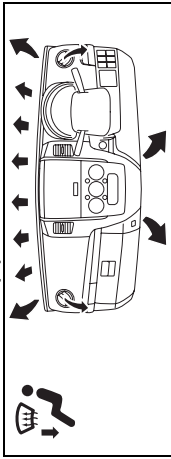


67LH055

Temperature-controlled air comes out of the floor outlets and the side outlets, also comes out of the windshield defroster outlets and also comes slightly out of the side defroster outlets.

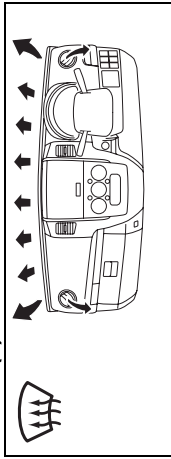
## OTHER CONTROLS AND EQUIPMENT

### Foot & defrost (d)



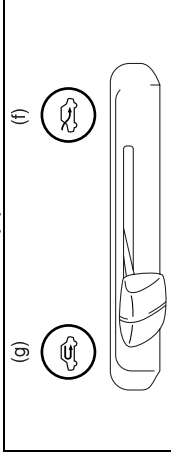
Temperature-controlled air comes out of the floor outlets, the windshield defroster outlets, the side defroster outlets and the side outlets.

### Defrost (e)



Temperature-controlled air comes out of the windshield defroster outlets, the side defroster outlets and the side outlets.

### Air intake selector (4)



This selector is used to select the following modes.

#### Fresh Air (f)

When this mode is selected by moving the lever to right, outside air is used.

#### Recirculated Air (g)

When this mode is selected by moving the lever to left, outside air is shut out and inside air is recirculated. This mode is suitable when driving through dusty or polluted air such as in a tunnel, or when attempting to quickly cool down the interior.

#### NOTE:

*If you select "RECIRCULATED AIR" for an extended period of time, the air in the vehicle can become contaminated. Therefore, you should occasionally select "FRESH AIR".*

### Air conditioning switch (5)

To turn on the air conditioning system, push in the "A/C" switch and set the blower speed selector to a position other than "OFF". With this "A/C" switch operation, a indicator light will come on when the air-conditioning system is on. To turn off the air conditioning system, push the "A/C" switch again.

During operation of the air conditioner, you may notice slight changes in engine speed. These changes are normal, the system is designed so that the compressor turns on or off to maintain the desired temperature.

Less operation of the compressor results in better fuel economy.

## OTHER CONTROLS AND EQUIPMENT

### System Operating Instructions

#### Natural ventilation

Select "VENTILATION" and "FRESH AIR", the temperature selector to the desired temperature position, and the blower speed selector to "OFF". Fresh air will flow through the vehicle during driving.

#### Forced ventilation

The control settings are the same as for natural ventilation except you set the blower speed selector to a position other than "OFF".

#### Normal heating (using outside air)

Select "HEAT" and "FRESH AIR", the temperature selector to the desired temperature position and the blower speed selector to the desired blower speed position. Setting the blower speed selector to a higher blower speed position increases heating efficiency.

#### Quick heating (using recirculated air)

The control settings are the same as for normal heating except you select "RECIRCULATED AIR". If you use this heating method for an extended period of time, the air in the vehicle can become contaminated and the windows can become misty. Therefore, use this method only for quick heating and change to the normal heating method as soon as possible.

#### Head cooled/Feet warmed heating

Select "BI-LEVEL" and "FRESH AIR", the temperature selector to the desired temperature position, and the blower speed selector to the desired blower speed position. Unless the temperature selector is in the fully COLD position or fully HOT position, the air that comes out of the center and side outlets will be cooler than the air that comes out of the floor outlets.

#### Normal cooling

Turn on the "A/C" switch, set the air flow selector to "VENTILATION", the temperature selector to the desired temperature position and the blower speed selector to the desired blower speed position. Setting the blower speed selector to a higher blower speed position increases cooling efficiency.

You can switch the air intake selector to either "FRESH AIR" or "RECIRCULATED AIR" as you desire. Choosing "RECIRCULATED AIR" increases cooling efficiency.

#### Quick cooling (using recirculated air)

The control settings are the same as for normal cooling except you select "RECIRCULATED AIR" and the highest blower speed.

#### NOTE:

- To turn on the air conditioning system, push in the "A/C" switch and set the blower speed selector to a position other than "OFF". With this "A/C" switch opera-

tion, an indicator light will come on when the air conditioning system is on. To turn off the air conditioning system, push the "A/C" switch again.

- During operation of the air conditioner, you may notice slight changes in engine speed. These changes are normal; the system is designed so that the compressor turns on or off to maintain the desired temperature. Less operation of the compressor results in better fuel economy.

#### NOTE:

- If you select "RECIRCULATED AIR" for an extended period of time, the air in the vehicle can become contaminated. Therefore, you should occasionally select "FRESH AIR".
- If your vehicle has been left in the sun with the windows closed, it will cool faster if you open the windows briefly while you operate the air conditioner with the air intake selector at "FRESH AIR" and the blower at high speed.

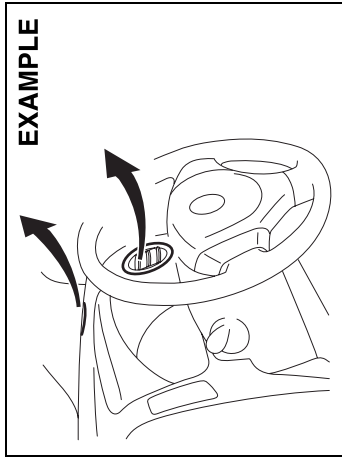
#### Dehumidifying

Turn on the "A/C" switch, set the air flow selector to the desired air flow selector position, and select "FRESH AIR", the temperature selector to the desired temperature position, and the blower speed selector to the desired blower speed position.

## OTHER CONTROLS AND EQUIPMENT

### NOTE:

Because the air conditioner dehumidifies the air, turning it on will help keep the windows clear, even when blowing heated air using the "DEFROST" or "HEAT & DEFROST" functions.



### NOTE:

- If you need maximum defrosting:
- set the air flow selector to "DEFROST",
  - set the blower speed selector to HIGH,
  - adjust the temperature selector to the HOT end, and
  - adjust the side outlets so the air blows on the side windows.

### Maintenance

If you do not use the air conditioner for a long period, such as during winter, it may not give the best performance when you start using it again. To help maintain optimum performance and durability of your air conditioner, it needs to be run periodically. Operate the air conditioner at least once a month for one minute with the engine idling. This circulates the refrigerant and oil and helps protect the internal components.

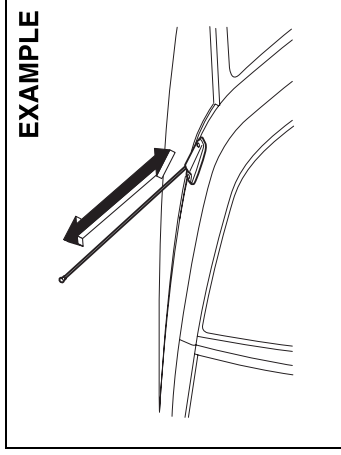
### NOTE:

Your vehicle uses the air conditioning refrigerant HFC-134a, commonly called "R-134a". R-134a replaced R-12 around 1993 for automotive applications. Other refrigerants are available, including recycled R-12, but only R-134a should be used in your vehicle.

### CAUTION

Using the wrong refrigerant may damage your air conditioning system. Use R-134a only. Do not mix or replace the R-134a with other refrigerants.

### Radio Antenna



The radio antenna can be pulled in or pulled out.

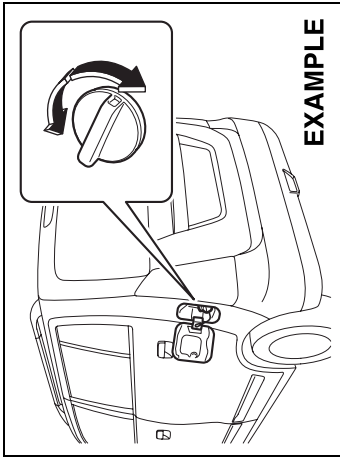
### CAUTION

To avoid damage to the radio antenna, pull in the antenna in below cases.

- Using an automatic car wash.
- The antenna hits anything such as a low ceiling in a parking garage.
- Putting a car cover over your car.

**OTHER CONTROLS AND EQUIPMENT**

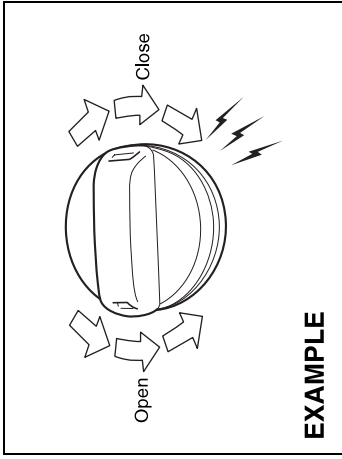
**Fuel Filler Cap**



**EXAMPLE**

67LH059

located on the outboard side of the driver's seat and locked by simply closing the door.



**EXAMPLE**

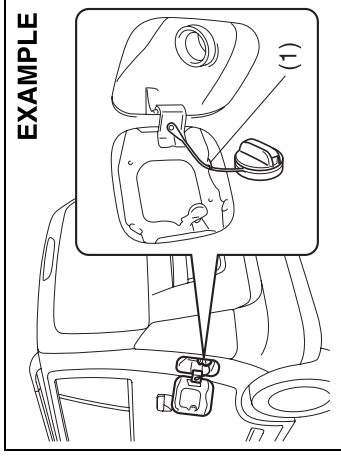
68KN048

To remove the fuel filler cap:

- 1) Open the fuel filler door.
- 2) Remove the cap by turning it counter-clockwise.

**⚠ WARNING**

**Remove the fuel filler cap slowly. The fuel may be under pressure and may spray out, causing injury.**



**EXAMPLE**

67LH097

**NOTE:**

*If the cap holder (1) is equipped with the fuel filler door, hold the fuel filler cap when refueling.*

To reinstall the fuel filler cap:

- 1) Turn the cap clockwise until you hear several clicks.
- 2) Close the fuel filler door.

**⚠ WARNING**

**Fuel is extremely flammable. Do not smoke when refueling, and make sure there are no open flames or sparks in the area.**

67LH060

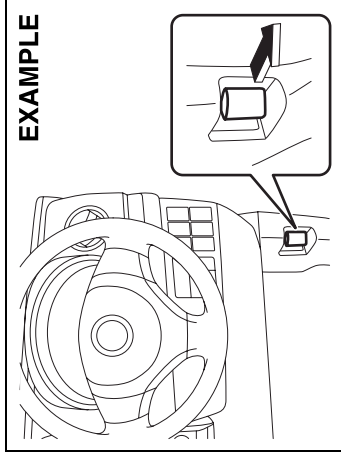
The fuel filler cap is located on the left rear side of the vehicle. The fuel filler door can be unlocked by pulling up the opener lever

## OTHER CONTROLS AND EQUIPMENT

### **▲ WARNING**

If you need to replace the fuel cap, use a MARUTI genuine cap. Use of an improper cap can result in a malfunction of the fuel system or emission control system. It may also result in fuel leakage in the event of an accident.

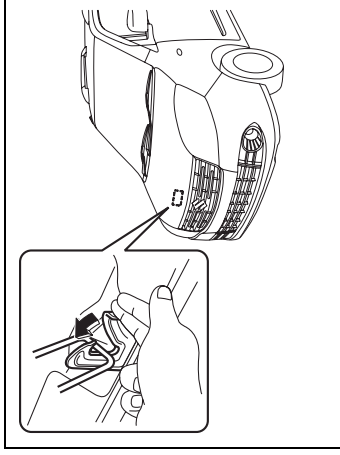
### Engine Hood



67LH061

To open the engine hood:

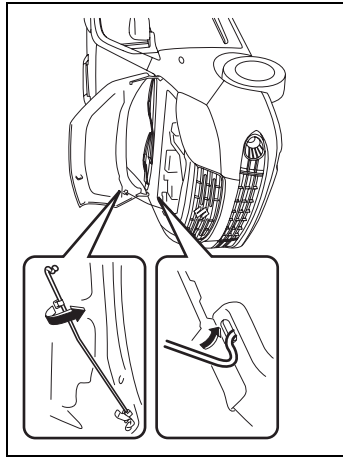
- 1) Pull the hood release handle located on the outboard side of the driver's side. This will disengage the engine hood lock halfway.



67LH062

- 2) Push the under-hood release lever up with your finger, as shown in the illustration. While pushing the lever, lift up the engine hood.

## OTHER CONTROLS AND EQUIPMENT



67LH063

- 3) Continue to lift up the hood until it is high enough to support with the prop rod.

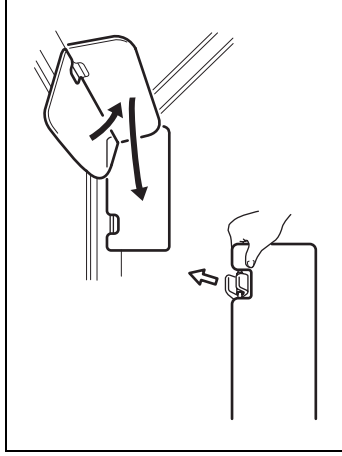
To close the engine hood:

- 1) Lift the hood up slightly and remove the prop rod from the hole. Put the prop rod back to the holding clip.
- 2) Lower the hood close to the bumper, then let it drop down.  
Make sure the hood is securely latched after closing.

### **▲ WARNING**

**Make sure the hood is fully closed and latched before driving. If it is not, it can fly up unexpectedly during driving, obstructing your view and resulting in an accident.**

## Sun Visor



79J161

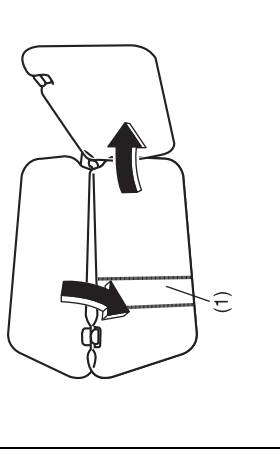
The sun visors can be pulled down to block glare coming through the windshield, or they can be unhooked and turned to the side to block glare coming through the side window.

### **CAUTION**

**When unhooking and hooking a sun visor, be sure to handle it by the hard plastic parts or the sun visor can be damaged.**

## Card holder (if equipped)

### **EXAMPLE**



67LH064

- (1) Card holder

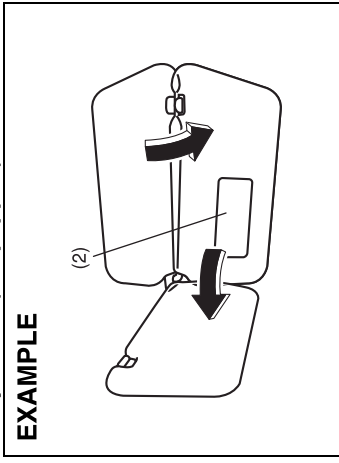
You can put a card in the card holder (1) on the back of the sun visor.

### **CAUTION**

**When you park your vehicle outdoors in direct sunlight or in hot weather, do not leave plastic cards in the holder. The heat may distort them.**

## OTHER CONTROLS AND EQUIPMENT

Vanity mirror (if equipped)



(2) Vanity mirror

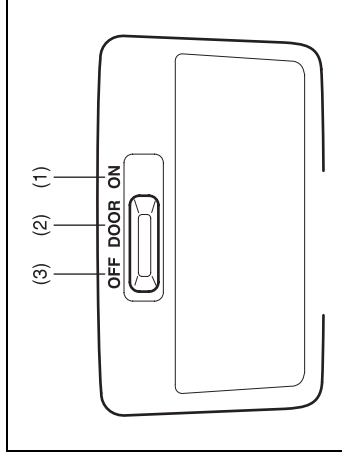
There is a vanity mirror (2) on the back of the sun visor.

### **⚠ WARNING**

- Do not use the mirror while driving your vehicle or could lose control of the vehicle.
- When using the vanity mirror, do not move too close to a front air bag location or lean against it. If the front air bag is accidentally inflated, it could hit you hard.

## Interior Light Switch

Front



This light switch has three positions which function as described below:

### **ON(1)**

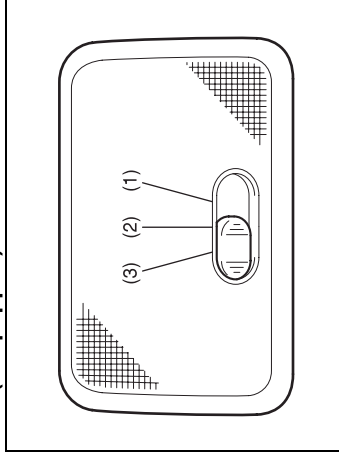
The light comes on and stays on regardless of whether the door is open or closed.

### **DOOR(2)**

The light comes on when the door is opened.

After closing all doors, the light will remain on for about 15 seconds (if this function is equipped) and then fade out. If you insert the key into the ignition switch during that time, the light will start to fade out immediately. After removing the key from the ignition switch, the light will turn on for about 15 seconds and then fade out.

Rear (if equipped)

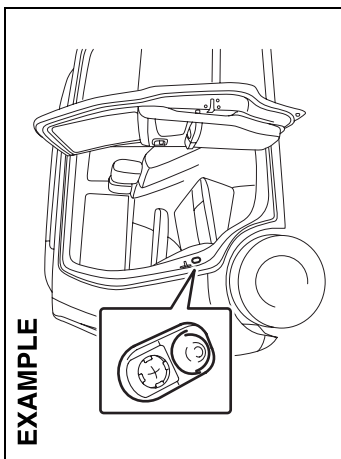


### **OFF(3)**

The light remains off even when the door is opened.

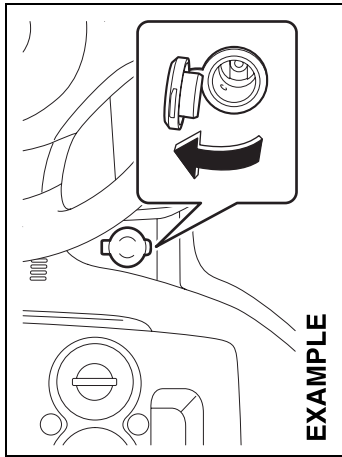


**OTHER CONTROLS AND EQUIPMENT**



**NOTE:**  
*The number of doors involved in the lighting operation of the interior light depends on the vehicle specification. If there is a switch (rubber projection) at the door opening as shown, the door is involved in the lighting operation. The tailgate may also be involved in this operation even without the rubber projection.*

**Accessory Socket (if equipped)**

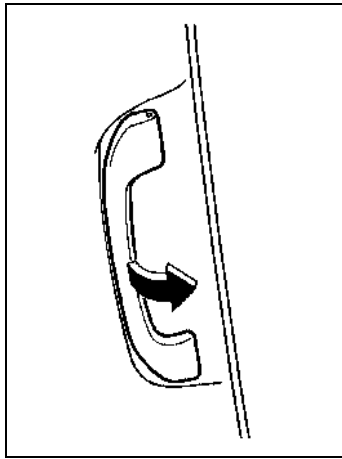


The accessory socket will work when the ignition switch is in the "ACC" or "ON" position. This socket can be used to provide 12 volt/120 watt power for electrical accessories.

**CAUTION**

**Use of inappropriate electrical accessories can cause damage to your vehicle's electrical system. Make sure that any electrical accessories you use are designed to plug into this type of socket.**

**Assist Grips (if equipped)**



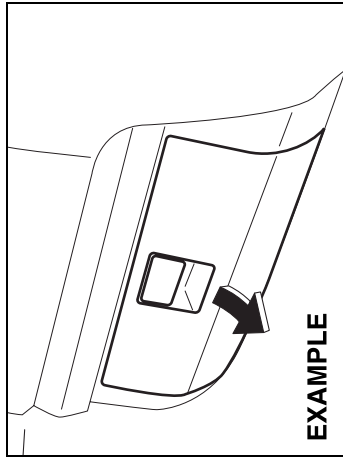
Assist grips are provided for convenience.

**CAUTION**

**To avoid damaging the assist grip and the molded headlining, do not hang down the assist grip.**

## OTHER CONTROLS AND EQUIPMENT

### Glove Box



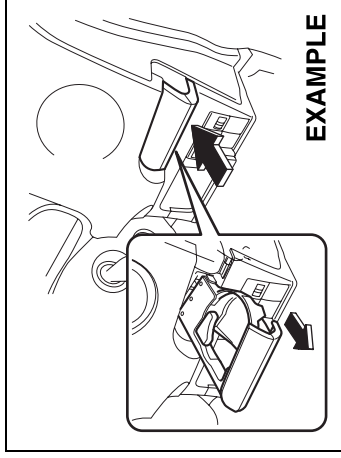
To open the glove box, pull the latch lever.  
To close it, push the lid until it latches securely.

**⚠ WARNING**

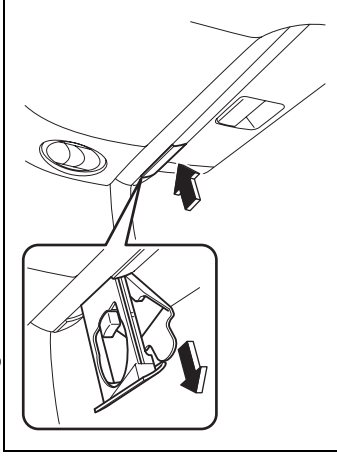
Never drive with the glove box lid open. It could cause injury if an accident occurs.

### Cup Holder (if equipped)

Driver's side

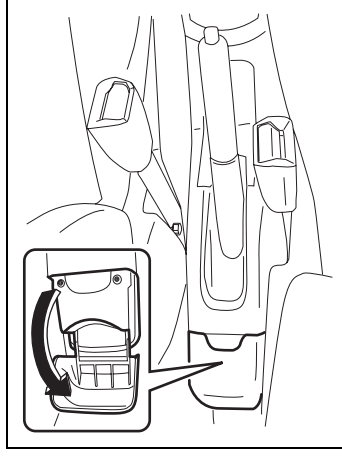


Passenger's side



To use the cup holder, push and pull it out.  
After using the holder, push it back.

Rear



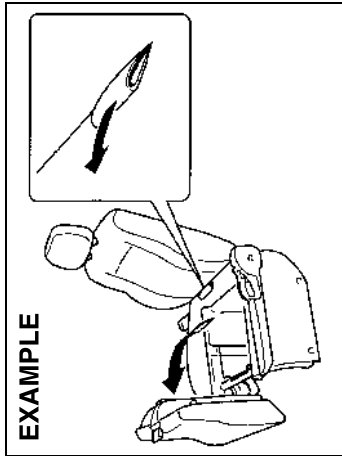
The cup holder is provided in the center console.

**⚠ WARNING**

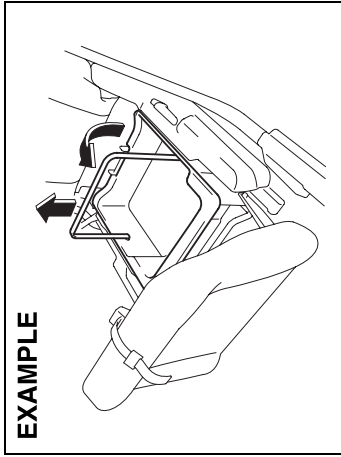
Do not use the cup holder to hold cups containing hot liquids, or sharp-edged, hard or breakable objects. Objects in the cup holder may be thrown about during a sudden stop or impact, and could cause personal injury.

**OTHER CONTROLS AND EQUIPMENT**

**Underseat Container  
(if equipped)**



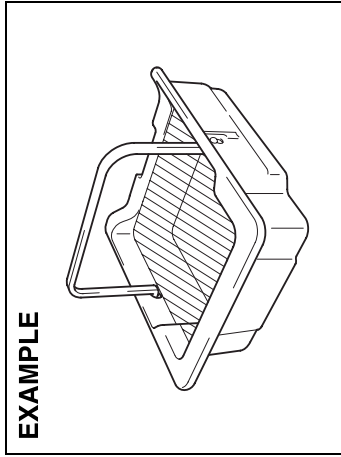
The container is located under the front passenger's seat. Pull the loop and raise the seat cushion forward to use the container. If it is hard to pull the loop, fold the seatback rearward slightly. This bucket is provided for holding light and soft things such as gloves, shoes, newspapers or magazines. Do not put hard or breakable objects in the bucket.



**EXAMPLE**

**CAUTION**

Piling items over the shaded part (in the illustration) can damage the seat cushion. Do not pile items over the shaded part. To avoid breaking of underseat container do not hold the items weighing more than 2.5 kg.

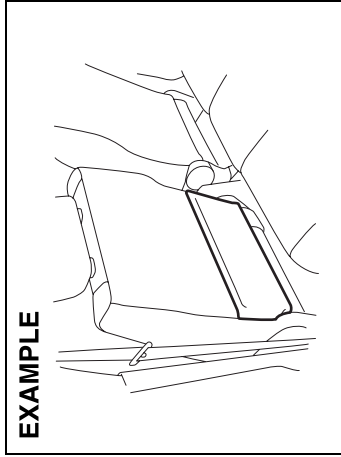


**EXAMPLE**

The container can be removed by simply lifting up. When returning the container, make sure that the container is set exactly in place.

## OTHER CONTROLS AND EQUIPMENT

### Front Seat Back Pocket (if equipped)



This pocket is provided for holding light and soft things such as gloves, newspapers or magazines.

#### **⚠ WARNING**

Do not put hard or breakable objects in the pocket. If an accident occurs, objects such as bottles, cans, etc. can injure the occupants in the rear seat.

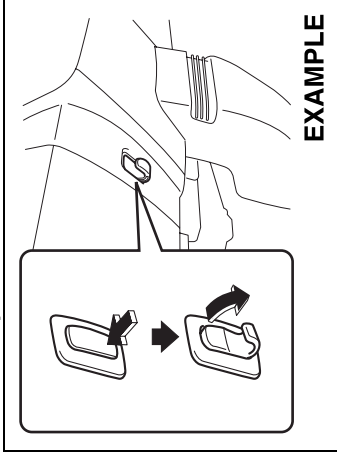
### Shopping Hook (if equipped)

You can hang the shopping bag or other suitable objects on the hook. This hook is not designed for large or heavy items.

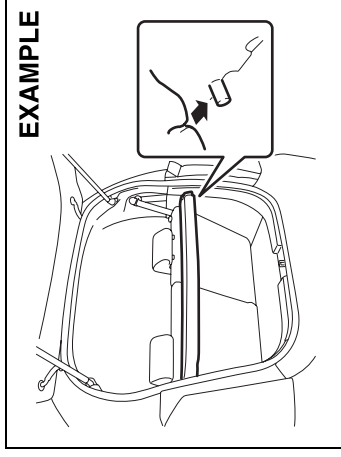
#### **CAUTION**

To avoid breaking the hook, do not hang items heavier than 2 kg (4.4 lbs).

Instrument panel



### Luggage Area Cover (if equipped)



Luggage or other cargo placed in the luggage compartment is hidden from view by a luggage area cover.

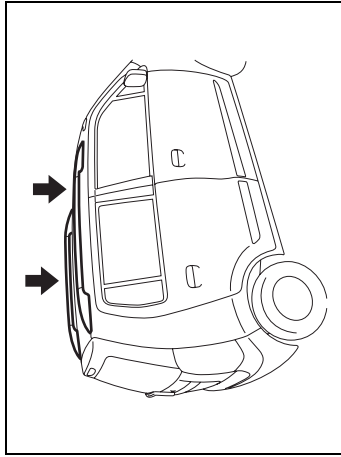
#### **⚠ WARNING**

Do not carry items on top of the luggage area cover, even if they are small and light. Objects on top of the cover could be thrown about in an accident, causing injury, or could obstruct the driver's rear view.

## OTHER CONTROLS AND EQUIPMENT

### Roof Rails (if equipped)

#### Roof rails



67LH076

You can use the roof rails to attach the optional roof rack which is available at your MARUTI SUZUKI Authorized workshop. If you use a roof rack, observe the instructions and precautions in this section and provided with the roof rack.

- Make sure the roof rack is securely installed.
- To mount various types of cargo (such as skis, bicycles, etc.) properly, use suitable attachments which are available from your MARUTI SUZUKI Authorized workshop. Be sure to install the attachments properly and securely according to the instructions provided. Do not mount cargo directly on the roof panel. The cargo can damage the roof panel.

- The gross weight of the roof rack plus cargo must not exceed the loading capacity (20 kg (44 lbs)). Also, do not let the gross vehicle weight (fully loaded vehicle including driver, passengers, cargo, roof load and trailer tongue weight) exceed the Gross Vehicle Weight Rating (GVWR) listed in the "SPECIFICATIONS" section of this manual.
- Mount and secure the cargo onto the roof rack properly according to the instructions provided. Be sure to stow the heaviest items at the bottom and distribute the cargo as evenly as possible.
- Do not carry items so large that they hang over the bumpers or the sides of the vehicle, or block your view.
- Secure the front and rear ends of long items – such as wood panels, surfboards and so forth – to both the front and rear of the vehicle. You should protect the painted surfaces of the vehicle from scuffing caused by tie-down ropes.
- Check periodically to make sure the roof rack is securely installed and free from damage.

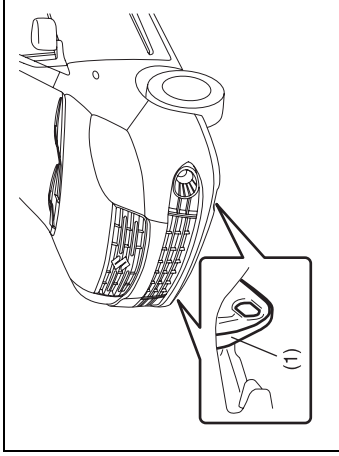
## OTHER CONTROLS AND EQUIPMENT

### **▲ WARNING**

- Abrupt maneuvers or failure to properly secure cargo can allow the cargo to fly off the vehicle and hit others, causing personal injury or property damage.
- Mount cargo securely and avoid abrupt maneuvers such as “jack-rabbit” starts, sharp turns, fast cornering and sudden braking. Check periodically to make sure that cargo is securely fastened.
- Large, bulky, long, or flat items can affect vehicle aerodynamics or be caught by the wind, and can reduce vehicle control resulting in an accident and personal injury. Drive cautiously at a safely reduced speed when carrying this type of cargo.

### Frame Hooks

Front



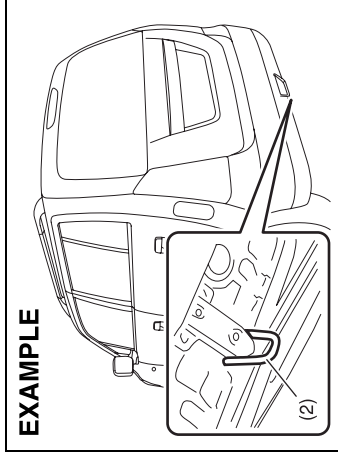
The frame hooks are provided on the front (1) and rear (2) of the vehicle. The hooks (1) are used for emergency situations. The hooks (1) and (2) are used for trailer/train shipping purpose.

To tow your vehicle on the road or highway, follow the instruction of “Towing” in “EMERGENCY SERVICE” section.

### **▲ WARNING**

**Do not use the frame hooks to tow another vehicle or to have your vehicle towed on the road or highway. The hooks (1) are designed for use in emergency situations only, such as if your vehicle or another vehicle gets stuck in deep mud or snow. The hook (2) is provided for trailer/train shipping purposes.**

Rear

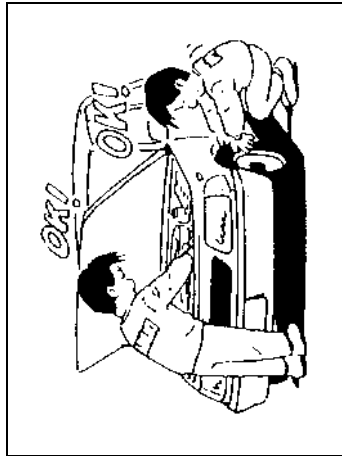


INSPECTION AND MAINTENANCE

**INSPECTION AND MAINTENANCE**

Maintenance Schedule ..... 6-2  
Periodic Maintenance Schedule ..... 6-2  
Drive Belt ..... 6-7  
Engine Oil and Filter ..... 6-7  
Engine Coolant ..... 6-11  
Air Cleaner ..... 6-12  
Spark Plugs ..... 6-13  
Gear Oil ..... 6-14  
Clutch Pedal ..... 6-15  
Fuel Filter (if equipped) ..... 6-16  
Brakes ..... 6-16  
Steering ..... 6-18  
Tires ..... 6-18  
Battery ..... 6-21  
Fuses ..... 6-22  
Bulb Replacement ..... 6-24  
Wiper Blades ..... 6-29  
Windshield Washer Fluid ..... 6-31  
Air Conditioning System ..... 6-31

## INSPECTION AND MAINTENANCE



60A187S

### **▲** WARNING

You should take extreme care when working on your vehicle to prevent accidental injury. Here are a few precautions that you should be especially careful to observe:

(Continued)

### **▲** WARNING

(Continued)

To prevent damage or unintended activation of the air bag system, be sure the battery is disconnected and the ignition switch has been in the "LOCK" position for at least 90 seconds before performing any electrical service work on your MARUTI SUZUKI. Do not touch air bag system components or wires. The wires are wrapped with yellow tape or yellow tubing, and the couplers are yellow for easy identification.

- Do not leave the engine running in garages or other confined areas.
- When the engine is running, keep hands, clothing, tools, and other objects away from the fan and drive belt. Even though the fan may not be moving, it can automatically turn on without warning.

(Continued)

### **▲** WARNING

(Continued)

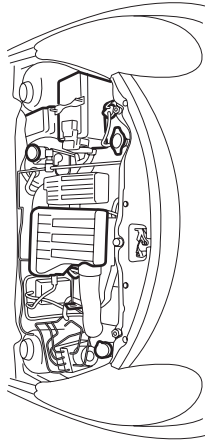
- When it is necessary to do service work with the engine running, make sure that the parking brake is set fully and the transaxle is in Neutral.
- Do not touch ignition wires or other ignition system parts when starting the engine or when the engine is running, or you could receive an electric shock.
- Be careful not to touch a hot engine, exhaust manifold and pipes, muffler, radiator and water hoses.
- Do not allow smoking, sparks, or flames around fuel or the battery. Flammable fumes are present.
- Do not get under your vehicle if it is supported only with the portable jack provided in your vehicle.
- Be careful not to cause accidental short circuits between the positive and negative battery terminals.
- Keep used oil, coolant, and other fluids away from children and pets. Dispose of used fluids properly; never pour them on the ground, into sewers, etc.



## INSPECTION AND MAINTENANCE

### Maintenance Schedule

#### EXAMPLE



68KH064

The following table shows the times when you should perform regular maintenance on your vehicle. This table shows in, kilometers and months when you should perform inspections, adjustments, lubrication and other services. These intervals should be shortened if driving is usually done under severe conditions.

#### **▲ WARNING**

MARUTI SUZUKI recommends that maintenance should be performed by your MARUTI SUZUKI Authorized workshop. If you are not sure whether you can successfully complete any maintenance jobs, ask your MARUTI SUZUKI Authorized workshop to do the maintenance for you.

#### **CAUTION**

Whenever it becomes necessary to replace parts on your vehicle, it is recommended that you use MARUTI genuine parts.

### Periodic Maintenance Schedule

“R” : Replace or Change  
“I” : Inspect, clean, adjust, lubricate or replace as necessary  
“L” : Lubricate  
“T” : Tighten  
“O” : Rotate

#### NOTE:

*This table includes services as scheduled up to 80,000 km mileage. Beyond 80,000 km, carry out the same services at the same intervals respectively.*

## INSPECTION AND MAINTENANCE

A....Adjust.

T....Tighten to specified torque.

R....Replace or change.

L....Lubricate.

I....Inspect and correct or replace if necessary.

C....Clean.

O....Rotate

Note:

This table includes services as scheduled up to 80,000 km mileage. Beyond 80,000 km, carry out the same services at the same intervals respectively.

	Interval: This interval should be judged by odometer reading or months, whichever comes first.	km (x 1,000) months	FREE INSPECTIONS						PERIODIC MAINTENANCE SERVICE AT COST						
			1	5	10	20	30	40	50	60	70	80			
			1	6	12	24	36	48	60	72	84	96			
ENGINE															
1.	Water pump drive belt (tension, wear)		-	-	-	-	-	-	-	-	-	-	-	-	R
2.	Engine coolant (level, leakage)		I	I	I	R	I	I	R	I	R	I	I	I	R
3.	Engine oil (API GRADE SG+) & Oil filter		-	-	R	R	R	R	R	R	R	R	R	R	R
4.	Cooling system hoses and connections (leakage, damage)		I	I	I	I	I	I	I	I	I	I	I	I	I
5.	Engine bolts (All cylinder head and manifold fixings)		-	-	T	-	T	-	T	-	T	-	T	-	-
6.	Engine mounting (loose, damage)		-	-	T	-	T	-	T	-	T	-	T	-	-
7.	Valve clearance		-	-	-	-	I	-	I	-	I	-	I	-	-
8.	Exhaust system (noise, leakage or otherwise defective)		-	I	-	I	-	I	-	I	-	I	-	I	-
9.	Positive crankcase ventilation System (Hoses, connections and valve)		-	I	-	I	-	I	-	I	-	I	-	I	-
IGNITION															
1.	Ignition wiring, (damage, deterioration)		-	-	-	I	-	I	-	I	-	I	-	I	-
2.	Spark plugs (clean and adjust the gap)		-	-	-	-	-	-	R	-	-	-	-	-	R

## INSPECTION AND MAINTENANCE

Interval: This interval should be judged by odometer reading or months, whichever comes first.	km (x 1,000) months	FREE INSPECTIONS								PERIODIC MAINTENANCE SERVICE AT COST											
		1	5	10	20	30	40	50	60	70	80	1	5	10	20	30	40	50	60	70	80
		1	6	12	24	36	48	60	72	84	96										
FUEL																					
1.	Air cleaner	Paved-road	Clean every 5,000 km. Replace every 40,000 km.																		
		Dusty condition	Clean every 2,500 km or as required. Replace every 40,000 km. More frequent replacement if dust condition is severe.																		
2.	Accelerator cable and Throttle shafts		-	I&L	I&L	I&L	I&L	I&L	I&L	I&L	I&L	I&L	I&L	I&L	I&L	I&L	I&L	I&L	I&L	I&L	
3.	Fuel tank cap, fuel lines & connections(leakage,damage)		-	I	-	-	I	-	-	-	-	-	-	-	-	-	-	-	-	-	
4.	Fuel filter (leakage)		I	I	I	I	I	I	I	R	I	I	I	I	I	I	I	I	I	R	
CLUTCH AND TRANSMISSION																					
1.	Clutch pedal (play)		I	I	I	I	I	I	I	I	I	I	I	I	I	I	I	I	I	I	
2.	Clutch slipping (dragging or excessive damage)		I	I	I	I	I	I	I	I	I	I	I	I	I	I	I	I	I	I	
3.	Manual Transmission/Transfer and Differential oil (level, leakage)		I	I	I	I	R	I	I	R	I	I	R	I	I	R	I	I	I	R	
DRIVE SHAFTS																					
1.	Drive shafts boots (boot cut / damage)		I	I	I	I	I	I	I	I	I	I	I	I	I	I	I	I	I	I	
2.	Noise from drive shafts		I	I	I	I	I	I	I	I	I	I	I	I	I	I	I	I	I	I	
BRAKE																					
1.	Brake fluid (level, leakage)		I	I	I	R	I	I	R	I	I	R	I	I	R	I	I	R	I	R	
2.	Brake pedal (pedal-to-wall clearance)		I	I	I	I	I	I	I	I	I	I	I	I	I	I	I	I	I	I	
3.	Parking brake lever and cable (play, damage)		I	I	I	I	I	I	I	I	I	I	I	I	I	I	I	I	I	I	
4.	a. Brake discs and pads, (wear)		-	I	I	I	I	I	I	I	I	I	I	I	I	I	I	I	I	I	
	b. Brake drums & shoes		-	-	I	I	I	I	I	I	I	I	I	I	I	I	I	I	I	I	
5.	Master cylinder and wheel cylinder or calliper boot kit (oil leakage)		I	I	I	I	I	I	I	I	R	I	I	R	I	I	I	I	I	R	
6.	Brake hoses and pipes (leakage, damage)		I	I	I	I	I	I	I	I	I	I	I	I	I	I	I	I	I	I	

## INSPECTION AND MAINTENANCE

Interval: This interval should be judged by odometer reading or months, whichever comes first.	km (x 1,000) months	FREE INSPECTIONS										PERIODIC MAINTENANCE SERVICE AT COST																			
		1	5	10	20	30	40	50	60	70	80	1	20	30	40	50	60	72	84	96											
		1	6	12	24	36	48	60	72	84	96	I	I&O	I&O	I&O	I&O	I&O	I&O	I&O	I&O	I&O										
<b>WHEEL</b>																															
1.	Tyres (air pressure, abnormal wear, crack, rotation)	I	I&O	I&O	I&O	I&O	I&O	I&O	I&O	I&O	I&O	I&O	I&O	I&O	I&O	I&O	I&O	I&O	I&O	I&O											
2.	Wheels (damage)	I	I	I	I	I	I	I	I	I	I	I	I	I	I	I	I	I	I	I											
3.	Front wheel bearings (loose, damage, noise)	-	I	I	I	I	I	I	I	I	I	I	I	I	I	I	I	I	I	I											
4.	Rear wheel bearings (loose, damage, noise)	-	I	I	I	I	I	I	I	I	I	I	I	I	I	I	I	I	I	I											
<b>FRONT AND REAR SUSPENSION</b>																															
1.	Suspension strut (oil leakage, damage, noise)	I	I	I	I	I	I	I	I	I	I	I	I	I	I	I	I	I	I	I											
2.	Suspension arms and knuckle supports (loose, damage)	-	I	I	I	I	I	I	I	I	I	I	I	I	I	I	I	I	I	I											
3.	Rear spring (damage, noise)	-	I	I	I	I	I	I	I	I	I	I	I	I	I	I	I	I	I	I											
4.	Shock absorbers (oil leakage, damage, noise)	I	I	I	I	I	I	I	I	I	I	I	I	I	I	I	I	I	I	I											
5.	All bolts and nuts (loose)	-	T	T	T	T	T	T	T	T	T	T	T	T	T	T	T	T	T	T											
6.	Suspension arms and Tension rods	-	I	I	I	I	I	I	I	I	I	I	I	I	I	I	I	I	I	I											
<b>STEERING</b>																															
1.	Steering wheel (play, loose)	I	I	I	I	I	I	I	I	I	I	I	I	I	I	I	I	I	I	I											
2.	All rods and arms (loose, damage, wear)	I	I	I	I	I	I	I	I	I	I	I	I	I	I	I	I	I	I	I											
<b>ELECTRICAL</b>																															
1.	Battery electrolyte (level, leakage)	I	I	I	I	I	I	I	I	I	I	I	I	I	I	I	I	I	I	I											
2.	Wiring harness connection (looseness, damage)	-	I	I	I	I	I	I	I	I	I	I	I	I	I	I	I	I	I	I											
3.	Lighting system (operation, stains, damage)	I	I	I	I	I	I	I	I	I	I	I	I	I	I	I	I	I	I	I											
4.	Horn (operation)	I	I	I	I	I	I	I	I	I	I	I	I	I	I	I	I	I	I	I											
5.	System voltage	-	I	I	I	I	I	I	I	I	I	I	I	I	I	I	I	I	I	I											

## INSPECTION AND MAINTENANCE

Interval: This interval should be judged by odometer reading or months, whichever comes first.	km (x 1,000) months	FREE INSPECTIONS												PERIODIC MAINTENANCE SERVICE AT COST																						
		1		5		10		12		24		30		40		50		60		70		80														
		1	6	5	10	10	12	24	36	48	60	72	84	96																						
BODY																																				
1. All chassis bolts and nuts (tighten)		-	I	I	T	T	T	T	T	T	T	T	T	T	T	T	T	T	T	T	T	T	T													
2. All Latches, Hinges & Locks (function)		I	I&L	I&L	I&L	I&L	I&L	I&L	I&L	I&L	I&L	I&L	I&L	I&L	I&L	I&L	I&L	I&L	I&L	I&L	I&L	I&L														
ROAD TEST																																				
1. Operation of Brakes, Gear shifting & speedometer		I	I	I	I	I	I	I	I	I	I	I	I	I	I	I	I	I	I	I	I	I														
2. Body and Chassis noise		I	I	I	I	I	I	I	I	I	I	I	I	I	I	I	I	I	I	I	I	I														
AIR CONDITIONER (if equipped)																																				
1. Check belt tension		I	I	I	I	I	I	I	I	I	I	I	I	I	I	I	I	I	I	I	I	I														
2. Tighten compressor mounting bolts		-	T	T	T	T	T	T	T	T	T	T	T	T	T	T	T	T	T	T	T	T														
3. Check all hose joints, tighten if necessary		I	I	I	I	I	I	I	I	I	I	I	I	I	I	I	I	I	I	I	I	I														
4. Check functioning of Recirc flap		I	I	I	I	I	I	I	I	I	I	I	I	I	I	I	I	I	I	I	I	I														
5. Clean condenser with low pressure water		-	C	C	C	C	C	C	C	C	C	C	C	C	C	C	C	C	C	C	C	C														
6. Check belt for frayed edges, change if necessary		-	I	I	I	I	I	I	I	I	I	I	I	I	I	I	I	I	I	I	I	I														
7. Check all mounting bolts		-	I	I	I	I	I	I	I	I	I	I	I	I	I	I	I	I	I	I	I	I														

**▲ WARNING**

The rear shock absorbers are filled with high pressure gas. Never attempt to disassemble them or throw them into a fire. Avoid storing them near a heater or heating device. When scrapping the absorber, the gas must be released from the absorber safely. Ask your dealer for assistance.

## INSPECTION AND MAINTENANCE

### Drive Belt

#### **▲ WARNING**

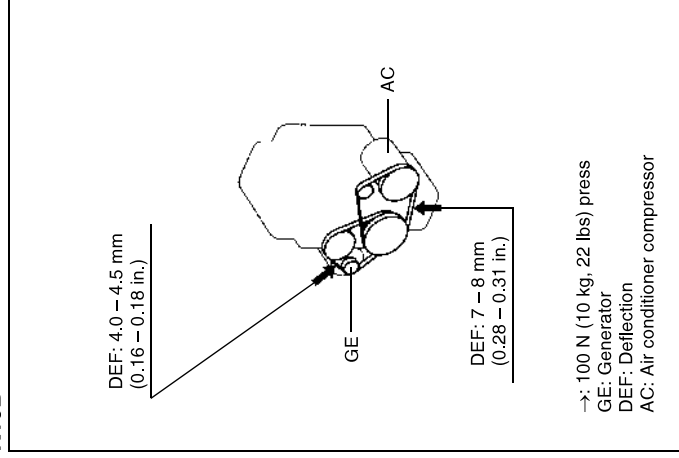
**When the engine is running, keep hands, hair, clothing, tools, etc. away from the moving fan and drive belts.**

Make sure the drive belt tension is correct. If the belt is too loose, insufficient battery charging, engine overheating, poor power steering, poor air conditioning, or excessive belt wear can result. When you press the belt with your thumb midway between the pulleys, there should be a deflection according to the following chart.

The belts should also be examined to ensure that they are not damaged.

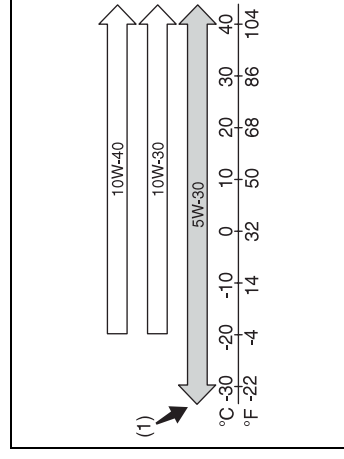
If you need to replace or adjust the belt have it done by your **MARUTI SUZUKI** Authorized workshop.

K10B



### Engine Oil and Filter

#### Specified Oil



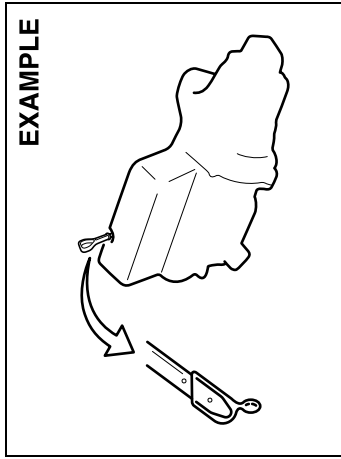
(1) Preferred

Be sure that the engine oil you use comes under the quality classification of SG+, SL, or SJ. Select the appropriate oil viscosity according to the above chart.

SAE 5W-30 is the best choice for good fuel economy, and good starting in cold weather.

## INSPECTION AND MAINTENANCE

### Oil Level Check

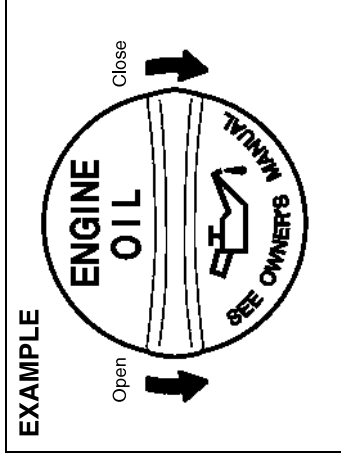


68KH066

It is important to keep the engine oil at the correct level for proper lubrication of your vehicle's engine. Check the oil level with the vehicle on a level surface. The oil level indication may be inaccurate if the vehicle is on a slope. The oil level should be checked either before starting the engine or at least 5 minutes after stopping the engine.

The handle of the engine oil dipstick is colored yellow for easy identification. Pull out the oil dipstick, wipe oil off with a clean cloth, insert the dipstick all the way into the engine, then remove it again. The oil on the stick should be between the upper and lower limits shown on the stick. If the oil level indication is near the lower limit, add enough oil to raise the level to the upper limit.

### Refilling



81A147

Remove the oil filler cap and pour oil slowly through the filler hole to bring the oil level to the upper limit on the dipstick. Be careful not to overfill. Too much oil is almost as bad as too little oil. After refilling, start the engine and allow it to idle for about a minute. Stop the engine, wait about 5 minutes and check the oil level again.

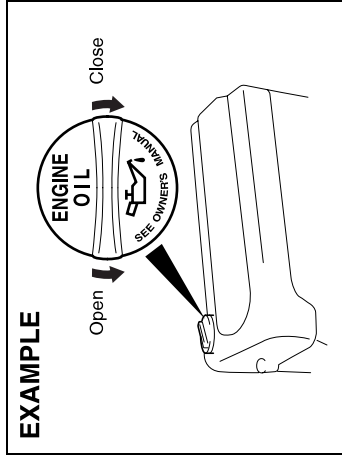
### CAUTION

Failure to check the oil level regularly could lead to serious engine trouble due to insufficient oil.

## INSPECTION AND MAINTENANCE

### Changing Engine Oil and Filter

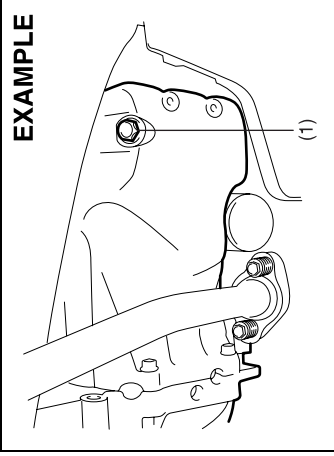
Drain the engine oil while the engine is still warm.



- 1) Remove the oil filler cap.
- 2) Place a drain pan under the drain plug.
- 3) Using a wrench, remove the drain plug and drain out the engine oil.

#### **▲ WARNING**

The engine oil temperature may be high enough to burn your fingers when the drain plug is loosened. Wait until the drain plug is cool enough to touch with your bare hands.



#### **EXAMPLE**

Tightening torque for drain plug (1):  
35 Nm (3.5 kg-m, 25.5 lb-ft)

#### **▲ WARNING**

New and used oil can be hazardous. Children and pets may be harmed by swallowing new or used oil. Keep new and used oil and used oil filters away from children and pets. Repeated, prolonged contact with used engine oil may cause skin cancer. Brief contact with used oil may irritate skin.

(Continued)

#### **▲ WARNING**

(Continued)

To minimize your exposure to used oil, wear a long-sleeve shirt and moisture-proof gloves (such as dishwashing gloves) when changing oil. If oil contacts your skin, wash thoroughly with soap and water. Launder any clothing or rags if wet with oil. Recycle or properly dispose of used oil and filters.

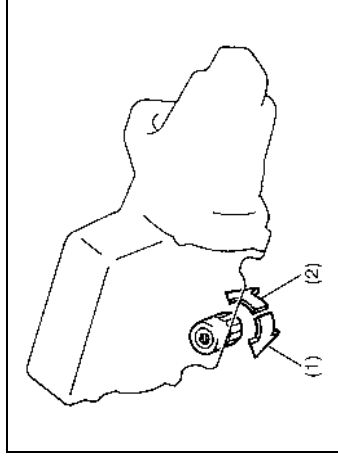
- 4) Reinstall the drain plug and gasket. Tighten the plug with a wrench to the specified torque.

#### **Replace the Oil Filter**

- 1) Using an oil filter wrench, turn the oil filter counterclockwise and remove it.
- 2) Using a clean rag, wipe off the mounting surface on the engine where the new filter will be seated.
- 3) Smear a little engine oil around the rubber gasket of the new oil filter.
- 4) Screw on the new filter by hand until the filter gasket contacts the mounting surface.

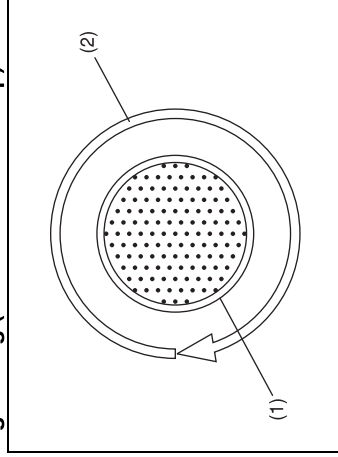


## INSPECTION AND MAINTENANCE



- (1) Loosen
- (2) Tighten

### Tightening (viewed from filter top)



- (1) Oil filter
- (2) 1 turn

### CAUTION

To tighten the oil filter properly, it is important to accurately identify the position at which the filter gasket first contacts the mounting surface.

- 5) Tighten the filter specified turn from the point of contact with the mounting surface (or to the specified torque) using an oil filter wrench.

### Tightening torque for oil filter

- 1 turn or
- 14 Nm (1.4 kg-m, 10.5 lb-ft)

### CAUTION

To prevent oil leakage, make sure that the oil filter is tight, but do not over-tighten it.

### Refill with Oil and Check for Leaks

- 1) Pour oil through the filler hole and install the filler cap.  
For the approximate capacity of the oil, refer to the "CAPACITIES" item in the "SPECIFICATIONS" section.
- 2) Start the engine and look carefully for leaks at the oil filter and drain plug. Run the engine at various speeds for at least 5 minutes.
- 3) Stop the engine and wait about 5 minutes. Check the oil level again and add oil if necessary. Check for leaks again.

### CAUTION

- When replacing the oil filter, it is recommended that you use a MARUTI genuine replacement filter. If you use an aftermarket filter, make sure it is of equivalent quality and follow the manufacturer's instructions.
- Oil leaks from around the oil filter or drain plug indicate incorrect installation or gasket damage. If you find any leaks or are not sure that the filter has been properly tightened, have the vehicle inspected by your MARUTI SUZUKI Authorized workshop.

## INSPECTION AND MAINTENANCE

### Engine Coolant

#### Selection of Coolant

To maintain optimum performance and durability of your engine, use MARUTI Genuine Coolant or equivalent.

This type of coolant is best for your cooling system as it:

- Helps maintain proper engine temperature.
- Gives proper protection against freezing and boiling.
- Gives proper protection against corrosion and rust.

Failure to use the proper coolant can damage your cooling system. Your MARUTI SUZUKI Authorized workshop can help you select the proper coolant.

#### CAUTION

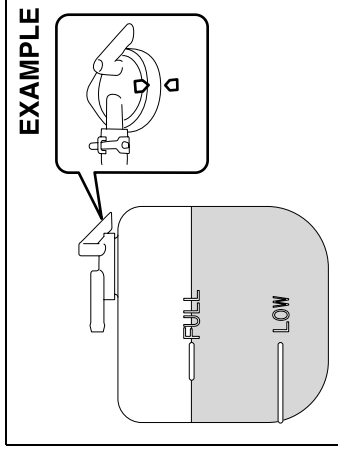
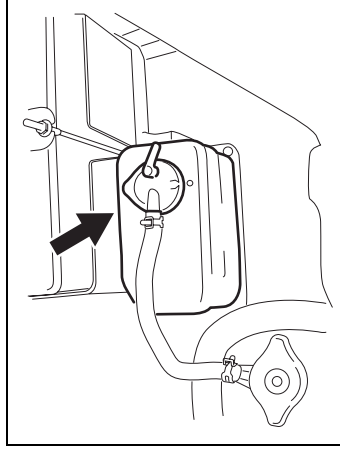
To avoid damaging your cooling system:

- Always use a high quality ethylene glycol base non-silicate type coolant diluted with distilled water at the correct mixture concentration.
- Make sure that the proper mix is 30/70 coolant to distilled water Concentrations greater than 70/30 coolant to distilled water will cause overheating conditions.
- Do not use straight coolant nor plain water.
- Do not add extra inhibitors or additives. They may not be compatible with your cooling system.
- Do not mix different types of base coolants. Doing so may result in accelerated seal wear and/or the possibility of severe overheating and extensive engine damage.

#### Coolant Level Check

Check the coolant level at the reservoir tank, not at the radiator. With the engine cool, the coolant level should be between the "FULL" and "LOW" marks.

### Adding Coolant



## INSPECTION AND MAINTENANCE

If the coolant level is below the "LOW" mark, more coolant should be added. Remove the reservoir tank cap and add coolant until the reservoir tank level reaches the "FULL" mark. Never fill the reservoir tank above the "FULL" mark.

### **▲ WARNING**

Engine coolant is harmful or fatal if swallowed or inhaled. Do not drink antifreeze or coolant solution. If swallowed, do not induce vomiting. Immediately contact a poison control center or a physician. Avoid inhaling mist or hot vapors; if inhaled, remove to fresh air. If coolant gets in eyes, flush eyes with water and seek medical attention. Wash thoroughly after handling. Solution can be poisonous to animals. Keep out of the reach of children and animals.

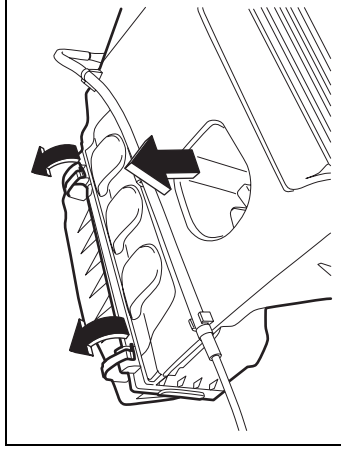
### **CAUTION**

When putting the cap on the reservoir tank, line up the mark on the cap and the mark on the tank. Failure to follow this can result in coolant leakage.

### **Coolant Replacement**

Since special procedures are required, we recommend you take your vehicle to your MARUTI SUZUKI Authorized workshop for coolant replacement.

## Air Cleaner



If the air cleaner is clogged with dust, there will be greater intake resistance, resulting in decreased power output and increased fuel consumption.

Unclamp the upper clamps, and remove the element from the air cleaner case. If it appears to be dirty, replace it with a new one.

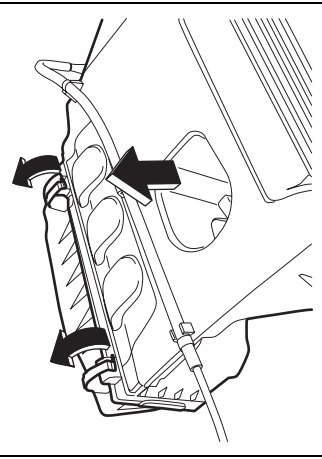
### **CAUTION**

- The mixture you use should contain 50% concentration of antifreeze.
- If the lowest ambient temperature in your area is expected to be  $-35^{\circ}\text{C}$  ( $-31^{\circ}\text{F}$ ) or below, use higher concentrations up to 60% following the instructions on the antifreeze container.

## INSPECTION AND MAINTENANCE

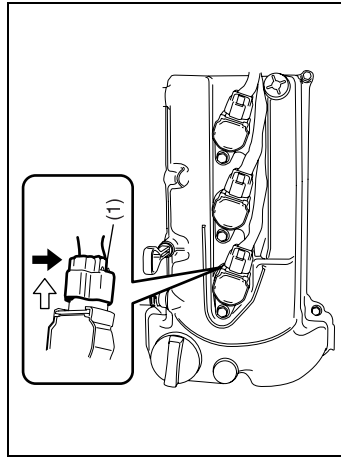
### Spark Plugs

deposits with a wire or pin and adjust the spark plug gap.



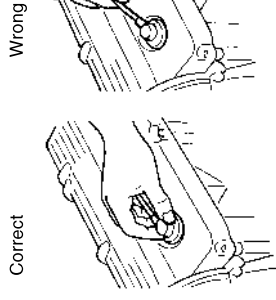
- To access the spark plugs:
- 1) Unclamp and remove the air cleaner case.
  - 2) If necessary, disconnect the coupler (1) while pushing the release lever.
  - 3) Remove the ignitor bolts.
  - 4) Pull the spark plug boots out.

**NOTE:**  
When installation, make sure the wires, couplers, sealing rubber of top cover and washers, are correctly returned in place.



You should inspect spark plugs periodically for carbon deposits. When carbon accumulates on a spark plug, a strong spark may not be produced. Remove carbon

### EXAMPLE



60G102

### CAUTION

- When disconnecting the spark plug cables, pull on the boot, not on the cable itself. Pulling on the cable can damage it.

## INSPECTION AND MAINTENANCE

### Gear Oil

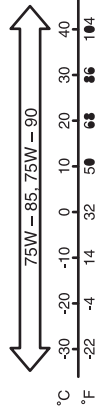
#### Manual Transmission Oil

When adding gear oil, use gear oil with the appropriate viscosity and grade.

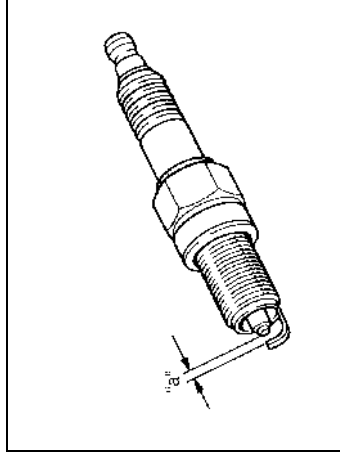
We highly recommend you use:

MARUTI GEAR OIL 75W-90 for manual transmission oil.

#### Manual transmission oil (API GL-4)



65D571

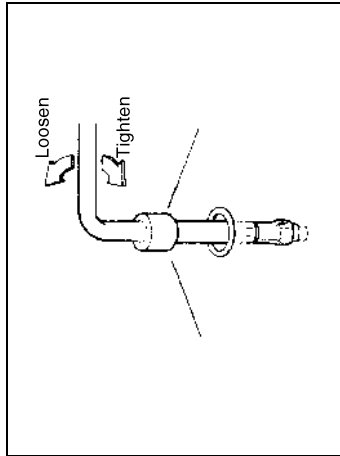


60B307

Spark plug gap "a"  
NGK KR6A-10:  
0.95 – 1.05 mm

#### CAUTION

When replacing spark plugs, you should use the brand and type specified for your vehicle. For the specified plugs, refer to the "SPECIFICATIONS" section at the end of this book. If you wish to use a brand of spark plug other than the specified plugs, consult your MARUTI SUZUKI Authorized workshop.



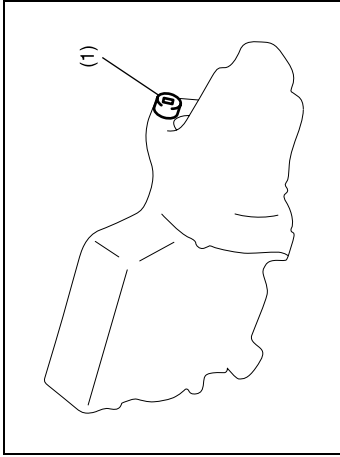
60G160S

#### CAUTION

- When installing the spark plugs, screw them in with your fingers to avoid stripping the threads. Tighten with a torque wrench to 17.5 Nm (1.8Kg-m, 13.0lb - ft). Do not allow contaminants to enter the engine through the spark plug holes when the plugs are removed.
- Never use spark plugs with the wrong thread size.

## INSPECTION AND MAINTENANCE

### Gear Oil Level Check Manual transmission



68KH073

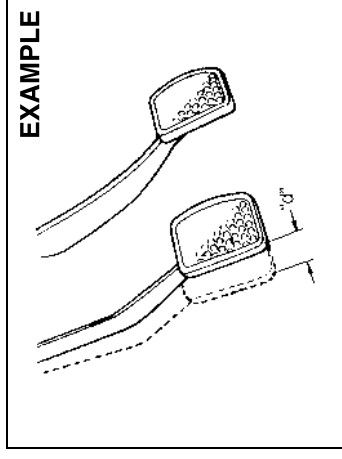
- 1) Oil filler and level plug

To check the gear oil level, use the following procedure:

- 1) Park the vehicle on a level surface with the parking brake applied. Then, stop the engine.
- 2) Remove the oil filler plug (1).
- 3) Check the inside of the hole with your finger. If the oil level comes up to the bottom of the plug hole, the oil level is correct. If so, reinstall the plug.

### Clutch Pedal

#### Cable control clutch (if equipped)



54G274

#### Clutch pedal play "d": 10 - 15 mm (0.4 - 0.6 in.)

Measure the clutch pedal play by moving the clutch pedal with your hand and measuring the distance it moves until you feel slight resistance. The play in the clutch pedal should be between the specified values. If the play is more or less than the above, or clutch dragging is felt with the pedal fully depressed, have the clutch inspected by your MARUTI SUZUKI Authorized workshop.

- 4) If the oil level is low, add gear oil through the oil filler plug hole (1) until the oil level reaches the bottom of the filler hole, then reinstall the plug.

#### Tightening torque (1):

21 Nm (2.1 kg-m, 15.5 lb-ft)

#### ⚠ WARNING

After driving the vehicle, the transmission oil temperature may be high enough to burn your skin. Wait until the oil filler plug is cool enough to touch with your bare hands before inspecting transmission oil.

#### CAUTION

When tightening the plug, apply the following sealing compound or equivalent to the plug threads to prevent oil leakage.

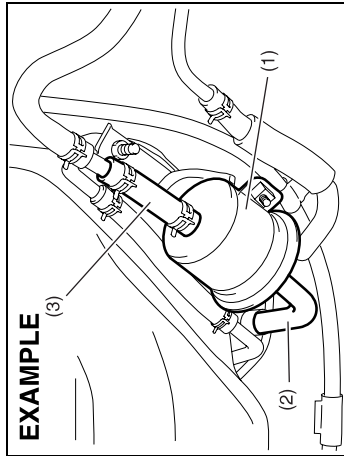
Manual transmission sealant:  
MARUTI Bond No. "1217G"

#### Gear Oil Change

Since special procedures, materials and tools are required, it is recommended that you trust this job to your MARUTI SUZUKI Authorized workshop.

### Fuel Filter (if equipped)

The fuel filter is located on the way of the fuel hose line under the vehicle body.



68KH128

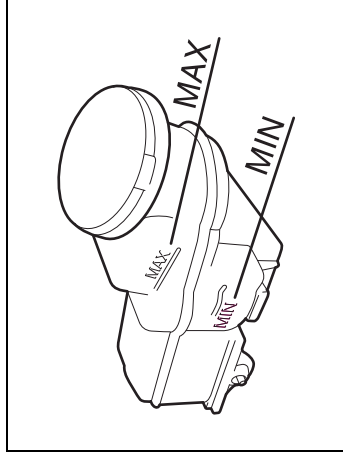
- (1) Fuel filter
- (2) Fuel inlet hose
- (3) Fuel outlet hose

### Replace the Fuel Filter

Since special procedures are required, we recommend you take your vehicle to your MARUTI SUZUKI Authorized workshop for fuel filter replacement.

### Brakes

#### Brake Fluid



67LH081

Check the brake fluid level by looking at the reservoir in the engine compartment. Check that the fluid level is between the "MAX" and "MIN" lines. If the brake fluid level is near the "MIN" line, fill it up to the "MAX" line with Maruti Genuine brake fluid.

### ⚠ WARNING

Failure to follow the guidelines below can result in personal injury or serious damage to the brake system.

- If the brake fluid in the reservoir drops below a certain level, the brake warning light on the instrument panel will come on (the engine must be running with the parking brake fully disengaged). Should the light come on, immediately ask your MARUTI SUZUKI Authorized workshop to inspect the brake system.
- A rapid fluid loss indicates a leak in the brake system which should be inspected by your MARUTI SUZUKI Authorized workshop immediately.
- Brake fluid can harm your eyes and damage painted surfaces. Use caution when refilling the reservoir.
- Do not use any fluid other than Maruti Genuine brake fluid. Do not use reclaimed fluid or fluid that has been stored in old or open containers. It is essential that foreign particles and other liquids are kept out of the brake fluid reservoir.

## INSPECTION AND MAINTENANCE

### **▲ WARNING**

Brake fluid is harmful or fatal if swallowed, and harmful if it comes in contact with skin or eyes. If swallowed, do not induce vomiting. Immediately contact a poison control center or a physician. If brake fluid gets in eyes, flush eyes with water and seek medical attention. Wash thoroughly after handling. Solution can be poisonous to animals. Keep out of the reach of children and animals.

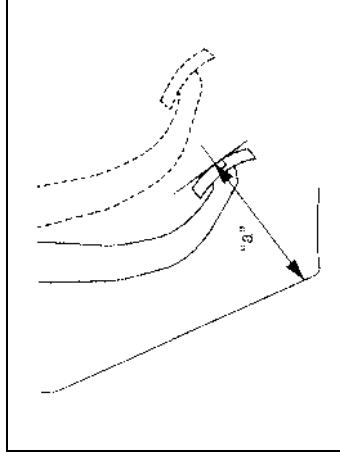
#### **NOTE:**

*With disc brakes, the fluid level can be expected to gradually fall as the brake pads wear.*

#### **Brake Pedal**

Check if the brake pedal stops at the regular height without "spongy" feeling when you depress it. If not, have the brake system inspected by your MARUTI SUZUKI Authorized workshop. If you doubt the brake pedal for the regular height, check it as follows:

*include the floor mat or rubber on the floor wall in your measurement.*



54G108

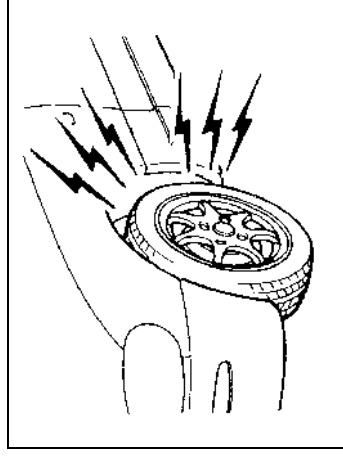
**Pedal to floor carpet minimum distance "a":**  
**62 mm (2.4 in.)**

With the engine running, measure the distance between the brake pedal and floor carpet when the pedal is depressed with approximately 30 kg (66 lbs) of force. The minimum distance required is as specified. Since your vehicle's brake system is self-adjusting, there is no need for pedal adjustment.

If the pedal to floor carpet distance as measured above is less than the minimum distance required, have your vehicle inspected by your MARUTI SUZUKI Authorized workshop.

#### **NOTE:**

*When measuring the distance between the brake pedal and floor wall, be sure not to*



60G104S

### **▲ WARNING**

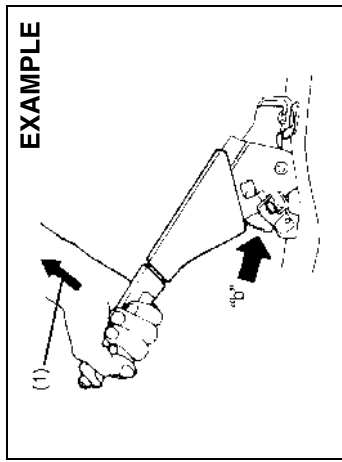
**If you experience any of the following problems with your vehicle's brake system, have the vehicle inspected immediately by your MARUTI SUZUKI Authorized workshop.**

- Poor braking performance
- Uneven braking (brakes not working uniformly on all wheels.)
- Excessive pedal travel
- Brake dragging
- Excessive noise
- (Except ABS equipped vehicle) Pedal pulsation (pedal pulsates when depressed.)



## INSPECTION AND MAINTENANCE

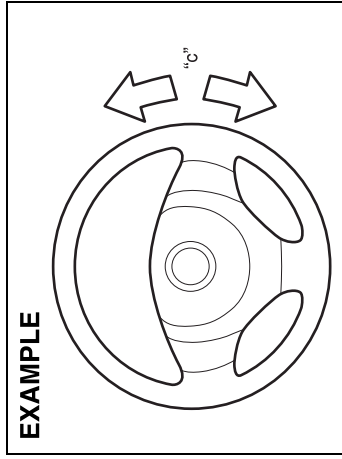
### Parking Brake



**Ratchet tooth specification "b":**  
4th – 9th  
Lever pull force (1):  
200 N (20 kg, 44 lbs)

Check the parking brake for proper adjustment by counting the number of clicks made by the ratchet teeth as you slowly pull up on the parking brake lever to the point of full engagement. The parking brake lever should stop between the specified ratchet teeth and the rear wheels should be securely locked. If the parking brake is not properly adjusted or the brakes drag after the lever has been fully released, have the parking brake inspected and/or adjusted by your MARUTI SUZUKI Authorized workshop.

### Steering

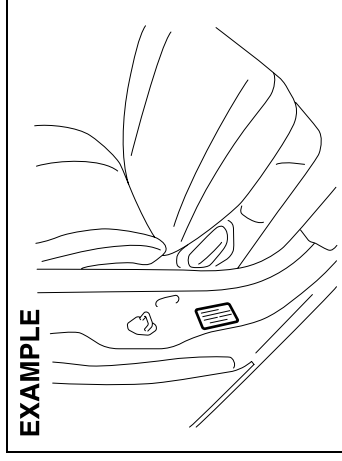


**Steering wheel play "c":**  
0 – 30 mm (0.0 – 1.2 in.)

Check the play of the steering wheel by gently turning it from left to right and measuring the distance that it moves before you feel slight resistance. The play should be between the specified values.

Check that the steering wheel turns easily and smoothly without rattling by turning it all the way to the right and to the left while driving very slowly in an open area. If the amount of free play is outside the specification or you find anything else to be wrong, an inspection must be performed by your MARUTI SUZUKI Authorized workshop.

### Tires



The front and rear tire pressure specifications for your vehicle are listed on the Tire Information Label. Both the front and rear tires should have the specified tire pressure. Note that the value does not apply to the compact spare tire, if equipped.

## INSPECTION AND MAINTENANCE

### Tire Inspection

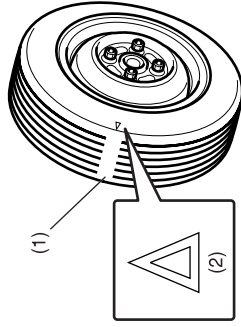
Inspect your vehicle's tires at least once a month by performing the following checks:

- 1) Measure the air pressure with a tire gauge. Adjust the pressure if necessary. Remember to check the spare tire, too.

#### **▲ WARNING**

- Air pressures should be checked when the tires are cold or you may get inaccurate readings.
- Check the inflation pressure from time to time while inflating the tire gradually, until the specified pressure is obtained.
- Never underinflate or overinflate the tires.  
Underinflation can cause unusual handling characteristics or can cause the rim to slip on the tire bead, resulting in an accident or damage to the tire or rim.  
Overinflation can cause the tire to burst, resulting in personal injury.  
Overinflation can also cause unusual handling characteristics which may result in an accident.

### EXAMPLE



52KM110

- (1) Tread wear indicator
- (2) Indicator location mark

- 2) Check that the depth of the tread groove is more than 1.6 mm (0.06 in.). To help you check this, the tires have molded-in tread wear indicators in the grooves. When the indicators appear on the tread surface, the remaining depth of the tread is 1.6 mm (0.06 in.) or less and the tire should be replaced.
- 3) Check for abnormal wear, cracks and damage. Any tires with cracks or other damage should be replaced. If any tires show abnormal wear, have them inspected by your MARUTI SUZUKI Authorized workshop.

#### **▲ WARNING**

Hitting curbs and running over rocks can damage tires and affect wheel alignment. Be sure to have tires and wheel alignment checked periodically by your MARUTI SUZUKI Authorized workshop.

- 4) Check for loose wheel nuts.
- 5) Check that there are no nails, stones or other objects sticking into the tires.

#### **▲ WARNING**

- Your MARUTI SUZUKI is equipped with tires which are all the same type and size. This is important to ensure proper steering and handling of the vehicle. Never mix tires of different size or type on the four wheels of your vehicle. The size and type of tires used should be only those approved by MARUTI SUZUKI as standard or optional equipment for your vehicle.
- Replacing the wheels and tires on your vehicle with certain combinations of aftermarket wheels and tires can significantly change the steering and handling characteristics of your vehicle.
- Therefore, use only those wheel and tire combinations approved by MARUTI SUZUKI as standard or optional equipment for your vehicle.

## INSPECTION AND MAINTENANCE

### Wheel Balancing

If the vehicle vibrates abnormally on smooth road, have the wheel balanced at Maruti Suzuki Authorized Workshop.

### Wheel Alignment

In case of abnormal tyre wear or pulling towards one side, have the wheel aligned at Maruti Suzuki Authorized Workshop.

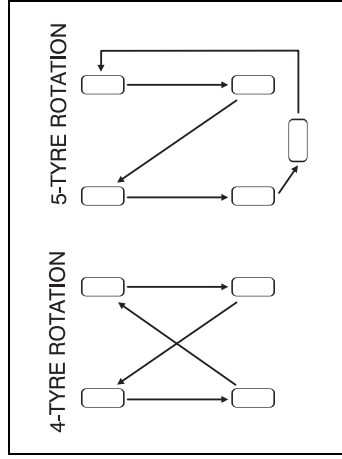
### Tubeless Tyres (If equipped)

The vehicle is equipped with Tubeless Tyres. In tubeless tyre, a thin layer of butyl rubber is used for lining the inside of the tubeless tyre. This layer is to prevent air loss and fulfilling the purpose of tube. The air pressure is maintained by the sealing between tyre bead and wheel rim. Tubeless tyres are having advantage of slow air loss and preventing sudden deflation while driving.

### CAUTION

Replacing the original tires with tires of a different size may result in false speedometer or odometer readings.

### Tire Rotation



60G-09-019E

To avoid uneven wear of your tyres and to prolong their life, rotate the tyres as illustrated. Tyres should be rotated as mentioned in periodic maintenance schedule. After rotation, adjust front and rear tyre pressures to the specification listed on your vehicle's Tyre Inflation Pressure Label.

### Care and maintenance tips for tubeless tyres

- 1) Always maintain recommended inflation pressure. Driving continuously at low inflation pressure can lead to tyre damage.
- 2) In case any leakage is found, check for any nail penetration/valve core damage or rim bent. Damaged wheel must not be used.
- 3) In case tyre has run at low pressure, it must be inspected for any defect.
- 4) Whenever new tyre is fitted, replace the valve.
- 5) If continuous high speed driving is required, increase tyres pressure by 5 psi over recommended inflation pressure.
- 6) Never run the tyre beyond TWI (Tread wear indicator). The tyre is recommended to be replaced when the remaining tread has worn to this point. The indicators are spaced across the tread around the tyre marked by a triangular symbol (TWI).
- 7) Always prefer tubeless tyre mounting machine. In case of manual mounting-tyre/wheel rim damage may occur.
- 8) In case of any problem, please get in touch with MARUTI SUZUKI Authorized workshop.

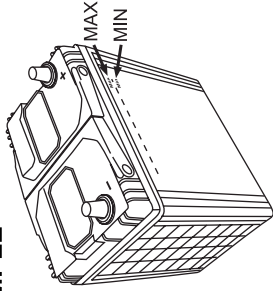
## INSPECTION AND MAINTENANCE

### Battery

#### **⚠ WARNING**

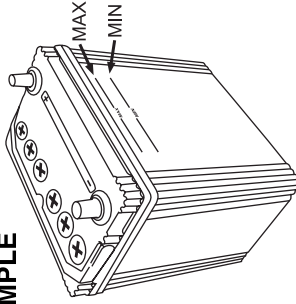
- Batteries produce flammable hydrogen gas. Keep flames and sparks away from the battery or an explosion may occur. Never smoke when working in the vicinity of the battery.
- When checking or servicing the battery, disconnect the negative cable. Be careful not to cause a short circuit by allowing metal objects to contact the battery posts and the vehicle at the same time.
- To avoid harm to yourself or damage to your vehicle or battery, follow the jump starting instructions in the "EMERGENCY SERVICE" section of this manual if it is necessary to jump start your vehicle.

#### EXAMPLE



67LH098

#### EXAMPLE



For maintenance-free battery (cap-less type), you need not add water. For traditional type battery, which has water filler caps, the level of the battery solution must be kept between the "MAX" and the "MIN" levels at all times. If the level is found to be below the "MIN" level, add distilled water to the "MAX" level. You should periodically check the battery, battery terminals, and battery hold-down bracket for corrosion. Remove corrosion using a stiff brush and ammonia mixed with water, or baking soda mixed with water. After removing corrosion, rinse with clean water.

If your vehicle is not going to be driven for a month or longer, disconnect the cable from the negative terminal of the battery to help prevent discharge.

## INSPECTION AND MAINTENANCE

### Fuses in the Engine Compartment

### Fuses

Your vehicle has three types of fuses, as described below:

#### Main fuse

The main fuse takes current directly from the battery.

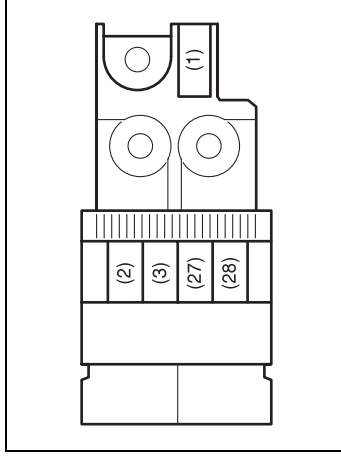
#### Primary fuses

These fuses are between the main fuse and individual fuses, and are for electrical load groups.

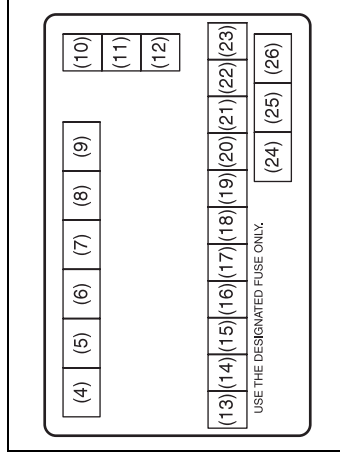
#### Individual fuses

These fuses are for individual electrical circuits.

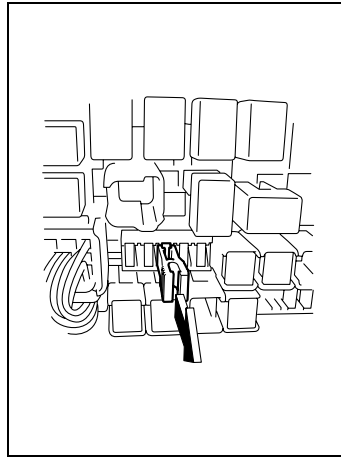
To remove a fuse, use the fuse puller provided in the fuse box.



68KH076



68KH077



63J095

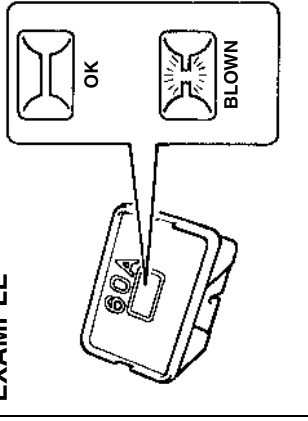
MAIN FUSE/PRIMARY FUSE	
(1)	80A All electric load
(2)	50A Dome, Tail light, Rear defogger, Door lock
(3)	50A Power window, Heater, Wiper, Ignition
(4)	– Front fog light relay
(5)	– Starting motor relay
(6)	– CNG VLV relay (if equipped)
(7)	– Blank
(8)	– Air compressor relay
(9)	– Blank
(10)	30A ABS control module fuse 2
(11)	40A Power steering fuse
(12)	40A ABS control module fuse 1
(13)	30A Ignition switch fuse
(14)	10A Air compressor fuse
(15)	7.5A CNG VLV fuse (if equipped)
(16)	15A Front fog light fuse
(17)	30A Radiator fan fuse
(18)	– Blank
(19)	15A Headlight (Left) fuse
(20)	15A Headlight (Right) fuse
(21)	– Blank

## INSPECTION AND MAINTENANCE

(22)	30A	Starting motor fuse
(23)	15A	Fuel injection fuse
(24)	—	Radiator fan relay
(25)	—	Fuel pump relay
(26)	—	Main relay
(27)	80A	Head light, Air compressor, Front fog light, Radiator fan
(28)	80A	Power steering, ABS

The main fuse, primary fuses and some of the individual fuses are located in the engine compartment. If the main fuse blows, no electrical component will function. If a primary fuse blows, no electrical component in the corresponding load group will function. When replacing the main fuse, a primary fuse or an individual fuse, use a MARUTI genuine replacement. To remove a fuse, use the fuse puller provided in the fuse box. The amperage of each fuse is shown in the back of the fuse box cover.

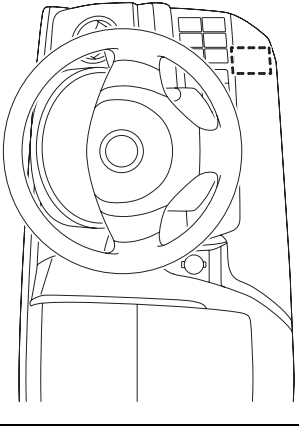
### EXAMPLE



60G111

### Fuses under the Dash Board

#### EXAMPLE



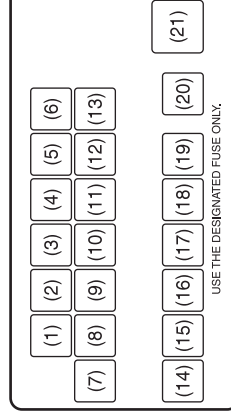
67LH083

### ▲ WARNING

If the main fuse or a primary fuse blows, be sure to have your vehicle inspected by a MARUTI SUZUKI Authorized workshop. Always use a MARUTI genuine replacement. Never use a substitute such as a wire even for a temporary repair, or extensive electrical damage and a fire can result.

#### NOTE:

Make sure that the fuse box always carries spare fuses and fuse puller.



USE THE DESIGNATED FUSE ONLY.

67LH102

## INSPECTION AND MAINTENANCE

### Bulb Replacement

#### ▲ WARNING

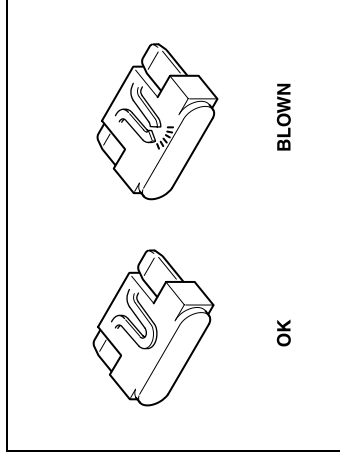
- Light bulbs can be hot enough to burn your finger right after being turned off. This is true especially for halogen headlight bulbs. Replace the bulbs after they become cool enough.
- The headlight bulbs are filled with pressurized halogen gas. They can burst and injure you if they are hit or dropped. Handle them carefully.

#### CAUTION

The oils from your skin may cause a halogen bulb to overheat and burst when the lights are on. Grasp a new bulb with a clean cloth.

#### CAUTION

Frequent replacement of a bulb indicates the need for an inspection of the electrical system. This should be carried out by your MARUTI SUZUKI Authorized workshop.



#### ▲ WARNING

Always be sure to replace a blown fuse with a fuse of the correct amperage. Never use a substitute such as aluminum foil or wire to replace a blown fuse. If you replace a fuse and the new one blows in a short period of time, you may have a major electrical problem. Have your vehicle inspected immediately by your MARUTI SUZUKI Authorized workshop.

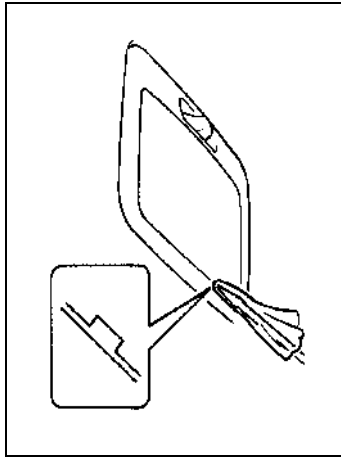
MAIN FUSE/PRIMARY FUSE	
(1)	10A Stop light
(2)	30A Blower motor
(3)	10A ST SIG
(4)	15A Accessory
(5)	10A Rear fog light
(6)	10A Tail light
(7)	7.5A CNG (if equipped)
(8)	10A Back-up light
(9)	10A ABS
(10)	10A Meter
(11)	15A Ignition coil
(12)	20A Wiper/Washer
(13)	10A IG2 SIG
(14)	10A IG1 SIG
(15)	10A Air bag
(16)	– Blank
(17)	20A Door lock
(18)	15A Horn/Hazard
(19)	15A Rear defogger
(20)	10A Dome
(21)	30A Power window

The fuse box is located under the driver's side of the dashboard. Remove the fuse box cover by pushing in at both ends and pulling off the cover.

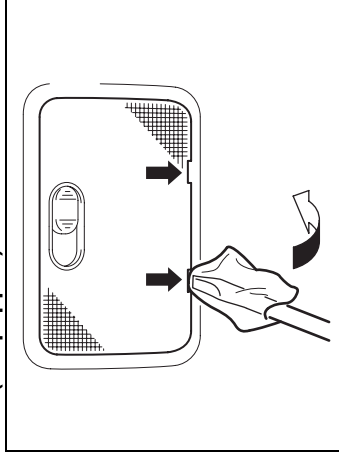
## INSPECTION AND MAINTENANCE

### Interior Light

Front



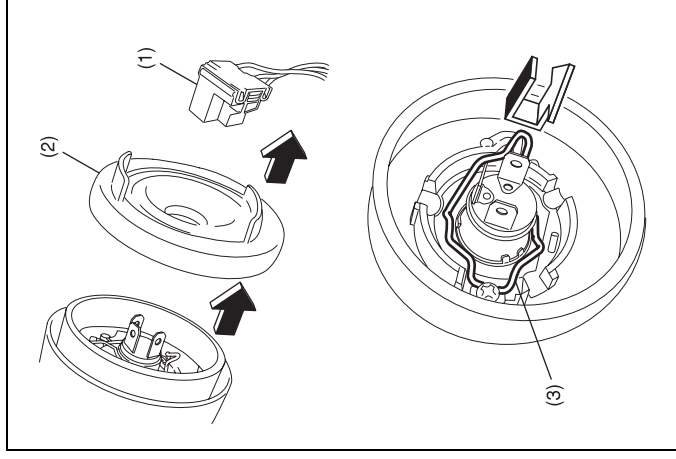
### Rear (if equipped)



Pull down the lens by using a flat blade screwdriver covered with a soft cloth as shown. To install it, simply push it back in.

The bulb can be removed by simply pulling it out. When replacing the bulb, make sure that the contact springs are holding the bulb securely.

### Headlight

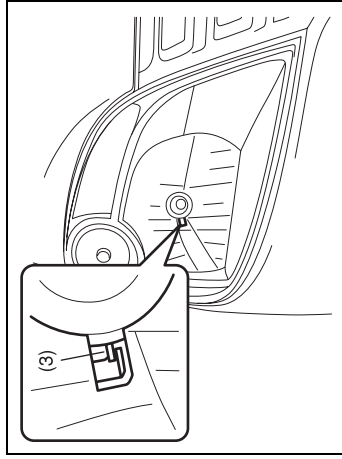


Open the engine hood. Disconnect the coupler (1). Remove the sealing rubber (2). Push the retaining spring (3) forward and unhook it. Then remove the bulb. Install a new bulb in the reverse order of removal.



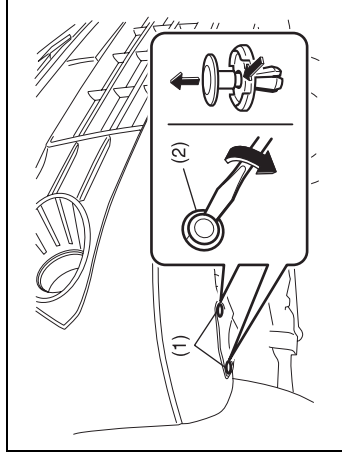
## INSPECTION AND MAINTENANCE

### Front Fog Light (if equipped)



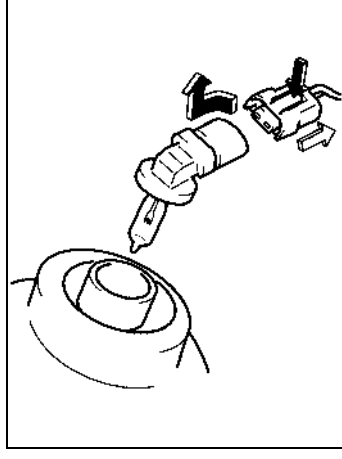
67LH087

**NOTE:**  
You can see the position of retaining spring (3) from the hole of headlight.



67LH086

1) Insert a flat blade screwdriver into the hole (2) and remove the clips (1) by twist the driver as shown in the illustration.

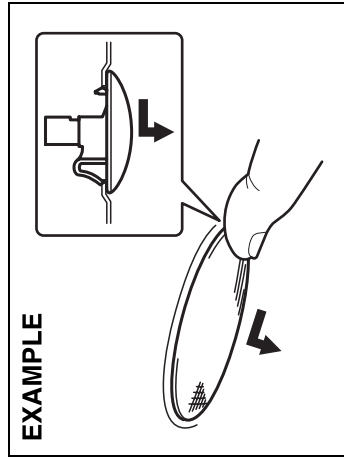


78F072

2) Open the fender cover. Disconnect the coupler with pushing the lock release. Turn the bulb holder counterclockwise and remove it.

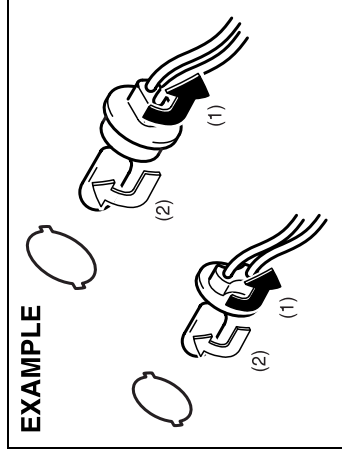
## INSPECTION AND MAINTENANCE

### Side Turn Signal Light



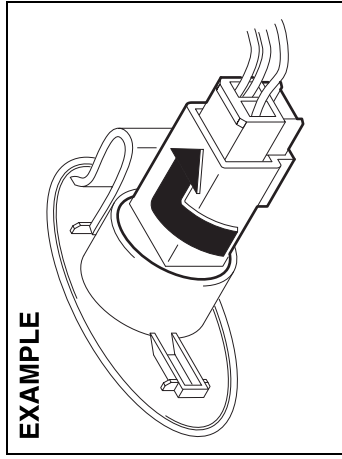
Remove the light housing by sliding to left with your finger.

### Other General Lights Bulb holder



- (1) Removal
- (2) Installation

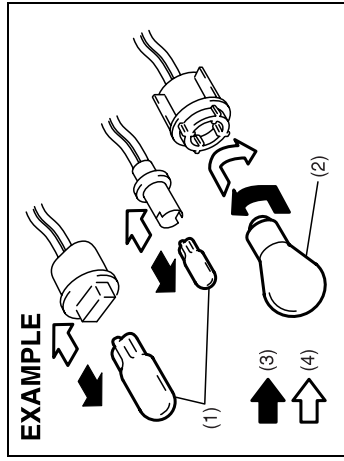
To remove a bulb holder from a light housing, turn the holder counterclockwise and pull it out. To install the holder, push the holder in and turn it clockwise.



To remove a bulb holder from a light housing, turn the holder clockwise and pull it out. Then remove the bulb. Install a new bulb in the reverse order.

## INSPECTION AND MAINTENANCE

### Bulb



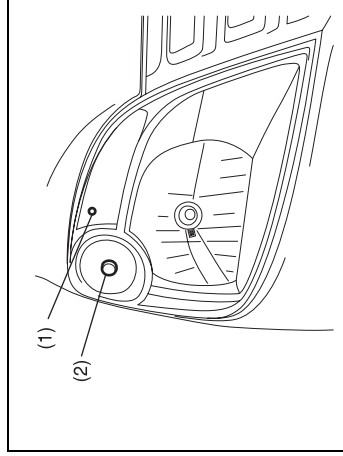
- (3) Removal
- (4) Installation

There are two types of bulb, "Full glass type" (1) and "Glass/metal type" (2). To remove and install a full glass type bulb (1), simply pull out or push in the bulb.

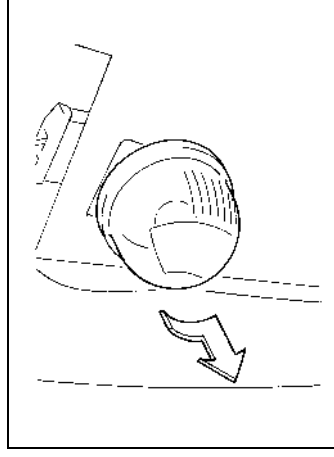
To remove a glass metal type bulb (2) from a bulb holder, push in the bulb and turn it counterclockwise. To install a new bulb, push it in and turn it clockwise.

You can access the individual bulb or bulb holders as follows.

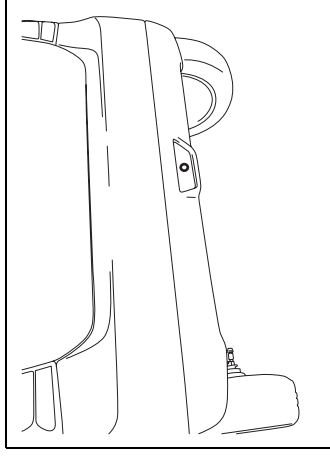
### Front position light (1) Front turn signal light (2)



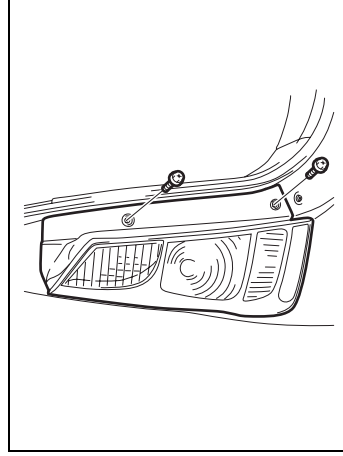
### License plate light



### Rear fog light (if equipped)



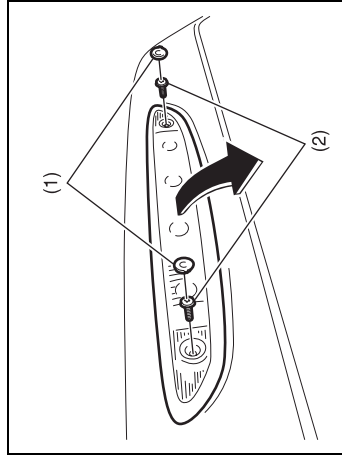
### Rear combination light



Since special procedures are required, we recommend you take your vehicle to your MARUTI SUZUKI Authorized workshop for bulb replacement.

## INSPECTION AND MAINTENANCE

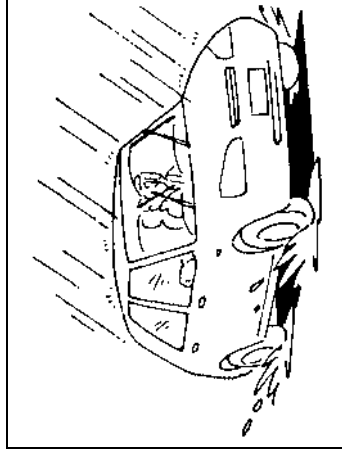
### High-mount stop light (if equipped)



To remove a high-mounted stop light housing the following procedure:

- 1) Remove the covers (1). Remove the bolts (2) and remove the high-mounted stop light housing from the tailgate.

### Wiper Blades



If the wiper blades become brittle or damaged, or make streaks when wiping, replace the wiper blades.

To install new wiper blades, follow the procedures below.

#### CAUTION

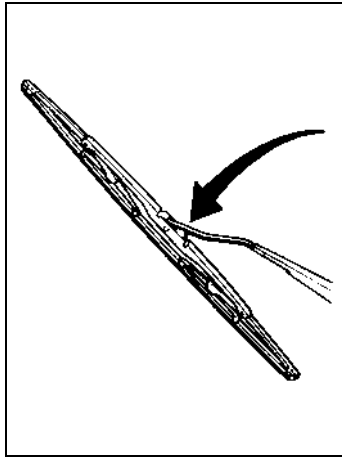
**To avoid scratching or breaking the window, do not let the wiper arm strike the window while replacing the wiper blade.**

#### NOTE:

*Some wiper blades may be different from the ones described here depending on vehicle specifications. If so, consult your MARUTI SUZUKI Authorized workshop for proper replacement method.*

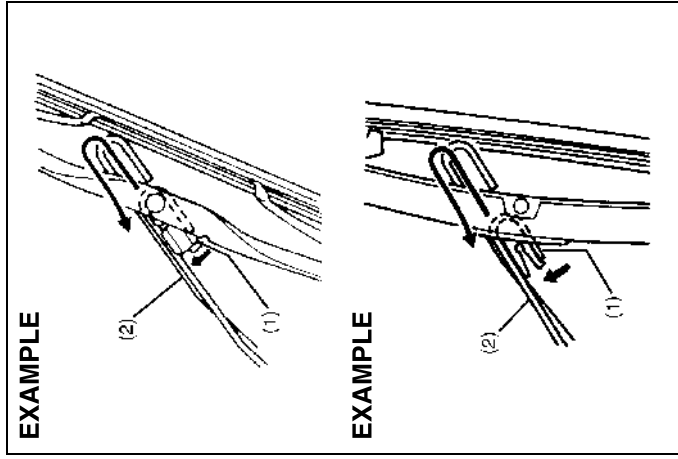
## INSPECTION AND MAINTENANCE

For windshield wipers:



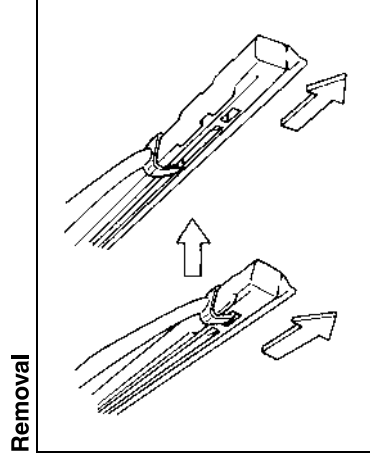
70G119

- 1) Hold the wiper arm away from the window.

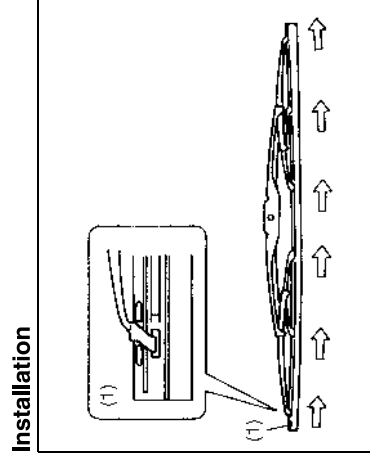


54G130

- 2) Squeeze lock (1) towards wiper arm (2) and remove the wiper frame from the arm as shown.
- 3) Unlock the lock end of the wiper blade and slide the blade out as shown.



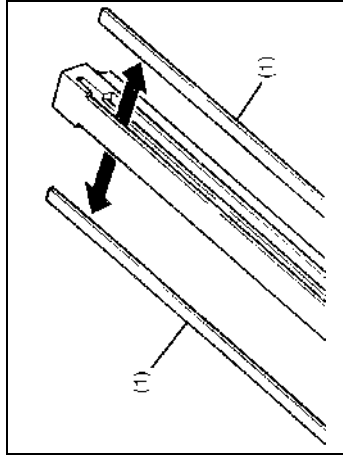
60A260



54G132

- (1) Locked end

## INSPECTION AND MAINTENANCE



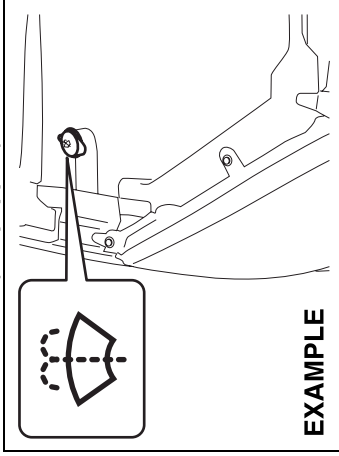
54G135

(1) Retainer

- 4) If the new blade is provided without the two metal retainers, move them from the old blade to the new one.
- 5) Install the new blade in the reverse order of removal, with the locked end positioned toward the wiper arm. Make sure the blade is properly retained by all the hooks. Lock the blade end into place.
- 6) Reinstall wiper frame to arm, making sure that the lock lever is snapped securely into the arm.

## Windshield Washer Fluid

Front and rear (if equipped)



67LH093

Check that there is washer fluid in the tank. Refill it if necessary. Use a good quality windshield washer fluid, diluted with water as necessary.

### ⚠ WARNING

**Do not use "antifreeze" solution in the windshield washer reservoir. This can severely impair visibility when sprayed on the windshield, and can also damage your vehicle's paint.**

### CAUTION

**Damage may result if the washer motor is operated with no fluid in the washer tank.**

## Air Conditioning System

If you do not use the air conditioner for a long period, such as during winter, it may not give the best performance when you start using it again. To help maintain optimum performance and durability of your air conditioner, it needs to be run periodically. Operate the air conditioner at least once a month for one minute with the engine idling. This circulates the refrigerant and oil and helps protect the internal components.

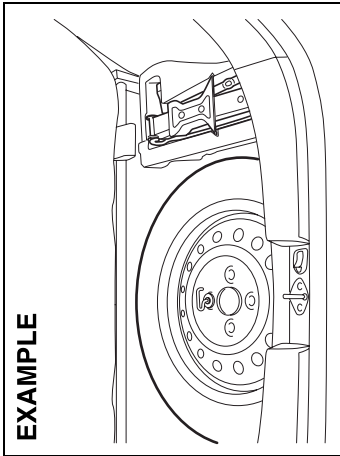
EMERGENCY SERVICE

**EMERGENCY SERVICE**

Tire Changing Tool .....7-1  
Jacking Instructions .....7-1  
Changing Wheels .....7-3  
Jump Starting Instructions .....7-4  
Towing .....7-5  
If the Starter Does Not Operate .....7-6  
If the Engine is Flooded .....7-6  
If the Engine Overheats .....7-7

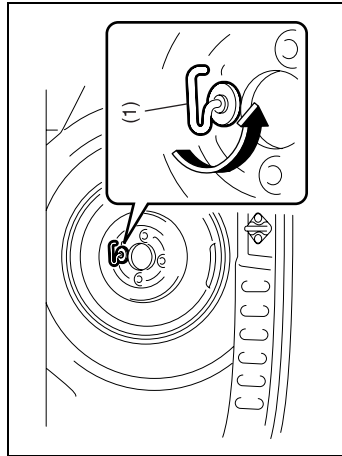
## EMERGENCY SERVICE

### Tire Changing Tool



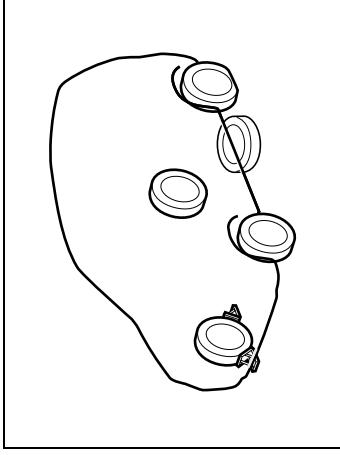
EXAMPLE

The jack, wheel wrench and jack handle are stowed in the luggage compartment.



To remove the spare tire, turn its bolt (1) counterclockwise and remove it.

### Jacking Instructions



#### **▲ WARNING**

The jack should be used only to change wheels. It is important to read the jacking instructions in this section before attempting to use the jack.

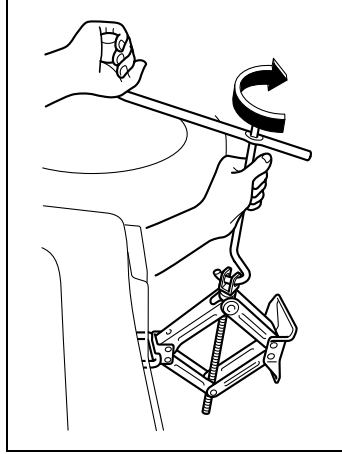
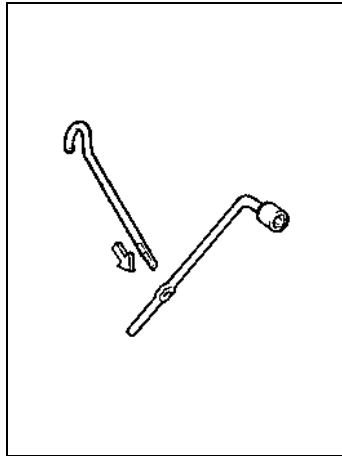
#### **▲ WARNING**

After using the tire changing tools, be sure to stow them securely or they can cause injury if an accident occurs.

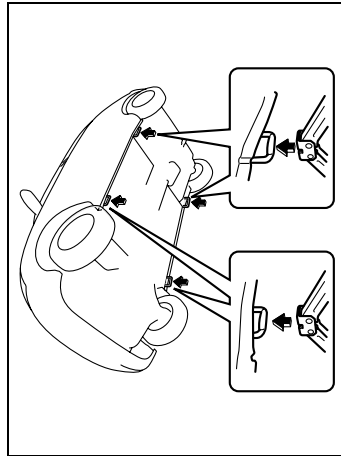
- 1) Place the vehicle on level, hard ground.
- 2) Set the parking brake firmly and shift into "P" (Park) if your vehicle has an automatic transaxle, or shift into "R" (Reverse) if your vehicle has a manual transaxle.
- 3) Turn on the hazard warning flasher if your vehicle is near traffic.
- 4) Block the front and rear of the wheel diagonally opposite of the wheel being lifted.
- 5) Place the spare wheel near the wheel being lifted as shown in the illustration in case that the jack slips.



## EMERGENCY SERVICE



- 6) Position the jack vertically and raise the jack by turning the jack handle clockwise until the jack head groove fits around the jacking bar beneath the vehicle body. See illustrations.
- 7) Continue to raise the jack slowly and smoothly until the tire clears the ground. Do not raise the vehicle more than necessary.



### **▲ WARNING**

- Use the jack only to change wheels on level, hard ground.
- Never jack up the vehicle on an inclined surface.
- Never raise the vehicle with the jack in a location other than the specified jacking point (shown in the illustration) near the wheel to be changed.
- Make sure that the jack is raised at least 51 mm (2 inches) before it contacts the Jack Bracket. Use of the jack when it is within 51 mm (2 inches) of being fully collapsed may result in failure of the jack.
- Never get under the vehicle when it is supported by the jack.
- Never run the engine when the vehicle is supported by the jack and never allow passengers to remain in the vehicle.

## EMERGENCY SERVICE

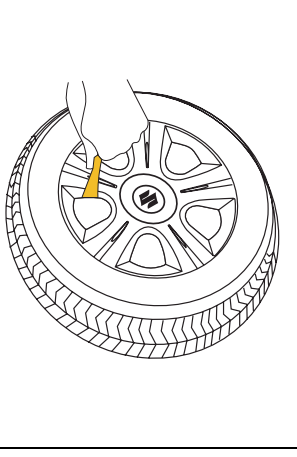
### Changing Wheels

To change a wheel, use the following procedure:

- 1) Clear all passengers and luggage from the vehicle.
- 2) Remove the jack, tools and spare wheel from the vehicle.
- 3) Loosen, but do not remove the wheel nuts.
- 4) Jack up the vehicle.
- 5) Remove the wheel nuts and wheel.
- 6) Before installing the new wheel, clean any mud or dirt off from the surface of the wheel and hub with a clean cloth. Clean the hub carefully; it may be hot from driving.
- 7) Install the new wheel and replace the wheel nuts with their cone shaped end facing the wheel. Tighten each nut snugly by hand until the wheel is securely seated on the hub.

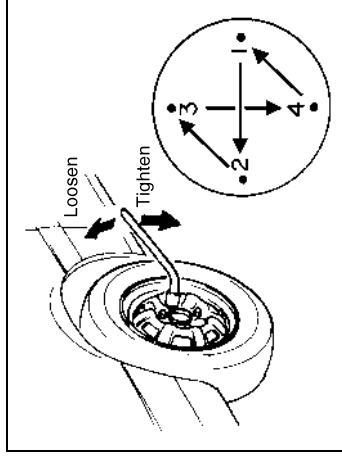
### Full Wheel Cover (if equipped)

#### EXAMPLE



60G309

Insert a piece of cloth between the spokes of the wheel cover and try to pull the cover outward (as shown in figure). Take out the detached wheel cover from the wheel rim. For installation first match the slot at the wheel cover with the air filling nozzle of the wheel. Apply equal pressure at the circumference of the wheel cover to fix it in the wheel rim.



54G116

#### Tightening torque for wheel nut 105 Nm (10.5 kg-m, 76 lb-ft)

- 8) Lower the jack and fully tighten the nuts in a crisscross fashion with a wrench as shown in the illustration.

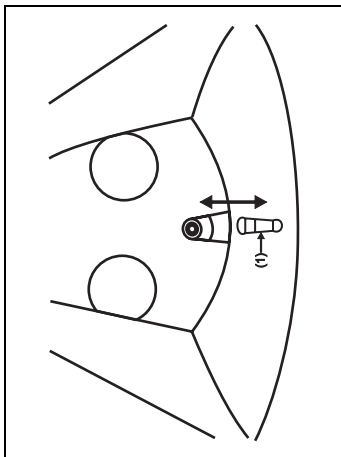
#### **▲ WARNING**

Use genuine wheel nuts and tighten them to the specified torque as soon as possible after changing wheels. Incorrect wheel nuts or improperly tightened wheel nuts may come loose or fall off, which can result in an accident. If you do not have a torque wrench, have the wheel nut torque checked by a MARUTI SUZUKI Authorized workshop.

## Jump Starting Instructions

### ▲ WARNING

- Never attempt to jump start your vehicle if the battery appears to be frozen. Batteries in this condition may explode or rupture if jump starting is attempted.
- When making jump lead connections, be certain that your hands and the jump leads remain clear from pulleys, belts, or fans.
- Batteries produce flammable hydrogen gas. Keep flames and sparks away from the battery or an explosion may occur. Never smoke when working in the vicinity of the battery.
- If the booster battery you use for jump starting is installed in another vehicle, make sure the two vehicles are not touching each other.
- If your battery discharges repeatedly, for no apparent reason, have your vehicle inspected by a MAR-UTI SUZUKI Authorized workshop.
- To avoid harm to yourself or damage to your vehicle or battery, follow the jump starting instructions below precisely and in order. If you are in doubt, call for qualified road service.



54G117

When installing the cover, make sure that air filling nozzle is aligned with mark (1) as shown in the Figure.

### CAUTION

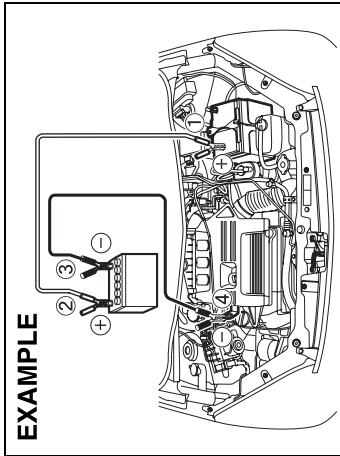
Your vehicle should not be started by pushing or towing. This starting method could result in permanent damage to the catalytic converter. Use jump leads to start a vehicle with a weak or flat battery.

### When Jump Starting Your Vehicle, Use the Following Procedure:

- 1) Use only a 12-volt battery to jump start your vehicle. Position the good 12-volt battery close to your vehicle so that the jump leads will reach both batteries. When using a battery installed on another vehicle, DO NOT LET THE VEHICLES TOUCH. Set the parking brakes fully on both vehicles.
- 2) Turn off all vehicle accessories, except those necessary for safety reasons (for example, headlights or hazard lights).

## EMERGENCY SERVICE

### EXAMPLE



3) Make jump lead connections as follows:

1. Connect one end of the first jump lead to the positive (+) terminal of the flat battery (1).
2. Connect the other end to the positive (+) terminal of the booster battery (2).
3. Connect one end of the second jump lead to the negative (-) terminal of the booster battery (2).
4. Make the final connection to an unpainted, heavy metal part (i.e. engine hook (3)) of the engine of the vehicle with the flat battery (1).

### ▲ WARNING

**Never connect the jump lead directly to the negative (-) terminal of the discharged battery, or an explosion may occur.**

- 4) If the booster battery you are using is fitted to another vehicle, start the engine of the vehicle with the booster battery. Run the engine at moderate speed.
- 5) Start the engine of the vehicle with the flat battery.
- 6) Remove the jump leads in the exact reverse order in which you connected them.

### Towing

If you need to have your vehicle towed, contact a professional service. Your dealer can provide you with detailed towing instructions.

### CAUTION

**To help avoid damage to your vehicle during towing, proper equipment and towing procedures must be used.**

## EMERGENCY SERVICE

### 2-Wheel Drive (2WD) Manual Transmission

Manual transmission vehicles may be towed using either of the following methods.

- 1) From the front, with the front wheels lifted and the rear wheels on the ground. Before towing, make sure that the parking brake is released.
- 2) From the rear, with the rear wheels lifted and the front wheels on the ground, provided the steering and drivetrain are in operational condition. Before towing, make sure that transmission is in neutral, the steering wheel is unlocked (the ignition key should be in the "ACC" position), and the steering wheel is secured with a clamping device designed for towing service.

#### CAUTION

The steering column is not strong enough to withstand shocks transmitted from the front wheels during towing. Always unlock the steering wheel before towing.

### If the Starter Does Not Operate

- 1) Try turning the ignition switch to the "START" position with the headlights turned on to determine the battery condition. If the headlights go excessively dim or go off, it usually means that either the battery is flat or the battery terminal contact is poor. Recharge the battery or correct battery terminal contact as necessary.
- 2) If the headlights remain bright, check the fuses. If the reason for failure of the starter is not obvious, there may be a major electrical problem. Have the vehicle inspected by your MARUTI SUZUKI Authorized workshop.

### If the Engine is Flooded

If the engine is flooded with gasoline, it may be hard to start. If this happens, press the accelerator pedal all the way to the floor and hold it there while cranking the engine. (Do not operate the starter motor for more than 15 seconds).

## EMERGENCY SERVICE

### If the Engine Overheats

The engine could overheat temporarily under severe driving conditions. If the high engine coolant temperature warning light comes on as overheating during driving:

- 1) Turn off the air conditioner, if equipped.
- 2) Take the vehicle to a safe place and park.
- 3) Let the engine run at the normal idle speed for a few minutes until the high engine coolant temperature warning light goes off.

#### **▲ WARNING**

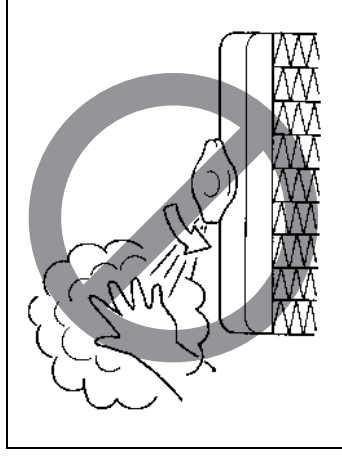
**If you see or hear escaping steam, stop the vehicle in a safe place and immediately turn off the engine to let it cool. Do not open the hood when steam is present. When the steam can no longer be seen or heard, open the hood to see if the coolant is still boiling. If it is, you must wait until it stops boiling before you proceed.**

If the high engine coolant temperature warning light does not go off:

- 1) Turn off the engine and check that the water pump belt and pulleys are not damaged or slipping. If any abnormality is found, correct it.

- 2) Check the coolant level in the reservoir. If it is found to be lower than the "LOW" line, look for leaks at the radiator, water pump, and radiator and heater hoses. If you locate any leaks that may have caused the overheating, do not run the engine until these problems have been corrected.

- 3) If you do not find a leak, carefully add coolant to the reservoir and then the radiator, if necessary. (Refer to "Engine Coolant" in the "INSPECTION AND MAINTENANCE" section.)



65D614

#### **▲ WARNING**

- It is hazardous to remove the radiator cap (or degassing tank cap for a diesel engine) when the water temperature is high, because scalding fluid and steam may be blown out under pressure. The cap should only be taken off when the coolant temperature has lowered.
- To help prevent personal injury, keep hands, tools and clothing away from the engine cooling fan and air-conditioner fan (if equipped). These electric fans can automatically turn on without warning.

APPEARANCE CARE

---

**APPEARANCE CARE**

Corrosion Prevention ..... 8-1  
Vehicle Cleaning ..... 8-2

## APPEARANCE CARE

### Corrosion Prevention

It is important to take good care of your vehicle to protect it from corrosion. Listed below are instructions for how to maintain your vehicle to prevent corrosion. Please read and follow these instructions carefully.

### Important Information About Corrosion

#### Common causes of corrosion

- 1) Accumulation of road salt, dirt, moisture, or chemicals in hard-to-reach areas of the vehicle underbody or frame.
- 2) Chipping, scratches and any damage to treated or painted metal surfaces resulting from minor accidents or abrasion by stones and gravel.

#### Environmental conditions which accelerate corrosion

- 1) Road salt, dust control chemicals, sea air or industrial pollution will all accelerate the corrosion of metal.
- 2) High humidity will increase the rate of corrosion particularly when the temperature range is just above the freezing point.
- 3) Moisture in certain areas of a vehicle for an extended period of time may promote corrosion even though other body sections may be completely dry.
- 4) High temperatures will cause an accelerated rate of corrosion to parts of the

vehicle which are not well ventilated to permit quick drying.

This information illustrates the necessity of keeping your vehicle (particularly the underbody) as clean and dry as possible. It is equally important to repair any damage to the paint or protective coatings as soon as possible.

#### How to Help Prevent Corrosion

##### Wash your vehicle frequently

The best way to preserve the finish on your vehicle and to help avoid corrosion is to keep it clean with frequent washing.

Wash your vehicle at least once during the winter and once immediately after the winter. Keep your vehicle, particularly the underside, as clean and dry as possible. If you frequently drive on salted roads, your vehicle should be washed at least once a month during the winter. If you live near the ocean, your vehicle should be washed at least once a month throughout the year.

For washing instructions, refer to the "Vehicle Cleaning" section.

##### Remove foreign material deposits

Foreign material such as salts, chemicals, road oil or tar, tree sap, bird droppings and industrial fall-out may damage the finish of your vehicle if it is left on painted surfaces. Remove these types of deposits as quickly as possible. If these deposits are difficult to wash off, an additional cleaner may be

required. Be sure that any cleaner you use is not harmful to painted surfaces and is specifically intended for your purposes. Follow the manufacturer's directions when using these special cleaners.

##### Repair finish damage

Carefully examine your vehicle for damage to the painted surfaces. Should you find any chips or scratches in the paint, touch them up immediately to prevent corrosion from starting. If the chips or scratches have gone through to the bare metal, have a qualified body shop make the repair.

##### Keep passenger and luggage compartments clean

Moisture, dirt or mud can accumulate under the floor mats and may cause corrosion. Occasionally, check under these mats to ensure that this area is clean and dry. More frequent checks are necessary if the vehicle is used off road or in wet weather.

Certain cargos such as chemicals, fertilizers, cleaners, salts, etc. are extremely corrosive by nature. These products should be transported in sealed containers. If a spill or leak does occur, clean and dry the area immediately.



## APPEARANCE CARE

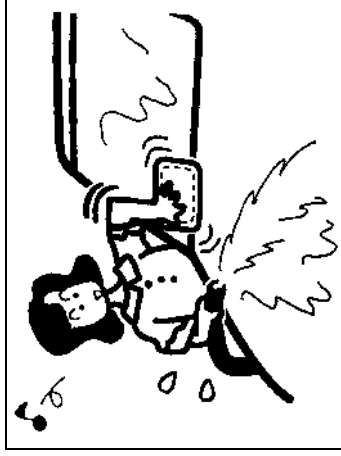
### Vehicle Cleaning

#### Store your vehicle in a dry, well-ventilated area

Do not park your vehicle in a damp, poorly ventilated area. If you often wash your vehicle in the garage or if you frequently drive it in when wet, your garage may be damp. The high humidity in the garage may cause or accelerate corrosion. A wet vehicle may corrode even in a heated garage if the ventilation is poor.

#### **▲ WARNING**

**Do not apply additional undercoating or rust preventive coating on or around exhaust system components such as the catalytic converter, exhaust pipes, etc. A fire could be started if the undercoating substance becomes overheated.**



76G044S

#### **▲ WARNING**

**When cleaning the interior or exterior of the vehicle, NEVER USE flammable solvents such as lacquer thinners, gasoline, benzene or cleaning materials such as bleaches or strong household detergents. The materials could cause personal injury or damage to the vehicle.**

### Cleaning the Interior

#### Vinyl upholstery

Prepare a solution of soap or mild detergent mixed with warm water. Apply the solution to the vinyl with a sponge or soft cloth and let it soak for a few minutes to loosen dirt.

Rub the surface with a clean, damp cloth to remove dirt and the soap solution. If some dirt still remains on the surface, repeat this procedure.

#### Fabric upholstery

Remove loose dirt with a vacuum cleaner. Using a mild soap solution, rub stained areas with a clean damp cloth. To remove soap, rub the areas again with a cloth dampened with water. Repeat this until the stain is removed, or use a commercial fabric cleaner for tougher stains. If you use a fabric cleaner, carefully follow the manufacturer's instructions and precautions.

#### Seat belts

Clean seat belts with a mild soap and water. Do not use bleach or dye on the belts. They may weaken the fabric in the belts.

#### Vinyl floor mats

Ordinary dirt can be removed from vinyl with water or mild soap. Use a brush to help loosen dirt. After the dirt is loosened, rinse the mat thoroughly with water and dry it in the shade.

## APPEARANCE CARE

### Carpets

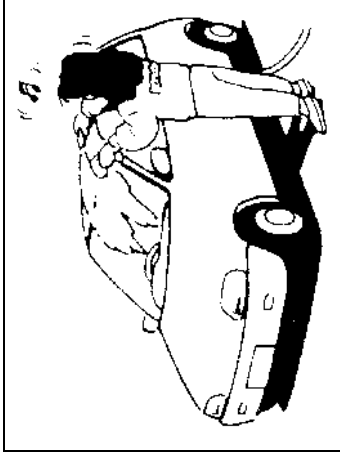
Remove dirt and soil as much as possible with a vacuum cleaner. Using a mild soap solution, rub stained areas with a clean damp cloth. To remove soap, rub the areas again with a cloth dampened with water. Repeat this until the stain is removed, or use a commercial carpet cleaner for tougher stains. If you use a carpet cleaner, carefully follow the manufacturer's instructions and precautions.

### Cleaning the Exterior

#### CAUTION

**It is important that your vehicle be kept clean and free from dirt. Failure to keep your vehicle clean may result in fading of the paint or corrosion to various parts of the vehicle body.**

### Washing



60B212S

#### ▲ WARNING

- Never attempt to wash and wax your vehicle with the engine running.
- When cleaning the underside of the body and fender, where there may be sharp-edged parts, you should wear gloves and a long-sleeved shirt to protect your hands and arms from being cut.
- After washing your vehicle, carefully test the brakes before driving to make sure they have maintained their normal effectiveness.

When washing the vehicle, park it where direct sunlight does not fall on it and follow the instructions below:

- 1) Flush the underside of body and wheel housings with pressurized water to remove mud and debris. Use plenty of water.

#### CAUTION

- When washing the vehicle:**
- Avoid directing steam or hot water of more than 80°C (176°F) on plastic parts.
  - To avoid damaging engine components, do not use pressurized water in the engine compartment.

- 2) Rinse the body to loosen the dirt. Remove dirt and mud from the body exterior with running water. You may use a soft sponge or brush. Do not use hard materials which can scratch the paint or plastic. Remember that the headlight covers or lenses are made of plastic in many cases.

#### CAUTION

**To avoid damage to the paint or plastic surface, do not wipe the dirt off without ample water. Be sure to follow above procedure.**

- 3) Wash the entire exterior with a mild detergent or car wash soap using a

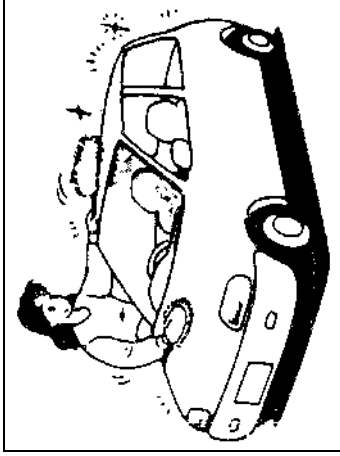
sponge or soft cloth. The sponge or cloth should be frequently soaked in the soap solution.

**CAUTION**

**When using a commercial car wash product, observe the cautions specified by the manufacturer. Never use strong household detergents or soaps.**

- 4) Once the dirt has been completely removed, rinse off the detergent with running water.
- 5) After rinsing, wipe off the vehicle body with a wet chamamois or cloth and allow it to dry in the shade.
- 6) Check carefully for damage to painted surfaces. If there is any damage, "touch-up" the damage following the procedure below:
  1. Clean all damaged spots and allow them to dry.
  2. Stir the paint and "touch-up" the damaged spots lightly using a small brush.
  3. Allow the paint to dry completely.

**Waxing**



60BZ11S

After washing the vehicle, waxing and polishing are recommended to further protect and beautify the paint.

- Only use waxes and polishes of good quality.
- When using waxes and polishes, observe the precautions specified by the manufacturers.

**CAUTION**

**If you use an automatic car wash, make sure that your vehicle's body parts, such as spoilers, cannot be damaged. If you are in doubt, consult the car wash operator for advice.**



GENERAL INFORMATION

---

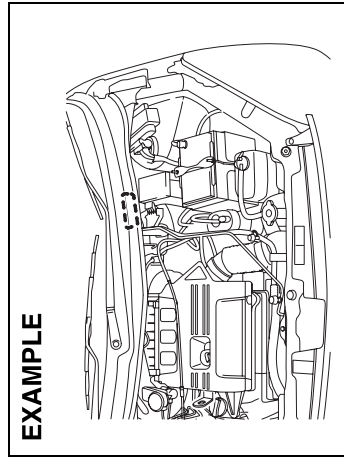
**GENERAL INFORMATION**

Vehicle Identification ..... 9-1

## GENERAL INFORMATION

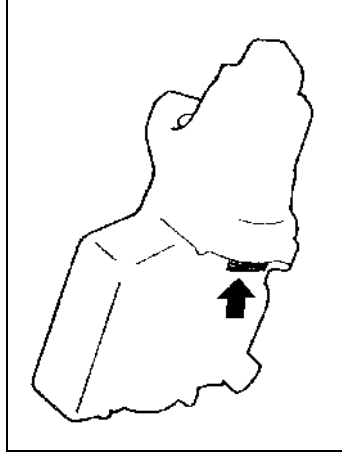
### Vehicle Identification

#### Chassis Serial Number



The chassis and/or engine serial numbers are used to register the vehicle. They are also used to assist your dealer when ordering or referring to special service information. Whenever you have occasion to consult your MARUTI SUZUKI Authorized workshop, remember to identify your vehicle with this number. Should you find the number difficult to read, you will also find it on the identification plate.

#### Engine Serial Number



The engine serial number is stamped on the cylinder block as shown in the illustration.

## SPECIFICATIONS

### SPECIFICATIONS

**NOTE:**  
Specifications are subject to change without notice.

ITEM: Dimensions	UNIT: mm	
Overall length	3595	
Overall width	1475 - 1495	
Overall height	1670 - 1700	
Wheelbase	2400	
Track	Front	1295
	Rear	1290
Ground clearance	165	

ITEM: Mass (weight)	UNIT: kg	
Curb mass (weight)	860 - 885	
Gross vehicle mass (weight) rating	1350	
Gross axle mass (weight) rating	Front	700
	Rear	720

10

## SPECIFICATIONS

<b>ITEM: Engine</b>	
Type	K10B (DOHC)
Number of cylinders	3
Bore	73.0 mm
Stroke	79.5 mm
Piston displacement	998 cm <sup>3</sup>
Compression ratio	10 : 1

<b>ITEM: Electrical</b>		
Standard spark plug	Nickel plug	NGK KR6A-10
Battery	12V 38B20L	
Fuses	See "INSPECTION AND MAINTENANCE" section.	



**SPECIFICATIONS**

<b>ITEM: Lights</b>	<b>WATTAGE</b>	<b>BULB No.</b>
Headlight	12V 60/55W	H4
Turn signal light	Front	PY21W
	Rear	PY21W
Side turn signal light	12V 5W	W5W
Position light	12V 5W	W5W
Brake/tail light	12V 21/5W	P21/5W
License plate light	12V 5W	W5W
Reversing light	12V 16W	W16W
Interior light	Front	-
	Rear	-
Front fog light	12V 35W	H8
Rear fog light	12V 21W	P21W
High mount stop light	12V 5W	W5W

## SPECIFICATIONS

<b>ITEM: Wheel and Suspension</b>	
Tire size, front and rear	145/80R13 (For LX, LXi) 155/65R14 (For VXi )
Rim size	155 tire: 14 x 4 1/2J, 145 tire: 13 x 4J
Tire pressures	For the specified tire pressure, see the Tire Information Label located on the driver's door lock pillar.

<b>ITEM: Steering</b>		
Toe-in	Each wheel	3 min ± 8 min
	Total wheel	6 min ± 5 min
Camber angle		0° 18' ± 1°
Caster angle		3° 52' ± 2°

<b>ITEM: Capacities (approx.)</b>	
Coolant (including reservoir tank)	4.3 L
Fuel tank	35 L
Engine oil	2.9 L (replacement with oil filter)
Transmission oil	2.2 L