
TABLE OF CONTENTS

MAINTENANCE SERVICE RECORD	1
WARRANTY AND EMISSION WARRANTY POLICY	2
BEFORE DRIVING	3
STEERING COLUMN CONTROLS	4
INSTRUMENT PANEL	5
OTHER CONTROLS AND EQUIPMENT	6
OPERATING YOUR VEHICLE	7
DRIVING TIPS	8
VEHICLE LOADING	9
INSPECTION AND MAINTENANCE	10
EMERGENCY SERVICE	11
BODY WORK CARE	12
GENERAL INFORMATION	13
SUPPLEMENTARY FOR AMBULANCE (EECO CARE)	14
FOR VEHICLE FITTED WITH CNG FUEL SYSTEM	15
SPECIFICATIONS	16

FOREWORD

This manual is an essential part of your vehicle and should be kept with the vehicle at all times. Please read this manual carefully and review it from time to time. It contains important information on maintenance. It is especially important that this manual remain with the vehicle at the time of resale. The next owner will need this information also.

You are invited to avail the three free inspection services as described in this manual. Three free inspection coupons are attached to this manual. Please show this manual to your dealer when you take your vehicle for any Service.

To prolong the life of your vehicle and reduce maintenance costs, the periodic maintenance must be carried out according to the "PERIODIC MAINTENANCE SCHEDULE" described in "INSPECTION AND MAINTENANCE" section of this manual. Periodic maintenance is essential for preventing trouble and accidents to ensure your satisfaction and safety.

Daily Inspection and Care as per "DAILY INSPECTION CHECKLIST" described in the "INSPECTION AND MAINTENANCE" section of this Manual is essential for prolonging the operating life of the vehicle and for safe driving.

MARUTI SUZUKI INDIA LIMITED believes in conservation and protection of Earth's natural resources.

To that end, we encourage every vehicle owner to recycle, trade in, or properly dispose of, as appropriate, used motor oil, coolant, and other fluids; batteries; and tyres.

MARUTI SUZUKI INDIA LIMITED

All information in this manual is based on the latest product information available at the time of publication. Due to improvements or other changes, there may be discrepancies between information in this manual and your vehicle. MARUTI/SUZUKI reserves the right to make changes at any time without notice.

This vehicle may not comply with standards or regulations of other countries. Before attempting to register this vehicle in any other country, check all applicable regulations and make any necessary modifications.

IMPORTANT

WARNING/CAUTION/NOTE

Please read this manual and follow its instructions carefully. To emphasise special information, the words WARNING, CAUTION, and NOTE have special meanings. Information following these signal words should be carefully reviewed.

▲ WARNING

The personal safety of the driver, passengers, or bystanders may be involved. Disregarding this information could result in their injury or death.

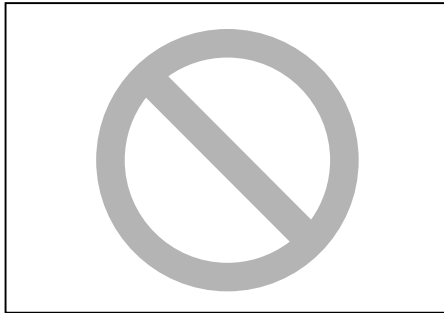
CAUTION

These instructions point out special service procedures or precautions that must be followed to avoid damaging the vehicle.

NOTE:

This provides special information to make maintenance easier or important instructions clearer.

MODIFICATION WARNING



60G-00-004

The circle with a slash in this manual means “Don’t do this” or “Don’t let this happen”.

▲ WARNING

Do not modify this vehicle. Modification could adversely affect safety, handling, performance, or durability and may contravene regulations. In addition, damage or performance problems resulting from modification may not be covered under warranty.

▲ WARNING

Your vehicle has monocoque body construction which provides for certain crumple zones in the body which absorbs larger part of impact energy in the event of a front collision and protects the occupants from impact. Do not use any fitments such as crash guards. These fitments will increase the risk to the occupants because of the shock directly getting transmitted to the occupants.

CAUTION

Improper installation of mobile communication equipment such as cellular telephones or CB (Citizen’s Band) radios may cause electronic interference with your vehicle’s ignition system, resulting in vehicle performance problems. Consult your MARUTI SUZUKI dealer or qualified service technician for advice on installing such mobile communication equipment.

Copying, quoting or reproduction of any part of this manual is not permitted without explicit approval by **MARUTI SUZUKI INDIA LIMITED.**

VEHICLE DETAILS

MODEL	CHASSIS NO.	ENGINE NO.	KEY NO.	DATE OF DELIVERY	ODOMETER READING (KM)	BATTERY	
						MAKE	SR. NO/BATCH CODE

OWNER'S NAME & ADDRESS _____ _____ _____ TEL. NO. _____

ADDRESS/STAMP OF SELLING DEALER	SELLING DEALER CODE
SHOWROOM	
	IMPORTANT INFORMATION TO CUSTOMER
WORKSHOP	<p>Dear Customer</p> <p>For any assistance with regard to our product, please contact General Manager/Works Manager at any of our Dealer or Authorised Service Station. For additional enquiry you may contact our Regional Office or Service Department. The Addresses and Phone nos. are given in Service Network Booklet provided along with vehicle.</p>

WARRANTY POLICY

Maruti Suzuki India Limited (herein after called "Maruti Suzuki"), warrants that each new Maruti Suzuki vehicle distributed in India by Maruti Suzuki and sold by an authorised Maruti Suzuki dealer will be free, under normal use and service, from any defects in material and workmanship at the time of manufacture SUBJECT TO THE FOLLOWING TERMS AND CONDITIONS:

(1) Qualification:

To qualify for this warranty:

- (a) The Maruti Suzuki vehicle must be delivered by Maruti Suzuki authorised dealer and set-up, serviced by Maruti Suzuki authorised dealer/ service station.
- (b) The warranty registration card in respect of each vehicle must be completed by the dealer at the time of delivery of the vehicle and dealer should retain the same.

(2) Term:

The term of the warranty shall be twenty four (24) months or 40,000 kilometers (whichever occurs first) from the date of delivery to the first owner.

(3) Maruti Suzuki's Warranty Obligation:

If any defect(s) should be found in a Maruti Suzuki vehicle within the term stipulated above, Maruti Suzuki's only obligation is to repair or replace at its sole discretion any part shown to be defective, with a new part or the equivalent at no cost to the owner for parts or labour, when Maruti Suzuki acknowledges that such a defect is attributable to faulty material or workmanship at the time of manufacture. The owner is responsible for any repair or replacements which are not covered by this warranty.

(4) Limitation:

This warranty shall not apply to:

- (a) normal maintenance service required other than the three free services, including without limitation, oil and fluid changes, headlight aiming, fastener retightening, wheel balancing, wheel alignment and tyre rotation, cleaning of injectors, adjustments of carburettor, ignition timing, clutch and valve clearance.
- (b) the replacement of normal wear parts including without limitation, bulbs, tyres and tubes, spark plugs, belts, hoses, filters, wiper blades, brushes, contact points, fuses, clutch disc, brake shoes, brake pads, cable and all rubber parts (except oil seal and glass run).
- (c) any vehicle which has been used for competition or racing.
- (d) any repairs or replacement required as a result of accidents or collision.
- (e) any defects caused by misuse, negligence, abnormal use or insufficient care.
- (f) any vehicle which has been modified or altered, including without limitation, the installation of performance accessories.
- (g) any vehicle on which parts or accessories not approved by Maruti Suzuki have been used.
- (h) any vehicle which has not been operated in accordance with the operating instructions in the Maruti Suzuki Owner's Manual.
- (i) any vehicle which has not received, during the warranty term, the service inspections prescribed in the Maruti Suzuki Owner's Manual.
- (j) any vehicle which has been assembled, disassembled, adjusted or repaired by other than an Maruti Suzuki

authorised dealer/service station.

- (k) any vehicle which has been used for purposes other than what it was designed for.
- (l) any damage or deterioration caused by industrial pollution and bird droppings.
- (m) insignificant defects which do not affect the function of the vehicle including without limitation, sound, vibration and fluid seep.
- (n) any natural wear and tear including without limitation, aging etc.
- (o) Installation and usage of Domestic LPG Gas/LPG cylinder.
- (p) V-belts, hoses and gas leaks. (For Maruti Suzuki AC Vehicle.)
- (q) Any vehicle retrofitted with LPG/CNG kits.

(5) Extent of Warranty:

This warranty is the entire written warranty given by Maruti Suzuki for Maruti Suzuki vehicles and no dealer or its or his agent or employee is authorised to extend or enlarge this warranty and no dealer or its or his agent or employee is authorised to make any oral warranty on Maruti Suzuki's behalf. Maruti Suzuki reserves the right to add any improvements or change the design of any model at any time with no obligation to make the same changes on units previously sold.

(6) Warranty Service:

To obtain warranty service, the complete vehicle must be presented at the owner's expenses to any authorised Maruti Suzuki dealer.

(7) Owner's Warranty Responsibilities:

It is responsibility of each owner to:

- (a) make certain that the warranty registration/PDI card was completed at the time of delivery of the vehicle;
- (b) have performed, at his own expenses, by an Maruti Suzuki authorised dealer/service station all the service inspections specified in the Maruti Suzuki "Owner's Manual and Service Booklet" and maintain adequate proof that such service inspections have been performed.
- (c) make certain that the Maruti Suzuki authorised dealer/service station performing the service inspection has certified the work on the "Maintenance Service Record" page in the "Owner's Manual and Service Booklet" and
- (d) present the Maruti Suzuki "Owner's Manual and Service Booklet" to the authorised Maruti Suzuki dealer whenever requesting service inspections or warranty service.

If the "Owner's Manual and Service Booklet" should be lost or destroyed the owner should consult the authorised Maruti Suzuki dealer from whom the vehicle was purchased for instructions concerning replacement of the "Owner's Manual and Service Booklet".

(8) Disclaimer of Consequential Damage:

Maruti Suzuki assumes no responsibility for loss of vehicle, loss of time, inconvenience or any other indirect incidental or consequential damage resulting from the vehicle not being available to the owner because of any defect covered by this warranty.

(9) Change of Owner

Even if ownership of the vehicle changes, the remaining warranty period is effective for the new owner.

EMISSION WARRANTY

Maruti Suzuki offers the Emission Warranty on all Maruti Suzuki vehicles (apart from the Regular warranty and will run parallel to the regular product warranty) only in four metropolitan cities (**New Delhi, Kolkata, Mumbai and Chennai**) with effect from **July 1st, 2001**.

Terms:

The Emission Warranty will be applicable for **80,000 kms or 3 years** (Which ever comes earlier) from the date of delivery to the first owner. The remaining warranty terms will be valid in case of any change in ownership provided the production of all valid document.

Conditions:

1. Under Emission Warranty, Warranty claims will be admitted for a prima facie examination, in case vehicle fails to meet to the Emission Standard as specified in *sub rule (2) of rule no. 115 of Central Motor Vehicles Rules (CMVR), 1989*.
2. The warranty claims will only be accepted after examination carried out by Maruti Suzuki or it's dealer which leads to firm conclusions that the
 - a) Original settings have not been tempered in any case.
 - b) Part (as given in Annexure-A) has a manufacturing defect.
 - c) Vehicle is unable to meet the Emission Standards (as given in 1.), inspite of the vehicle having been maintained and used in accordance with the instructions as specified in Owner's Manual and Service Booklet and the used fuel and different oils (Engine oil, Transmission oil, Brake oil etc.) are also as per specification.
3. The method of examination for deciding the warranty of the parts will be at the sole discretion of Maruti Suzuki and it's dealer and results of the examination will be final and binding. If after examination, the warrantable condition is not established, Maruti Suzuki and it's dealer has has the right to charge all, or part of the cost of such examination.
4. Under Emission Warranty, the parts (as given in Annexure-A) will be changed free of cost, but the consumables will be charged as per actual.
5. If the part covered under Emission Warranty or the associated parts, are not independently replaceable, on account of these being integral parts a complete assembly, Maruti Suzuki and it's dealer will have the sole discretion to replace entire assembly or by using some of the parts of the system through suitable repair or modifications.

6. Any consequential repairs or replacement of parts which may be found necessary to establish compliance of Emission Warranty, will not be considered under warranty, unless the same is under product warranty. The consumable will be charged as per actual under such repair or replacement.
7. Maruti Suzuki will not be responsible for the cost of transportation of the vehicle to the nearest Maruti Suzuki dealer workshop or any loss due to non-availability of the vehicle during the period of lodging of a warranty claim and examination and/or repair by Maruti Suzuki dealer.
8. Maruti Suzuki will not be responsible for any penalty that may be charged by statutory authorities on account of failure to comply with the EMISSION STANDARDS.
9. Emission Warranty will not be affected on the change of owner, provided all the documents are available.
10. All maintenance actions (as specified in the Owner's Manual and Service Booklet) need to be followed and recorded in the manual for emission warranty.
11. The customer needs to produce the PUC (Pollution Under Control) certificate valid for the period preceeding the test during which the failure is discovered. The receipts (for the maintenance of the vehicle as per specification in Owner's Manual and Service Booklet from the date of original purchase of the vehicle) will also be required.

Conditions under which the Emission Warranty is not APPLICABLE

1. In the absence of valid PUC certificate.
2. Vehicle not serviced from Maruti Suzuki authorised workshop as per the schedule specified in the Owner's Manual.
3. Vehicle subjected to abnormal use (accident, motor race, rallies or for the purpose of establishing the records etc.)
4. Use of non MGP (Maruti Genuine Part).
5. Vehicle tempered in an unauthorised manner.
6. Tampering with odometer so that the actual kilometer reading can not be read.
7. Use of adulterated fuel and/or unspecified oils (Engine oil, Transmission oil and Brake oil etc.)

EMISSION WARRANTY

Annexure-A

List of parts covered under Emission Warranty

1. Fuel injection Assembly, Pressure Regulator, Throttle Body Assembly.
2. Electronic Control Module (ECM).
3. Intake Manifold.
4. EGR valve.
5. Distributor and internal parts.
6. Ignitions coil.
7. Canister Assembly.
8. Vapour Liquid Separator.
9. Fuel Tank and Filler Cap.
10. PCV (Positive Crankcase Ventilation) Valve.
11. Oil Filler Cap.
12. Catalytic Convertor.
13. Exhaust manifold.
14. All fuel injection System related SENSORS.
15. Maniverter

BEFORE DRIVING

Fuel Recommendation	3-1
Keys	3-1
Door Locks	3-2
Windows	3-3
Mirrors	3-4
Seat Adjustment	3-4
Seat Belts	3-5

FUEL RECOMMENDATION

CAUTION

The fuel tank has an air space to allow for fuel expansion in hot weather. If you continue to add fuel after the filler nozzle has automatically shut off or an initial blowback occurs, the air chamber will become full. Exposure to heat when fully fuelled in this manner will result in leakage due to fuel expansion. To prevent such fuel leakage, stop filling after the filler nozzle has automatically shut off, or when using an alternative non automatic system, initial vent blowback occurs.

CAUTION

Be careful not to spill fuel containing alcohol while refuelling. Fuels containing alcohol can cause paint damage, which is not covered under Warranty.

You must use unleaded petrol with an octane number (RON) of 91 or higher.

Petrol/Ethanol Blends

Blends of unleaded petrol and ethanol (grain alcohol), also known as gasohol, are commercially available in some areas. Blends of this type may be used in your vehicle if they are no more than 5% ethanol. Make sure this petrol-ethanol blend has octane ratings not lower than those recommended for petrol.

Petrol/Methanol Blends

Blends of unleaded petrol and methanol (wood alcohol) are also commercially available in some areas. DO NOT USE fuels containing more than 5% methanol under any circumstances. Fuel system damage or vehicle performance problems resulting from the use of such fuels are not the responsibility of MARUTI SUZUKI and may not be covered under Warranty.

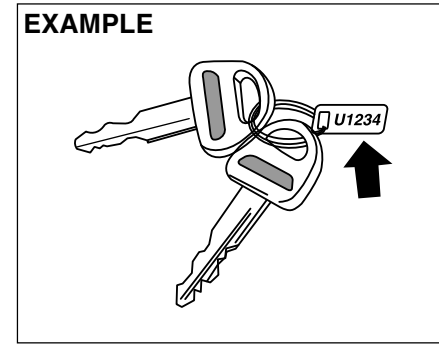
Fuels containing 5% or less methanol may be suitable for use in your vehicle if they contain cosolvents and corrosion inhibitors.

NOTE:

If you are not satisfied with the driveability or fuel economy of your vehicle when you are using a petrol/alcohol blend, you should switch back to unleaded petrol containing no alcohol.

KEYS

EXAMPLE



02-77A005A

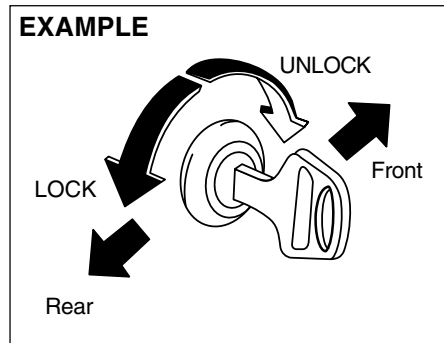
Your vehicle comes with a pair of identical keys. Keep the spare key in a safe place. One key can open all of the locks on the vehicle.

The key identification number is stamped on a metal tag provided with the keys. Keep the tag in a safe place. If you lose your keys, you will need this number to have new keys made.

Key No.

BEFORE DRIVING

DOOR LOCKS



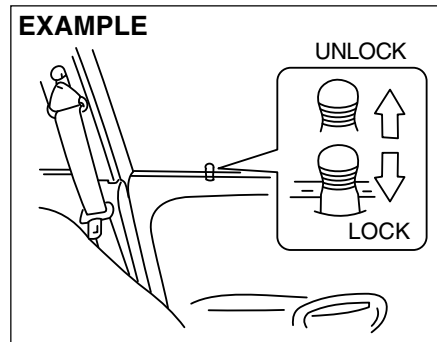
02-60A009A

To lock a door from outside the vehicle:

- Insert the key and turn the top of the key toward the rear of the vehicle, or
- Push in the lock knob and hold the door handle up as you close the door.

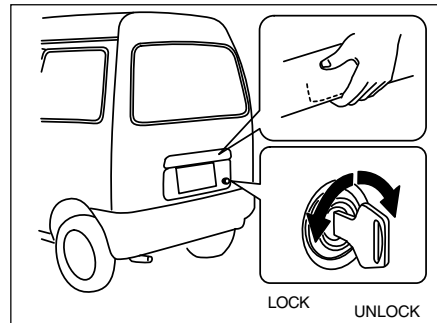
To unlock a door from outside the vehicle, insert the key and turn the top of the key toward the front of the vehicle.

To lock a rear side door from outside the vehicle, push the lock knob down and close the door.



02-60G006A

To lock a door from inside the vehicle, push down the lock knob. Pull out the lock knob to unlock the door.



02-76A020A

Rearend Door Lock

Lock or unlock the rearend door lock by inserting and turning the key. Turn the key left to lock and right to unlock the rearend door. Make sure the door is locked after locking by the key.

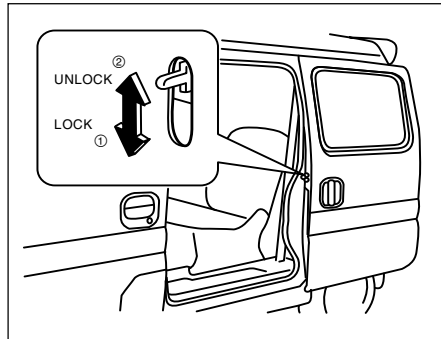
⚠ WARNING

Always make sure that the rearend door is closed and latched securely. Completely closing the rearend door also helps prevent occupants being thrown from the vehicle in the event of an accident.

CAUTION

Do not use the key to lift up the rearend door, or the key may break off in the lock.

WINDOWS

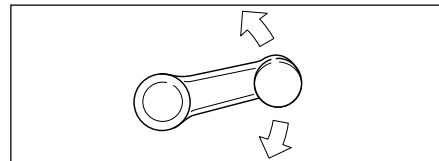


83B001

Child-Proof Locks (Rear side door)

As illustrated, a child-proof lock is provided for both rear doors. When the lock lever is in position ①, the child-proof lock is locked. When the child-proof lock is in the locked position, the rear door cannot be opened from the inside even if the inside door lock is unlocked but can be opened from the outside.

⚠ WARNING
 Be sure to place the child-proof lock in the locked position whenever children are seated in the rear.



02-60G010A

Manual Window Control

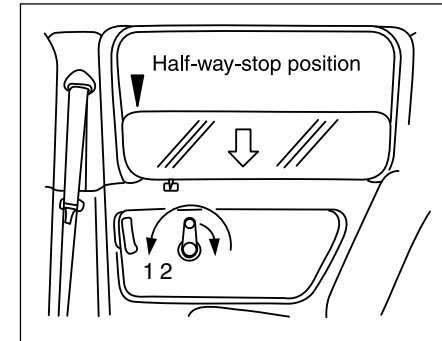
Raise or lower the door windows by turning the handle located on the door panel.

Rear side door windows

You can open the window about half of the way down in the normal manner. If you need to open the window fully for some reason such as carrying a big bag through the window, open the window more by the following manner.

- 1) Lower the window until it stops.
- 2) Return the handle about 90° and then lower the window.

To close the window, simply raise it.



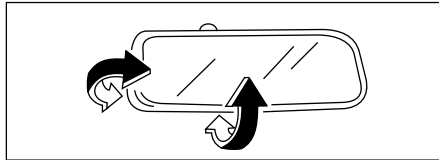
02-76A065A

⚠ WARNING
 Do not open the window fully while driving. Passengers, especially children, in the second seat may be ejected from the vehicle in the event of sudden manoeuvre or an accident if the window is opened more than the half-way-stop position.

CAUTION
 Do not try to open the window forcibly when it gets to the half-way-stop position. The window opening mechanism can be damaged.

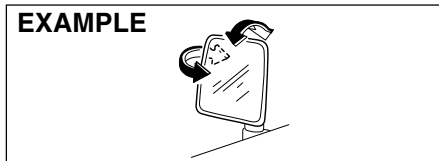
BEFORE DRIVING

MIRRORS



72F-01-013

To adjust the interior rearview mirror, move the mirror up, or sideways to obtain the best view.



02-77A007A

Outside Rearview Mirrors

Adjust the outside rearview mirrors so you can just see the side of your vehicle in the mirrors.

⚠ WARNING

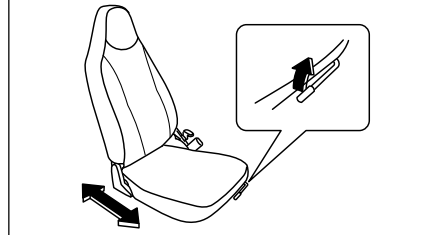
Be careful when judging the size or distance of a vehicle or other object seen in the side convex mirror. Be aware that objects look smaller and appear farther away than when seen in a flat mirror.

SEAT ADJUSTMENT

⚠ WARNING

Never attempt to adjust the driver's seat or seatback while driving. The seat or seatback could move unexpectedly, causing loss of control. Make sure that the driver's seat and seatback are properly adjusted before you start driving.

EXAMPLE



83B003

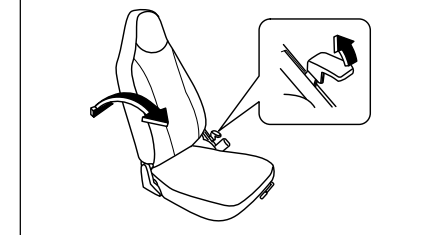
Adjusting Seat Position (if equipped)

The adjustment lever for front seat (driver seat only) is located under the front of the seat, on the inboard side. To adjust the seat position, pull up on the adjustment lever and slide the seat forward or rearward. After adjustment, try to move the seat forward and rearward to ensure that it is securely latched.

⚠ WARNING

To avoid excessive seat belt slack, which reduces the effectiveness of the seat belts as a safety device, make sure that the seats are adjusted before the seat belts are fastened.

EXAMPLE



83B004

Adjusting Seatbacks (Except for rigid seat)

⚠ WARNING

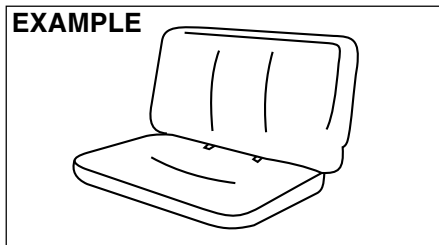
Seatbacks should always be in an upright position when driving, or seat belt effectiveness may be reduced. Seat belts are designed to offer maximum protection when seatbacks are in the fully upright position.

SEAT BELTS

(Front seats)

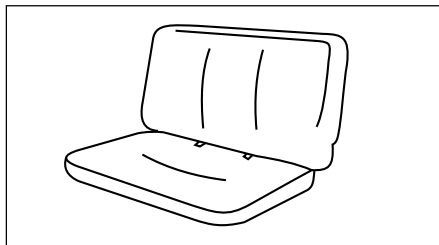
The seatbacks can be adjusted to different angles. To adjust the seatback angle, pull up the lever on the inboard side of the seat, move the seatback to the desired position, and release the lever to lock the seatback in place.

EXAMPLE



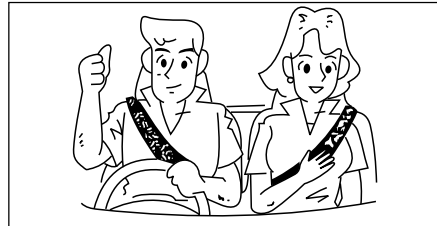
2nd row fixed seat

This seat is fixed firmly and cannot be folded.



3rd row fixed seat (if equipped)

This seat is fixed firmly and cannot be folded.



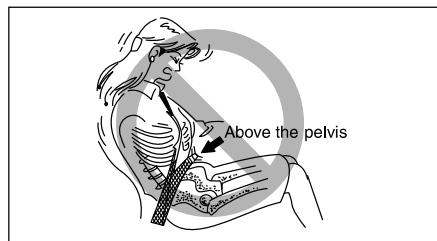
07-65D231A

▲ WARNING

Wear Your Seat Belts at All Times.

▲ WARNING

The driver and co-driver must be properly restrained by wearing seat belts at all times, to minimize the risk of severe injury or death in the event of a crash.

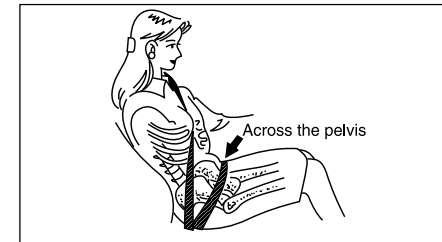


02-65D200A

▲ WARNING

- Never allow persons to ride in the cargo area of a vehicle. In the event of an accident, there is a much greater risk of injury for persons who are not riding in a seat with their seat belt securely fastened.
- Seat belts should always be adjusted so the lap portion of the belt is worn low across the pelvis, not across the waist. Shoulder straps should be worn on the outside shoulder only, and never

(Continued)



02-65D201A

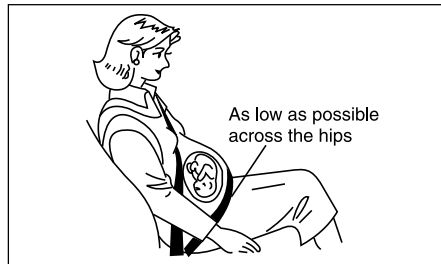
BEFORE DRIVING

(Continued)

under the arm. Seat belts should never be worn with the straps twisted and should be adjusted as tightly as is comfortable to provide the protection for which they have been designed. A slack belt will provide less protection than one which is snug.

- Make sure that each seat belt buckle is inserted into the proper buckle catch. It is possible to cross the buckle in the rear seat.
- Do not wear your seat belt over

(Continued)



02-65D199A

(Continued)

hard or breakable objects in your pockets or on your clothing. If an accident occurs, objects such as glasses, pens etc. under the seat belt can cause injury.

- Never use the same seat belt on more than one occupant and never attach a seat belt over an infant or child being held on an occupant's lap. Such seat belt use could cause serious injury in the event of an accident.

(Continued)

▲ WARNING

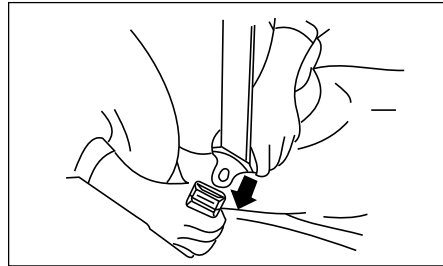
(Continued)

- Pregnant women should use seat belts, although specific recommendations about restraint use should be made by the woman's medical advisor. Remember that the lap portion of the belt should be worn as low as possible across the hips, as shown in the diagram.

(Continued)

▲ WARNING

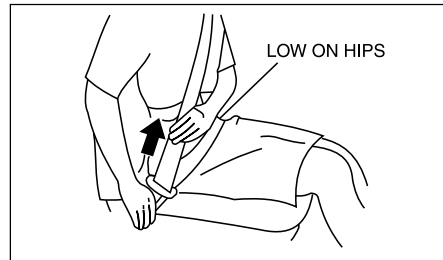
- Periodically inspect seat belt assemblies for excessive wear and damage. Seat belts should be replaced if webbing becomes frayed, contaminated, or damaged in any way. It is essential to replace the entire seat belt assembly after it has been worn in a severe impact, even if damage to the assembly is not obvious.
- Children aged 12 and under should ride properly restrained in the rear seat.
- Infants and small children should never be transported unless they are properly restrained. Restraint systems for infants and small children can be purchased locally and should be used. Make sure that the system you purchase meets applicable safety standards. Read and follow all the directions provided by the manufacturer.
- Avoid contamination of seat belt webbing by polishes, oils, chemicals, and particularly battery acid. Cleaning may safely be carried out using mild soap and water.
- For children, if the shoulder belt irritates the neck or face, move the child closer to the center of the vehicle.



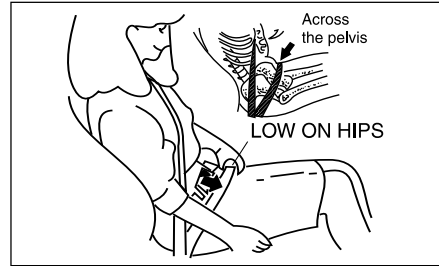
02-60A036A

There are two types of seat belt "Lap-shoulder belt" and "Lap belt". The type of belts provided in your vehicle depends on the vehicle specification.

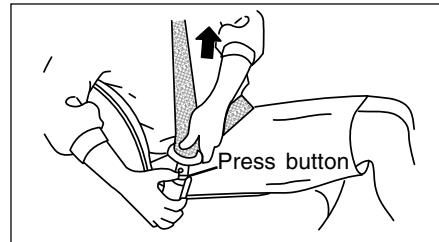
To fasten the seat belt, pull the buckle tongue attached to the seat belt across your body and press it into the buckle catch on the opposite side until you hear a "click".



02-60A037A



02-81A102A



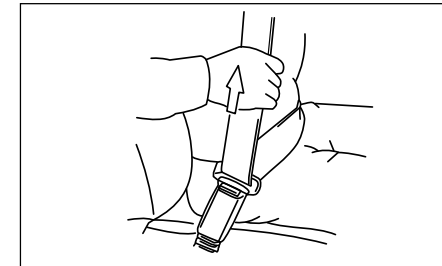
02-60A039A

To reduce the risk of sliding under the belt during a collision, position the lap portion of the belt across your lap as low on your hips as possible and adjust the belt to a snug fit using the proper method for each type of the belt as described below. Make sure that the belt is not twisted.

To unfasten the belt, press the release button on the buckle catch.

To Adjust the Belt

- Lap-shoulder belt
Pull the shoulder portion of the belt upwards through the tongue plate.



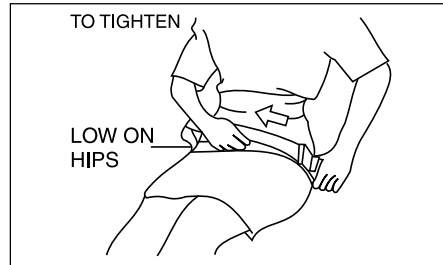
02-60A040A

The length of the diagonal shoulder strap adjusts itself to allow freedom of movement. The seat belt has an emergency locking retractor (ELR), which is designed to lock the seat belt only during a sudden stop or impact.

⚠ WARNING

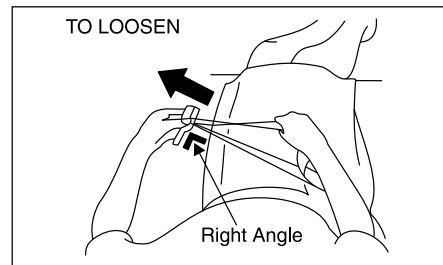
No modifications or additions should be made by the user which will either prevent the seat belt adjusting devices from operating to remove slack, or prevent the seat belt assembly from being adjusted to remove slack.

BEFORE DRIVING



02-60A045A

- Lap belt
On this belt the adjuster is incorporated in the tongue unit.
To tighten the belt, pull the free end of the belt across alongside the lap strap until it is adjusted to a snug comfortable position.

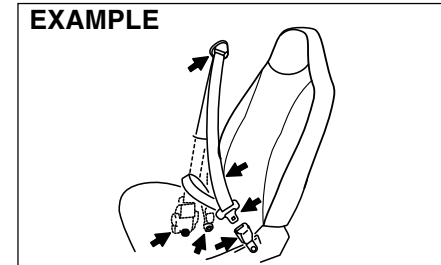


02-60A046A

To lengthen, release the tongue from the buckle unit, pull the tongue (adjuster) in the direction of the arrow, at right angles to the belt. The buckle unit and the belt tightened as previously described.

Seat Belt Inspection

Periodically inspect the seat belts to make sure they work properly and are not damaged. Check the webbing, buckles, latch plates, retractors, anchorages, and guide loops. Replace any seat belts which do not work properly or are damaged.



02-65D209A

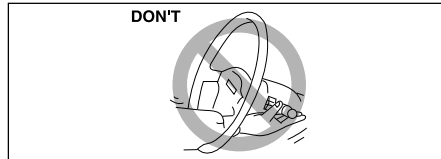
⚠ WARNING

Be sure to inspect all seat belt assemblies after any collision. Any seat belt assembly which was in use during a collision (other than a very minor one) should be replaced, even if damage to the assembly which was not in use during a collision should be replaced if it does not function properly or is damaged in any way.

STEERING COLUMN CONTROLS

Ignition switch	4-1
Lighting/turn signal control lever	4-2
Hazard warning switch	4-2
Windscreen wiper and washer lever	4-3
Horn	4-3

STEERING COLUMN CONTROLS

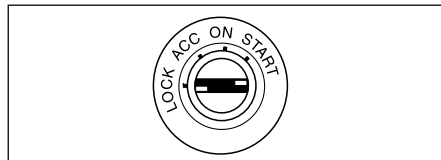


03-70G142A

⚠ WARNING

To avoid possible injury, do not operate controls by reaching through the steering wheel.

IGNITION SWITCH



03-81A70A

The ignition switch has the following four positions:

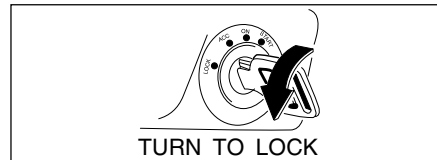
LOCK

This is the normal parking position. It is the only position in which the key can be removed.

It locks the ignition, and prevents normal use of the steering wheel after the key is removed.

4-1

To release the steering lock, fully insert the key and turn it clockwise to one of the other positions. If you have trouble turning the key to unlock the steering, try turning the steering wheel slightly to the right or left while turning the key.



03-77A070A

ACC

Accessories such as the radio can operate, when the engine is off.

ON

This is the normal operating position. All electrical systems are on.

START

This is the position for starting the engine using the starter motor. The key should be released from this position as soon as the engine starts.

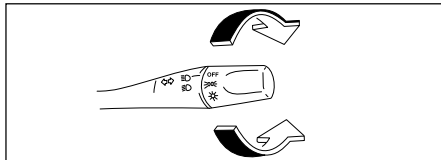
⚠ WARNING

- Never remove the ignition key while the vehicle is moving. The steering wheel will lock and you will not be able to steer the vehicle.
- Do not leave children alone in a parked vehicle, and always remove the key. Unattended children could cause accidental movement of the vehicle, which could result in severe personal injury.

CAUTION

- Do not use the starter motor for more than 15 seconds at a time. If the engine does not start; wait 15 seconds before trying again. If the engine does not start after several attempts, check the fuel and ignition systems or consult your MARUTI SUZUKI dealer.
- Do not leave the ignition switch in the "ON" position if the engine is not running as the battery will discharge.

LIGHTING/TURN SIGNAL CONTROL LEVER

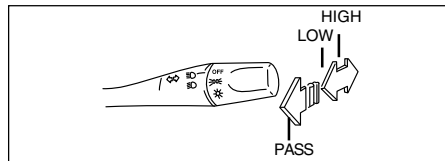


03-76G001A

This control lever is located on the outboard side of the steering column. Operate the lever as described below.

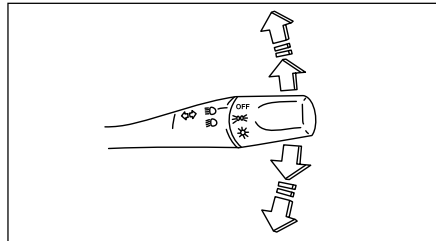
Lighting Operation

To turn the lights on or off, twist the knob on the end of the lever. There are three positions: in the "OFF" position all lights are off; in the middle position the front parking lights, tail-lights, registration plate light, and instrument lights are on, but the headlights are off; in the third position the headlights come on in addition to the other lights.



03-76G002A

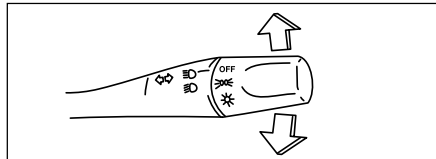
With the headlights on, push the lever forward to switch to the high beams (main beams) or pull the lever toward you to switch to the low beams. When the high beams (main beams) are on, a light on the instrument panel will come on. To momentarily activate the high beams (main beams) as a passing signal, pull the lever slightly towards you and release it when you have completed the signal.



03-76G003A

Turn Signal Operation

With the ignition switch in the "ON" position, move the lever up or down to activate the right left turn signals.



03-76G004A

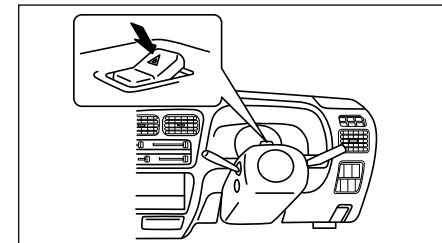
Normal Turn Signal

Move the lever all the way up to signal a left turn or all the way down to signal a right turn for right hand drive. When the turn is completed, the signal will cancel and the lever will return to its normal position.

Lane Change Singnal

Some times, such as when changing lanes, the steering wheel is not turned far enough to cancel the turn signal. For convenience, you can flash the turn signal by moving the lever part way and holding it there. The lever will return to its normal position when you release it.

HAZARD WARNING SWITCH



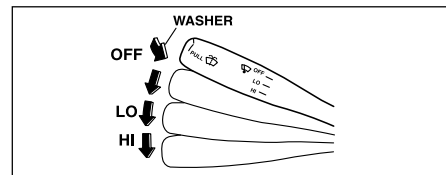
03-76A047A

STEERING COLUMN CONTROLS

Push in the marked part of the hazard warning switch to activate the hazard warning lights. All four turn signal lights and both turn signal indicators will flash simultaneously. To turn off the lights, push the another side of the switch.

Use the hazard warning lights to warn other traffic during emergency parking or when you vehicle could otherwise become a traffic hazard.

WINDSCREEN WIPER AND WASHER LEVER

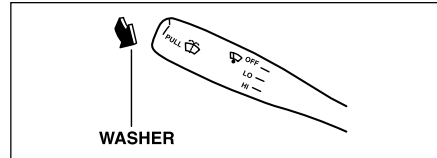


03-76G005A

Windscreen Wipers

To turn the windscreen wipers on, push down the knob on the end of the lever to one of the three operating positions. In the "LO" position, the wipers operate at a steady low speed. In the "HI" position, the wipers operate at a steady high speed. To turn off the wipers, move the lever back to the "OFF" position.

4-3



03-76G006A

Windscreen Washer

To spray windscreen washer fluid, pull the lever toward you.

▲ WARNING

- To prevent windscreen icing in cold weather, turn on the defroster to heat the windscreen before and during windscreen washer use.
- Do not use radiator antifreeze in the windscreen washer reservoir. It can severely impair visibility when sprayed on the windscreen, and can also damage your vehicle's paint.

CAUTION

To help prevent damage to the windscreen wiper and washer system components, you should take the following precautions:

- Do not continue to hold in the lever when there is no windscreen washer fluid being sprayed or the washer motor can be damaged.

(Continued)

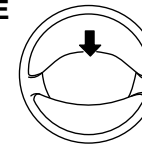
CAUTION

(Continued)

- Do not attempt to remove dirt from a dry windscreen with the wipers or you can damage the windscreen and the wiper blades. Always wet the windscreen with washer fluid before operating the wipers.
- Clear ice or packed snow from the wiper blades before using the wipers.
- Check the washer fluid level regularly. Check it often when the weather is bad.
- Only fill the washer fluid reservoir 3/4 full during cold weather to allow room for expansion if the temperature falls low enough to freeze the solution.

HORN

EXAMPLE



03-76A046

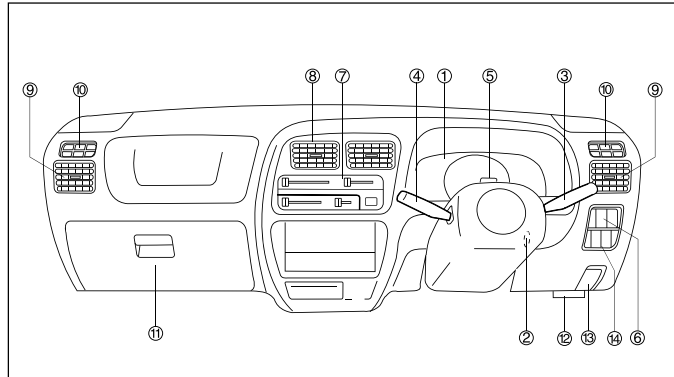
Press the center piece of the steering wheel to sound the horn. The horn will sound with the ignition switch in any position.

24

INSTRUMENT PANEL

Warning and Indicator lights	5-2
Speedometer/Odometer/Tripmeter	5-4
Meter illumination control.....	5-4
Fuel gauge	5-5
High Engine Coolant Temperature Warning Light	5-5
Glove box	5-5
Heating system (if equipped).....	5-6
Air conditioning system (if equipped)	5-8
Head light leveling switch	5-9

INSTRUMENT PANEL

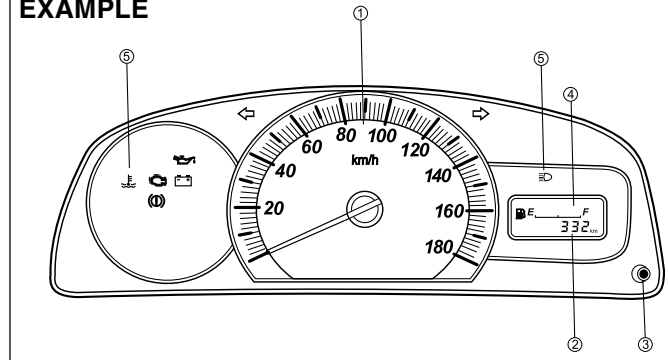


04-76A032A

- ① Instrument cluster
- ② Ignition switch
- ③ Lighting switch/Turn signal and dimmer switch
- ④ Windscreen wiper and washer switch
- ⑤ Hazard warning switch
- ⑥ Other switches (if equipped)
- ⑦ Air conditioner and/or Heater control panel (if equipped)
- ⑧ Center ventilator
- ⑨ Side ventilator
- ⑩ Side demister
- ⑪ Glove box
- ⑫ Fuse box
- ⑬ Bonnet release
- ⑭ Headlight leveling switch (if equipped)

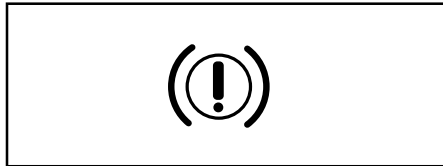
5-1

EXAMPLE



- ① Speedometer
- ② Odometer/Trip meter
- ③ Odometer/Trip meter selector knob
- ④ Fuel gauge
- ⑤ Warning and indicator lights

WARNING AND INDICATOR LIGHTS



04-60B056A

Brake system warning light

This light comes on under three conditions: 1) when the ignition switch is turned to either "ON" or "START" position, 2) when the parking brake engaged, and 3) when the fluid in the brake fluid reservoir falls below the specified level. The light should go out after starting the engine and fully releasing the parking brake, if the fluid level in the brake fluid reservoir is adequate.

If the brake system warning light comes on while you are driving the vehicle, it may mean that there is something wrong with the vehicle's braking system. If this happens, you should:

- 1) Pull off the road and stop carefully.

▲ WARNING

Remember that stopping distance may be longer, you may have to push harder on the pedal, and the pedal may go down farther than normal.

- 2) Test the brakes by carefully starting and stopping on the side of the road.
- 3) If you determine that it is safe, drive cautiously at low speed to the nearest dealer for repairs, or
- 4) Have the vehicle towed to the nearest dealer for repairs.

▲ WARNING

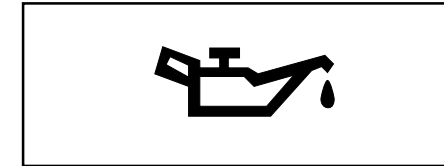
If any of the following conditions occur, you should immediately ask your MARUTI SUZUKI dealer to inspect the brake system.

- **If the brake system warning light does not go out after the engine has been started and the parking brake has been fully released.**
- **If the brake system warning light does not come on when the ignition switch is turned to the "START" position.**
- **If the brake system warning light comes on at any time during vehicle operation.**

NOTE:

Because the disc brake system is self-adjusting, the fluid level will drop as the brake pads become worn.

Replenishing the brake fluid reservoir is considered normal periodic maintenance.



04-50G051A

Oil Pressure Light

This light comes on when the ignition switch is turned on, and goes out when the engine is started. The light will come on and remain on if there is insufficient oil pressure. If the light comes on when driving, pull off the road as soon as you can and stop the engine. Check the oil level and add oil if necessary. If there is enough oil, the lubrication system should be inspected by your MARUTI SUZUKI dealer before you drive the vehicle again.

INSTRUMENT PANEL

CAUTION

- If you operate the engine with this light on, severe engine damage can result.
- Do not rely on the Oil Pressure Light to indicate the need to add oil. Be sure to periodically check the engine oil level.



04-50G052A

Charging Light

This light comes on when the ignition switch is turned on, and goes out when the engine is started. The light will come on and remain on if the battery is not being charged. If the light comes on when the engine is running, the charging system should be inspected immediately by your MARUTI SUZUKI dealer.



04-70G037A

“Malfunction Indicator” Light

Your vehicle has a computer-controlled emission control system. A malfunction indicator light is provided on the instrument panel to indicate when it is necessary to have the emission control system serviced. The malfunction indicator light comes on when the ignition switch is turned to “ON” or “START” and goes out when the engine is started.

If the malfunction indicator light comes on when the engine is running, there is a problem with the emission control system. Bring the vehicle to your MARUTI SUZUKI dealer to have the problem corrected.

CAUTION

Continuing to drive the vehicle when the malfunction indicator light is on can cause permanent damage to the vehicle’s emission control system, and can affect fuel economy and driveability.



04-50G055A

Turn Signal Indicators

When you turn on the left or right turn signals, the corresponding green arrow on the instrument panel will flash along with the respective turn signal lights. When you turn on the hazard warning switch, both arrows will flash along with all of the turn signal lights.

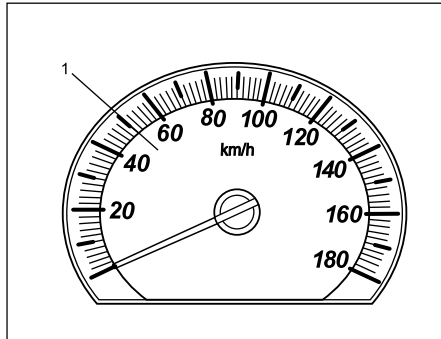


04-50G056A

Main Beam (High Beam) Indicator Light

This indicator comes on when headlight main beams (high beams) are turned on.

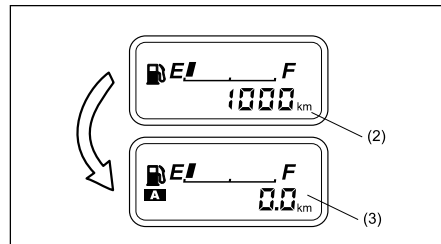
SPEEDOMETER



04-76A029A

The speedometer (1) indicates vehicle speed in km/h.

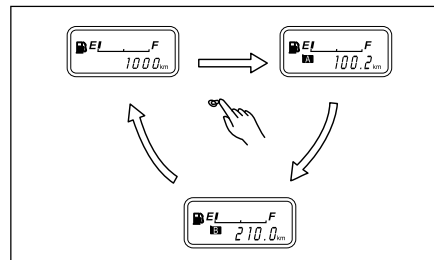
ODEMETER/TRIPMETER



The odometer (2) records the total distance the vehicle has been driven. The trip meter (3) can be used to measure the distance travelled on short trips or between fuel stops.

CAUTION

Keep track of your odometer reading and check the maintenance schedule regularly for required services. Increased wear or damage to certain parts can result from failure to perform required services at the proper mileage intervals.

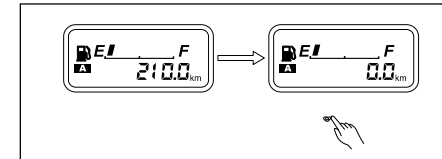


04-65D059A

When the ignition switch is turned to "ON", the display shows the odometer or trip meter.

The display shows three types of indication; odometer, trip meter A and trip meter B. Push the selector knob quickly to switch the indication among the three.

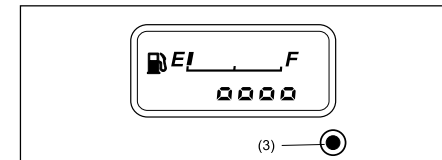
You can use the two trips meters (A and B) independently.



04-65D060A

Push the selector knob for a little while (about 2 seconds) to reset the trip meter to zero.

Meter illumination control



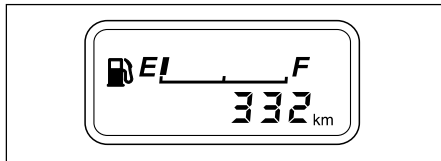
68KH100

When the display shows the indication of illumination intensity, you can dim or brighten the meter illumination.

INSTRUMENT PANEL

To change the meter illumination brightness, continue to hold in the selector knob (3). The indication will change as shown in the illustration. The illumination gets dimmer then returns to the brightest condition after it reaches the dimmest.

FUEL GAUGE



When the ignition switch is in the "ON" position, this gauge gives an approximate indication of the amount of fuel in the fuel tank. "F" stands for full and "E" stands for empty.

When the fuel meter indicator shows only one segment to "E", refill the tank as soon as possible.

NOTE:

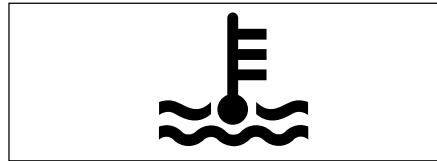
If the last segment blinks, it means that the fuel tank is almost empty.

NOTE:

The fuel meter indicator varies depending on road conditions (for example, slope or curve) and driving conditions because of fuel moving in the tank.

5-5

HIGH ENGINE COOLANT TEMPERATURE WARNING LIGHT (Red Color)



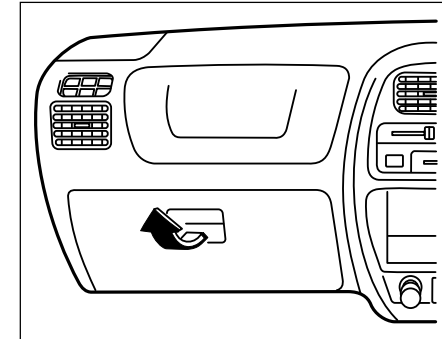
04-76A002A

When the ignition switch is turned to the "ON" position, this light comes on briefly so you can check that the light is working. If this light blinks while driving, it means the engine is running hot. Avoid driving conditions that may lead to actual overheating. If the light stays on without blinking, then the engine is overheating. Follow the instructions in the "If the Engine Over heats" of "EMERGENCY SERVICE" section.

CAUTION

Continuing to drive the vehicle when engine overheating is indicated can result in severe engine damage.

GLOVE BOX



04-76A055A

⚠ WARNING

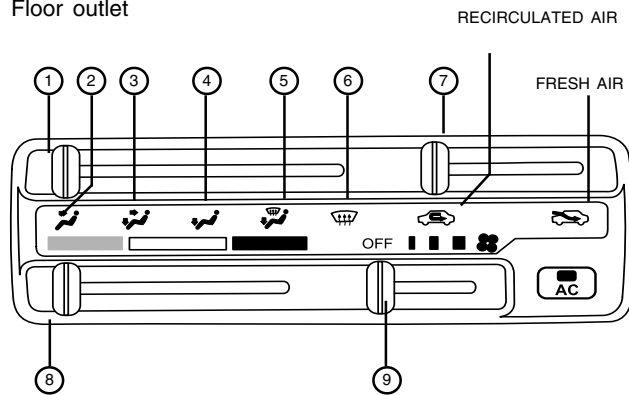
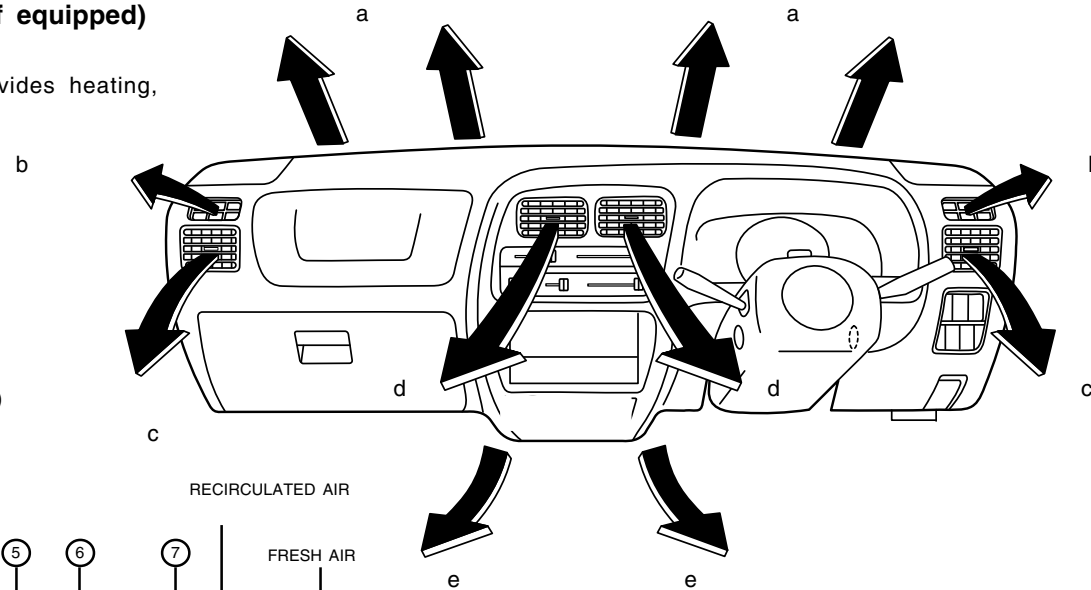
Never drive with the glove box lid open. It could cause injury if an accident occurs.

To open the glove box, pull the latch lever. To close it, push the lid until it latches securely.

HEATING SYSTEM (if equipped)

The heating system provides heating, demisting, and ventilation.

- a. Windscreen defroster
- b. Side defroster (demister)
- c. Side outlet
- d. Center outlet
- e. Floor outlet



04-76A034A

04-81A027A

INSTRUMENT PANEL

Description of Controls

Function selector ① This selector is used to select one of the functions described below:

04-60A102A **VENTILATION** ② Temperature-controlled air comes out of the center and side air outlets.



04-60A103A **BI-LEVEL** ③ Temperature-controlled air comes out of the floor outlets and cooler air comes out of the center and side outlets. When the temperature control lever is in the fully "COLD" position or fully "HOT" position, however, the air from the floor outlets and the air from the center and side outlets will be the same temperature.



04-60A104A **HEAT** ④ Temperature-controlled air comes out of the floor outlets.



04-60A105A **HEAT & DEMIST** ⑤ Temperature-controlled air comes out of the floor outlets, the windscreen demister outlets, and the side demister outlets.



04-60A106A **DEMIST** ⑥ Temperature-controlled air comes out of the windscreen demister outlets and the side demister outlets.



Air Intake Selector ⑦ This selector is used to select between circulating outside air (FRESH AIR) or recirculating inside air (RE-CIRCULATED AIR).

Temperature Selector ⑧ This selector is used to control the temperature of the air that comes out of the air outlets.

Blower Speed Selector ⑨ This selector is used to turn on the blower and to select blower speed. There are four positions : OFF, LOW, MEDIUM, and HIGH.

System Operating Instructions

Natural Ventilation

Select "VENTILATION", and "FRESH AIR", the temperature selector to the desired temperature position, and the blower speed selector to "OFF". Fresh air will flow through the vehicle during driving.

Forced Ventilation

The control settings are the same as for natural ventilation except you set the blower speed selector to a position other than "OFF".

Normal Heating (Using outside air)

Select "HEAT", and "FRESH AIR", the temperature selector to the desired temperature position, and the blower speed selector to the desired blower speed position. Setting the blower speed selector to a higher blower speed position increases heating efficiency.

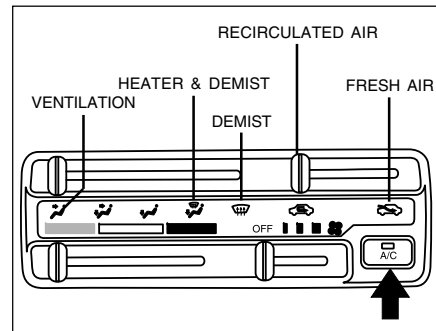
Quick Heating (Using recirculated air)

The control settings are the same as for normal heating except you select "RE-CIRCULATED AIR". If you use this heating method for an extended period of time, the air in the vehicle can become contaminated and the windows can become misty. Therefore, use this method only for quick heating and change to the normal heating method as soon as possible.

Cool Face/Warm Feet

Select "BI-LEVEL", and "FRESH AIR", the temperature selector to the desired temperature position, and the blower speed selector to the desired blower speed position. Unless the temperature selector is in the fully COLD position or fully HOT position, the air that comes out of the center and side outlets will be cooler than the air that comes out of the floor outlets.

**AIR CONDITIONING SYSTEM
(if equipped)**



04-81A028A

Defrosting/Warm Feet

Select "HEAT & DEMIST", and "FRESH AIR", the temperature selector to the desired temperature position, and the blower speed selector to HIGH. When the windscreen has become clear, set the blower speed selector to the desired blower speed position.

Defrosting

Select "DEMIST", and "FRESH AIR", the temperature selector to the desired temperature position, and the blower speed selector to HIGH. Setting the temperature selector to a higher temperature position increases demisting efficiency. When the windscreen has become clear, set the blower speed selector to the desired blower speed position.

If your vehicle is equipped with air conditioner, it has an A/C switch located on the heater control panel. The air conditioning system can be used to provide cooling and dehumidifying, as described below. To turn on the air conditioning system, push in the A/C switch and set the blower speed selector to a position other than "OFF". An indicator light will come on when the air conditioning system is on. To turn off the air conditioning system, push the A/C switch again.

During operation of the air conditioner, you may notice slight changes in engine speed. These changes are normal, the system is designed so that the compressor turns on or off to maintain the desired temperature.

Less operation of the compressor results in better fuel economy.

System Operating Instructions

Normal Cooling

Turn on the "A/C" switch, set the air flow selector to the "VENTILATION", the temperature selector to the desired temperature position, and the blower speed selector to the desired blower speed position. Setting the blower speed selector to a higher blower speed position increases cooling efficiency. You can switch the air intake selector to either "FRESH AIR" or "RECIRCULATED AIR" with your desire. Choosing "RECIRCULATED AIR" increases cooling efficiency.

Quick Cooling (Using recirculated air)

The control settings are the same as for normal cooling except you select "RECIRCULATED AIR". and the highest blower speed.

NOTE:

- If you use select "RECIRCULATED AIR" for an extended period of time, the air in the vehicle can become contaminated. Therefore, you should occasionally select "FRESH AIR".
- If your vehicle has been left in the sun with windows closed, it will cool faster if you open the windows briefly while you operate the air conditioner with the air intake selector at "FRESH AIR" and the blower at high speed.

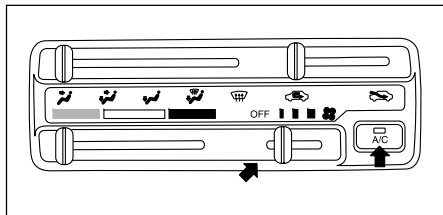
INSTRUMENT PANEL

Dehumidifying

Turn on the A/C switch, set the air flow selector to the desired position, select "FRESH AIR", the temperature selector to the desired temperature position, and the blower speed selector to the desired blower speed position.

NOTE:

Because the air conditioner dehumidifies the air, turning it on will help keep the windows clear, even when blowing heated air using the "DEMIST" or "HEATER & DEMIST" functions.



Maintenance

If you do not use the air conditioner for a long period, such as during winter, it may not give the best performance when you start using it again. To help maintain optimum performance and durability of your air conditioner, it needs to be run periodically. Operate the air conditioner at least once a month for one minute with the engine idling. This circulates the refrigerant and oil and helps protect the internal components.



79F-05-028

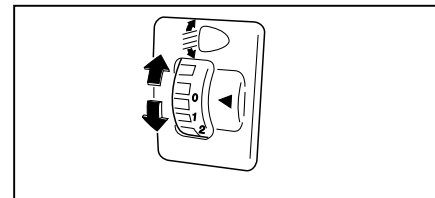
NOTE:

Your vehicle uses the air conditioning refrigerant HFC-134a, commonly called "R-134a". Only R-134a should be used in your vehicle.

CAUTION

Using the wrong refrigerant may damage your air conditioning system. Use R-134a only. Do not mix or replace the R-134a with other refrigerants.

HEADLIGHT LEVELING SWITCH



80G025

Level the headlight beam according to the load condition of your vehicle by turning this switch. The chart on next page shows the appropriate switch position for different vehicle-load conditions.

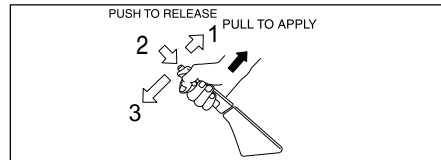
Vehicle Load Condition	Switch Position
Driver only	0
Driver + 1 passenger (in front seat)	0
All passengers	1
All passengers + evenly distributed load in luggage boot	1
Driver + evenly distributed load in luggage boot	1
Dummy	2,3,4

OTHER CONTROLS AND EQUIPMENT

Parking brake lever	6-1
Pedals	6-1
Gear lever	6-2
Fuel filler cap	6-2
Folding seats	6-3
Sun visor	6-3
Interior light switch	6-4
Assist grips	6-4
Bonnet	6-4
Engine compartment	6-5
Frame hooks	6-6
Tyre changing Tools	6-7
High Mount Stop Lamp	6-8

OTHER CONTROLS AND EQUIPMENT

PARKING BRAKE LEVER



05-65D037A

The parking brake lever is located between the seats. To apply the parking brake, hold the brake pedal down and pull the parking brake lever all the way up. To release the parking brake, hold the brake pedal down, pull up slightly on the parking brake lever, push the button on the end of the lever with your thumb, and lower the lever to its original position.

⚠ WARNING

- Never drive your vehicle with the parking brake on: rear brake effectiveness can be reduced from over heating, brake life may be shortened, or permanent brake damage may result.
- If the parking brake does not hold the vehicle securely or does not fully release, have your vehicle inspected immediately by an authorized MARUTI SUZUKI dealer.

⚠ WARNING

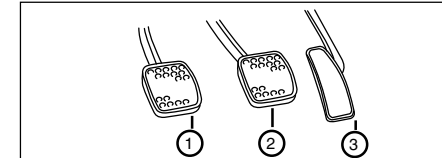
Always apply the parking brake fully before leaving your vehicle or it may move, causing injury or damage. When parking, make sure the gear shift lever is left in first gear or reverse. Remember, even though the transmission is in gear, you must always apply the parking brake fully.

⚠ WARNING

When parking the vehicle in extremely cold weather, the following procedure should be used:

- 1) Apply the parking brake.
- 2) Shift the manual transmission into reverse or first gear.
- 3) With the engine off, get out of the vehicle and put chocks under the wheels.
- 4) Release the parking brake. When you return to your vehicle, you must remember to first apply the parking brake, then remove the wheel chocks.

PEDALS



05-81A071A

Clutch Pedal ①

The clutch pedal is used to disengage the drive to the wheels when starting the engine, stopping, or shifting the transmission lever. Depressing the pedal disengages the clutch.

CAUTION

Do not drive with your foot resting on the clutch pedal. It could result in excessive clutch wear, clutch damage, or unexpected loss of engine braking.

Brake Pedal ②

Your MARUTI SUZUKI vehicle is equipped with front disc brakes and rear drum brakes. Depressing the brake pedal applies both sets of brakes.

You may hear occasional brake squeal when you apply the brakes. This is a normal condition caused by environmental factors such as cold, wet, snow, etc.

36

▲ WARNING

If brake squeal is excessive and occurs each time the brakes are applied, you should have the brakes checked by your MARUTI SUZUKI dealer.

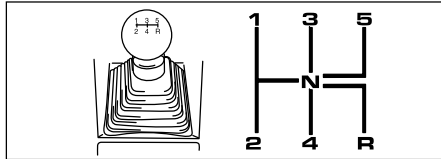
▲ WARNING

Do not "ride" the brakes by applying them continuously or resting your foot on the pedal. This will result in overheating of the brakes which could cause unpredictable braking action, longer stopping distances, or permanent brake damage.

Accelerator Pedal 

This pedal controls the speed of the engine. Depressing the accelerator pedal increases power output and speed.

GEAR LEVER

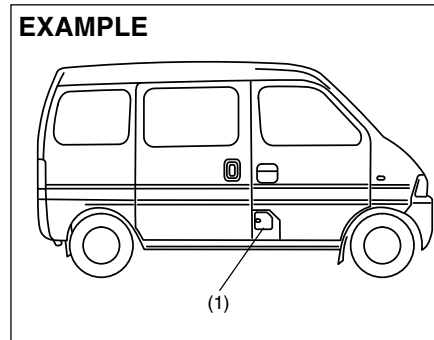


05-65D038A

Your vehicle is equipped with a manual transmission. The gear lever is shown. For details on how to use the transmission, refer to "USING THE TRANSMISSION" in the "OPERATING YOUR VEHICLE" section.

FUEL FILLER CAP

EXAMPLE

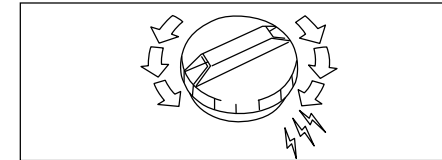


05-77A048A

The fuel filler cap (1) is located on the right side of the vehicle.

To remove the fuel cap:

- 1) Open the fuel filler door by inserting the key and turning it clockwise.
- 2) Remove the cap by turning it counterclockwise.



76A-60G069A

To install the fuel cap:

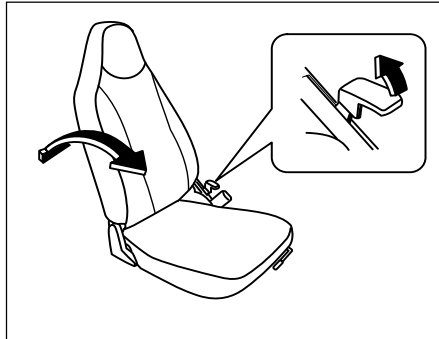
- 1) Turn the cap clockwise to lock or until you hear several clicks.
- 2) Close the fuel filler door. Turn the key counterclockwise to lock the door.

CAUTION

If you need to replace the fuel cap, use only a cap specified for your model. Using an improper fuel cap can cause a serious malfunction of the fuel system. You can get the correct replacement cap from your MARUTI SUZUKI dealer.

OTHER CONTROLS AND EQUIPMENT

FOLDING SEATS (Driver's side only)



83B004

Reclining type front seats (if equipped)

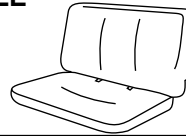
The front seats can be reclined. To recline the seatback, pull up the lever on the in-board side of the seat, move the seatback to the desired position, and release the lever to lock the seatback in place.

▲ WARNING

Never drive the vehicle with the seats folded fully back. Seatbacks should always be in a fairly upright position when driving, or seat belt effectiveness may be reduced. Seat belts are designed to offer maximum protection when seatbacks are in the fully upright position.

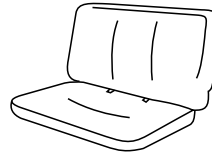
6-3

EXAMPLE



2nd row fixed seat (if equipped)

This seat is fixed firmly and cannot be folded.



3rd row fixed seat (if equipped)

This seat is fixed firmly and cannot be folded.

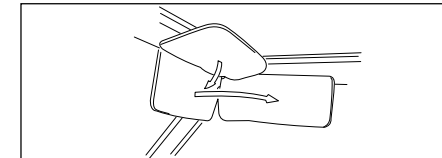
▲ WARNING

When returning a rear seat to the normal position, make sure that movement of the seatback is unobstructed and the seatback is securely latched.

▲ WARNING

Luggage or other cargo should be stowed in the luggage compartment with the rear seat in an upright position, whenever possible. If you need to carry cargo in the passenger compartment with the rear seat back folded forward, be sure to secure the cargo or it may be thrown about, causing injury. Never pile cargo higher than the seatbacks.

SUN VISOR

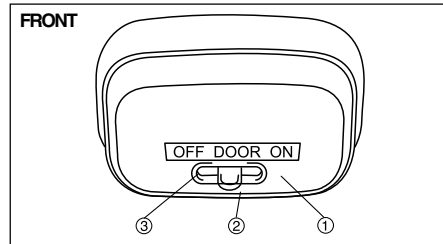


05-76A015A

The sun visors can be pulled down to block glare coming through the wind screen, or they can be unhooked and turned to the side to block glare coming through the side window.

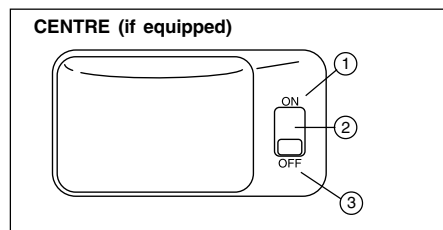
38

INTERIOR LIGHT SWITCH



This light switch has three positions which functions as described below:

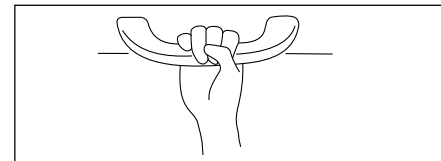
- ① The light comes on and stays on regardless of whether the driver's door is open or closed.
- ② The light comes on when the driver's door is opened.
- ③ The light remains off even when the driver's door is opened.



This light switch has three positions which functions as described below:

- ① The light comes on and stays on regardless of whether the driver's door is open or closed.
- ② The light comes on when the driver's door is opened.
- ③ The light remains off even when the driver's door is opened.

ASSIST GRIPS

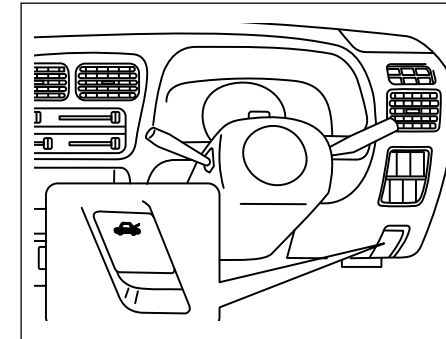


Assist grips are provided for passenger convenience.

▲ WARNING

Do not hang items on the assist grips. They could obstruct the driver's view, resulting in an accident, or could be thrown about in an accident or abrupt manoeuvre, causing injury.

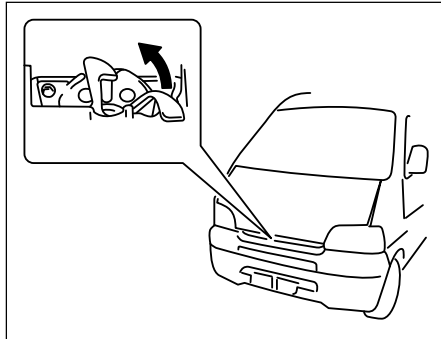
BONNET



To open the bonnet:

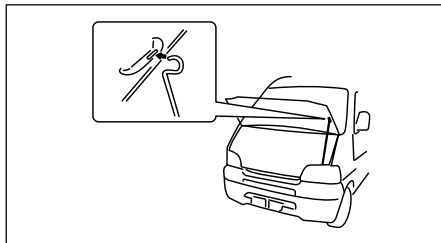
- 1) Pull the bonnet release handle located on the outboard side of the driver's side of the instrument panel. This will disengage the bonnet lock halfway.

OTHER CONTROLS AND EQUIPMENT



05-76A049A

- 2) Push the under-bonnet release lever upwards with your finger, as shown in the illustration. While pushing the lever, lift up the bonnet.



05-76A050A

- 3) Continue to lift up the bonnet until it is high enough to support with the prop rod.

⚠ WARNING

Make sure the bonnet is fully closed and latched before driving. If it is not, it can fly up unexpectedly during driving, obstructing your view and resulting in an accident.

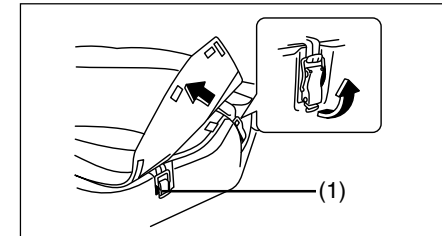
ENGINE COMPARTMENT

To open the engine compartment:

- 1) Adjusting the front seatback to the fairly upright position.
- 2) Slide the front seat to the rearmost position.

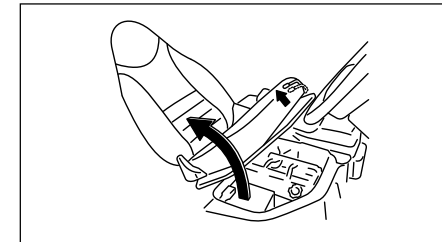
NOTE:

Refer to the "SEAT ADJUSTMENT" section for details on how to recline the seatback and how to slide the seat.



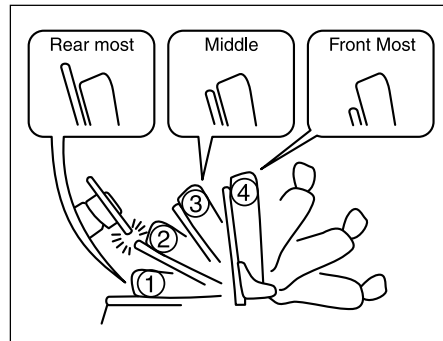
83B022

- 3) Unhook the two lock levers on the front end of the seat by pulling the bottom portion of the lock lever (1).



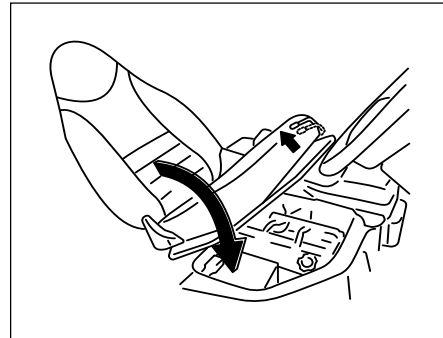
02-76A053A

- 4) Pull up the seat adjustment lever and hold it there, and raise the seat slowly. Be sure to keep the seat adjustment lever pulled up until the seat is fully raised.



02-76A054A

- 5) Different positions of the seat while the lever is held as shown above.



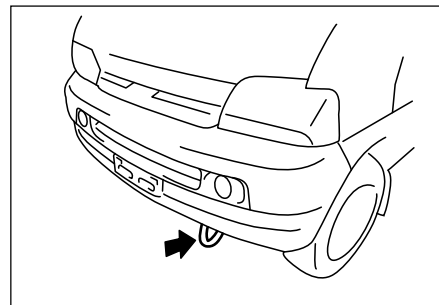
02-76A057A

To close the engine compartment, reverse the procedure used to open the engine compartment. Be sure to raise the seat adjustment lever fully and hold while lowering the seat. After closing (push to lock the lock lever) the engine compartment, try to move the seat and seatback forward and rearward to ensure that it is securely latched.

⚠ WARNING

Make sure that the driver's seat and seatback are properly adjusted and locked before you start driving.

FRAME HOOKS



83B013

A hook is provided on the front of the vehicle for use in emergency situations. To tow your vehicle on the road or highway, follow the instruction of "TOWING" in "EMERGENCY SERVICE" section.

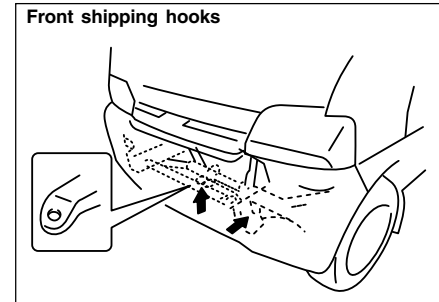
The shipping hooks are provided on both the front and rear of the vehicle for shipping use.

Do not use these shipping hooks for other than shipping purpose.

⚠ WARNING

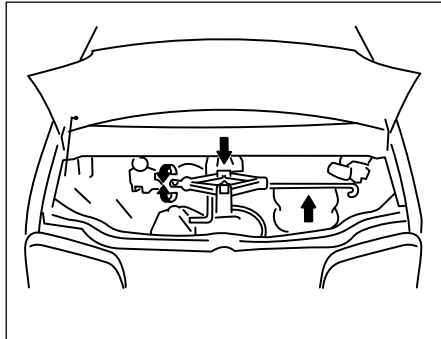
Do not use these hooks to tow (or be towed by) another vehicle on the road or highway except in emergency situations.

Front shipping hooks



OTHER CONTROLS AND EQUIPMENT

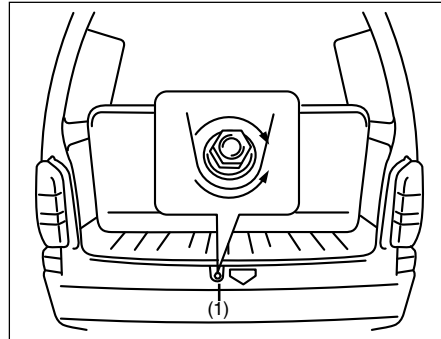
TYRE CHANGING TOOLS



05-76A018

The jack and jack handle are stowed in the compartment under the bonnet.

To remove the jack, turn its shaft counterclockwise and pull the jack out of the storage bracket. To stow the jack, place it in the storage bracket and turn the shaft clockwise until the jack is securely held in place.



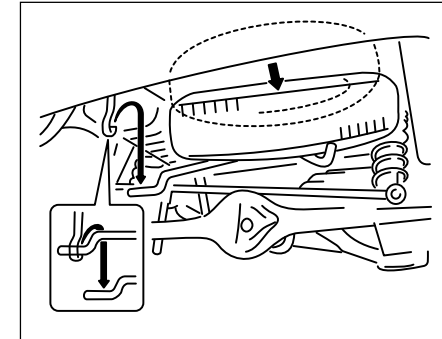
05-77A055A

⚠ WARNING

The jack should be used only to change wheels. It is important to read the jacking instructions in the "Emergency service" section of this manual before attempting to use the jack.

⚠ WARNING

After using the jack, jack handle be sure to stow them securely or they can cause injury if an accident occurs.



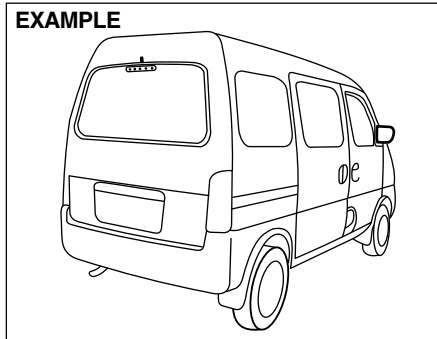
05-77A067A

The spare tyre is stowed under the rear floor.

To remove the spare tyre:

- 1) Loosen the spare tyre holder hook bolt (1).
- 2) Unhook the spare tyre holder and lower it slowly.
- 3) Remove the tyre.

HIGH MOUNT STOP LAMP



High mount stop lamp is provided on back door. The stop lamp will glow when the brake pedal will be depressed.

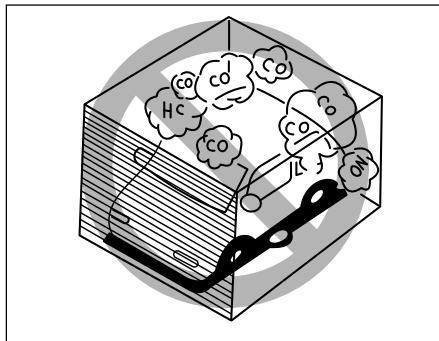
To change the bulb of the stop lamp, remove the clips at both sides of the cover, by pressing the inner pin inside so that the clip gets loose and remove the bulb on turning it anticlock-wise

The rating of each bulb is 5W/12V. There are five bulbs in high mount stop lamp.

OPERATING YOUR VEHICLE

Exhaust gas warning	7-1
Daily inspection checklist.....	7-1
Starting the engine	7-2
Using the transmission.....	7-3
Braking	7-4
Running-in	7-4
Catalytic converter.....	7-5
Improving fuel economy	7-6

EXHAUST GAS WARNING



06-70G143A

⚠ WARNING

Avoid breathing exhaust gases. Exhaust gases contain carbon monoxide, a potentially lethal gas that is colourless and odorless. Since carbon monoxide is difficult to detect by itself, be sure to take the following precautions to help prevent carbon monoxide from entering your vehicle.

- Do not leave the engine running in garages or other confined areas.

(Continued)

(Continued)

- Do not park with the engine running for a long period of time, even in an open area. If it is necessary to sit for a short time in a parked vehicle with the engine running, make sure the air intake lever is set to "FRESH AIR" and the fan is at high speed.
- Avoid operating the vehicle with the rear door open. If it is necessary to operate the vehicle with the rear door open, make sure all the windows are closed, and the fan is at high speed with the air intake lever set to "FRESH AIR".
- To allow proper operation of your vehicle's ventilation system, keep the air inlet grille in front of the windscreen clear of snow, leaves, or other obstructions at all times.
- Keep the exhaust tailpipe area clear of snow and other material to help reduce the buildup of exhaust gases under the vehicle. This is particularly important when parked in blizzard conditions.

(Continued)

- Have the exhaust system inspected periodically for damage and leaks. Any damage or leaks should be repaired immediately.

DAILY INSPECTION CHECKLIST



06-76A023A

Before driving:

- 1) Make sure that windshield, windows, mirrors, lights, and reflectors are clean and unobstructed.
- 2) Check the tyres.
- 3) Look for fluid and oil leaks.

NOTE:

It is normal for water to drip from the air conditioning system after use.

- 4) Adjust the seat and head restraint. (if adjustable)
- 5) Check the brake pedal and the parking brake lever.
- 6) Adjust the mirrors.

OPERATING YOUR VEHICLE

- 7) Make sure that you and passengers have properly fastened the seat belts.
- 8) Make sure that all warning lights come on as the key is turned to the "ON" or "START" position.
- 9) Check all gauges.
- 10) Make sure that the BRAKE FLUID LEVEL WARNING light and the PARKING BRAKE INDICATOR light (if equipped) are off after the parking brake is released.

Once a week, or each time you fill your fuel tank, perform the following under-hood/engine compartment checks:

- 1) Engine oil level.
- 2) Coolant level.
- 3) Brake fluid level.
- 4) Windscreen washer fluid level.
- 5) Battery solution level.
- 6) Hood latch operation.

Pull the hood release handle inside the vehicle. Make sure that you can not open the hood all the way without releasing the secondary latch. Be sure to close the hood securely after checking for proper latch operation. See "All Latches, Hinges & Locks" of "BODY" in the "PERIODIC MAINTENANCE SCHEDULE" in the "INSPECTION AND MAINTENANCE" section for lubrication schedule.

7-2

▲ WARNING

Make sure the hood is fully closed and latched before driving. If it is not, it can fly up unexpectedly during driving, obstructing your view and resulting in an accident.

STARTING THE ENGINE

Before starting the engine:

- 1) Make sure the parking brake is applied fully.
- 2) Manual Transmission – Shift into "N" (Neutral) and depress the clutch pedal all the way to the floor. Hold it while starting the engine.
- 3) Start the engine according to the following procedures:

▲ WARNING

Make sure that the parking brake is applied fully and the transmission is in Neutral before attempting to start the engine.

CAUTION

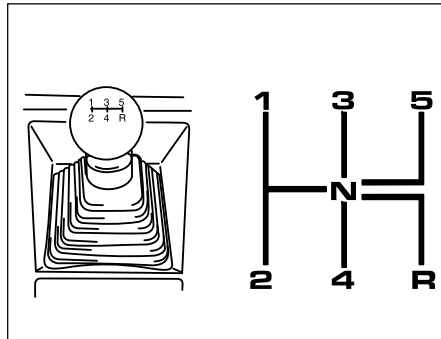
- **Stop turning the starter immediately after the engine has started or the starter system can be damaged.**
- **Do not crank the engine for more than 15 seconds at a time. If the engine doesn't start on the first try, wait about 15 seconds before trying again.**

Cold and warm engine

With your foot off the accelerator pedal, crank the engine by turning the ignition key to "START". Release the key when the engine starts.

If the engine does not start after 15 seconds of cranking, wait about 15 seconds, and again crank. If the engine does not start again wait for 15 seconds after every attempt to crank. In case of failure of starting please consult MARUTI SUZUKI dealer.

USING THE TRANSMISSION



06-60A177A

The table shows the maximum allowable speed for each gear

Gear position	Maximum speed (kmph)
1	39
2	69
3	102
4	Top speed
5	Top speed

To avoid shock Loads on the drive line, the down shift must not exceed the following

Down Shift	Maximum speed (kmph)
2nd → 1st	10
3rd → 2nd	35
4th → 3rd	50
5th → 4th	Any Speed

Starting off

To start off, push in the clutch pedal and change into 1st gear. After releasing the parking brake, gradually release the clutch. When you hear a change in the engine's sound, slowly press the accelerator while continuing to gradually release the clutch.

Gear changing

All forward gears are synchronized, which provides for quiet, easy changing. Always push in the clutch pedal fully before changing gears.

⚠ WARNING

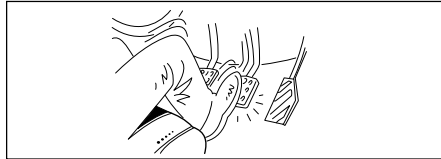
- Reduce your speed and change down to a lower gear before going down a long or steep hill. A lower gear will allow the engine to provide braking. Avoid riding the brakes or they may overheat, resulting in brake failure.
- When driving on slippery roads, be sure to slow down before changing down. Excessive and or sudden changes in engine speed may cause loss of traction, which could cause you to lose control.
- Make sure that the vehicle is completely stationary before you change into reverse.

CAUTION

- To help avoid clutch damage, do not use the clutch pedal as a footrest while driving or use the clutch to keep the vehicle stationary on a hill. Depress the clutch fully when changing gear.
- When changing gears or starting off, do not race the engine. Racing the engine can shorten engine life and prevent smooth operation.

OPERATING YOUR VEHICLE

BRAKING



06-76A015A

The distance needed to bring any vehicle to a halt increases with the speed of the vehicle. The braking distance needed, for example, at 60 km/h will be approximately 4 times greater than the braking distance needed at 30 km/h. Start to brake the vehicle when there is plenty of distance between your vehicle and the stopping point, and slow down gradually.

▲ WARNING

If water gets into the brake drums, brake performance may become poor and unpredictable. After driving through water or washing the underside of the vehicle, test the brakes while driving at a slow speed to see if they have maintained their normal effectiveness. If the brakes are less effective than normal, dry them by repeatedly applying the brakes while driving slowly until the brakes have regained their normal effectiveness.

Servo assisted brakes

Your vehicle has servo assisted brakes. If servo assistance is lost due to a stalled engine or other failures, the system is still fully operational on reserve power and you can bring the vehicle to a complete stop by pressing the brake pedal once and holding it down. The reserve power is partly used up when you depress the brake pedal and reduces each time the pedal is pressed. Apply smooth and even pressure to the pedal. Do not pump the pedal.

▲ WARNING

Even without reserve power in the brake system, you can still stop the vehicle by pressing the brake pedal harder than normally required. However, the stopping distance may be longer.

▲ WARNING

Do not switch off the engine while vehicle is in motion. e.g. This will cause loss of vacuum assistance leading to reduction of braking of substantially.

▲ WARNING

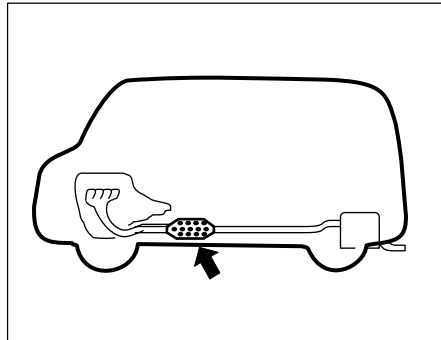
On loose surface where the wheels can easily loose traction (such as gravel etc.) the stopping distance required for your vehicle may be greater than for a comparable vehicle with a convontional brake system. Allow for extra stopping distance when driving on loose surface.

RUNNING-IN

CAUTION

The future performance and reliability of the engine depends on the care and restraint exercised during its early life. It is especially important to observe the following precautions during the initial 1000 kms of vehicle operation.

- After starting, do not race the engine. Warm it up gradually.
- Avoid prolonged vehicle operation at a constant speed. Moving parts will break in better if you vary your speed.
- Start off from a stop slowly. Avoid full throttle starts.
- If possible, avoid hard braking, especially during the first 320 kms of driving.
- Do not drive slowly with the transmission in a high gear.
- Drive the vehicle at moderate engine speeds.

CATALYTIC CONVERTER

06-76A044A

The purpose of the catalytic converter is minimize the amount of harmful pollutants in your vehicle exhaust. Use of leaded fuel in vehicles equipped with catalytic converters is prohibited, because lead deactivates the pollutant reducing components of the catalyst system.

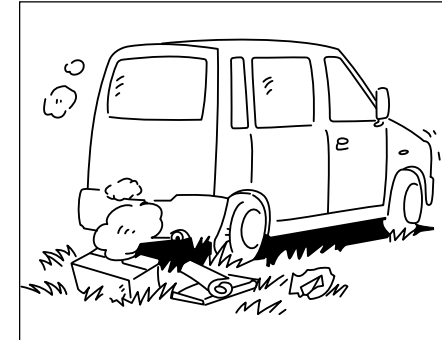
The converter is designed to last the life of the vehicle under normal usage and when unleaded fuel is used. No special maintenance is required on the converter. However, it is very important to keep the engine properly tuned. Engine misfiring, which can result from an improperly tuned engine,

may cause overheating of the catalyst. This may result in permanent heat damage to the catalyst and other vehicle components.

CAUTION

To minimize the possibility of catalyst or other vehicle damage:

- Maintain the engine in the proper operating condition.
- In the event of an engine malfunction, particularly one involving engine misfire or other apparent loss of performance, have the vehicle serviced promptly.
- Do not turn off the engine or interrupt the ignition when the transmission is in gear and the vehicle is in motion.
- Do not try to start the engine by pushing or towing the vehicle, or coasting down a hill.
- Do not idle the engine with any spark plug wires disconnected or removed, such as during diagnostic testing.
- Do not idle the vehicle for prolonged periods if idling seems rough or there are other malfunctions.
- Do not allow the fuel tank to get near the empty level.



06-76A004A

▲ WARNING

Be careful where you park and drive; the catalytic converter and other exhaust components can get very hot. As with any vehicle, do not park or operate this vehicle in areas where combustible materials such as dry grass or leaves can come in contact with a hot exhaust system.

OPERATING YOUR VEHICLE

IMPROVING FUEL ECONOMY

The following instructions will help you to improve fuel economy.

Avoid excessive idling:

If you are to wait for more than a minute while you are parked, stop the engine and start it again later. When warming up a cold engine, do not allow the engine to idle or apply full throttle until the engine has reached operating temperature. Allow the engine to warm up by driving.

Avoid "fast" starts:

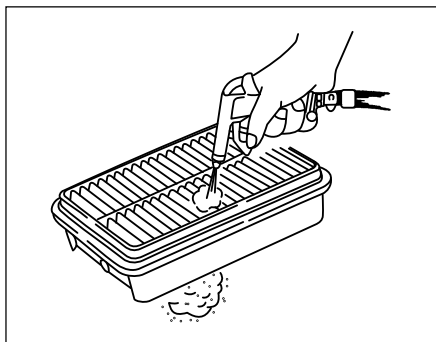
Fast starts away from lights or stop signs will consume fuel unnecessarily and shorten engine life. Start off slowly.

Avoid unnecessary stops:

Avoid unnecessary deceleration and stopping. Try to maintain a slow, steady speed whenever possible. Slowing down and then accelerating again uses more fuel.

Keep a steady cruising speed:

Keep as constant a speed as road and traffic conditions will permit.



06-60G087A

Keep the air cleaner clean:

A dirty air cleaner will cause too much fuel supply to the engine for the amount of air being supplied. The result is waste of fuel due to incomplete combustion.

Keep weight to a minimum:

The heavier the load, the more fuel the vehicle consumes. Take out any luggage or cargo when it is not necessary.

Keep tyre pressures correct:

Underinflation of the tyres can waste fuel due to increased running resistance of the tyres. Keep your tyres inflated to the

correct pressure shown on the label located below the driver's side door latch striker.

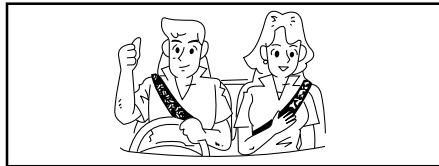
▲ WARNING

Never drive the vehicle when the water level on the road is more than 300 mm. Water may enter into the engine causing damage in engine. It will not be covered under warranty.

DRIVING TIPS

High-speed driving	8-1
Driving on hills	8-1
Driving on slippery roads	8-2
Driving on wet roads	8-2
Do's and Dont's for Safe Driving	8-3

DRIVING TIPS



07-60A184A

▲ WARNING

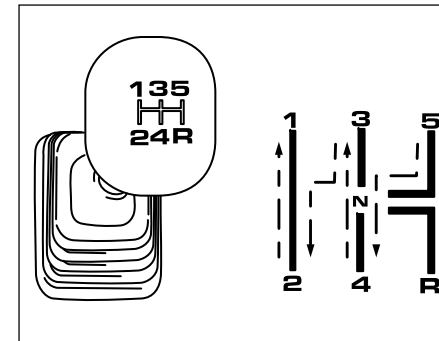
- **Wear Your Seat Belts at All Times. The driver and all passengers should be properly restrained at all times, using the seatbelts provided. Refer to the "SEATBELTS" section for instructions on proper use of the seat belts.**
- **Never drive while under the influence of alcohol or other drugs. Alcohol and drugs can seriously impair your ability to drive safely, greatly increasing the risk of injury to yourself and others. You should also avoid driving when you are tired, sick, irritated, or under stress.**

HIGH-SPEED DRIVING

When driving at a high-speed, pay attention to the following:

- Stopping distance progressively increases with vehicle speed. Apply the brakes far enough ahead of the stopping point to allow for the extra stopping distance.
- On rainy days, "Aquaplaning" can occur. "Aquaplaning" is the loss of direct contact between the road surface and the vehicle's tyres due to a water film forming between them. Steering or braking the vehicle while "Aquaplaning" can be very difficult, and loss of control can occur. Keep speed down when the road surface is wet.
- At high speeds, the vehicle may be affected by side winds. Therefore, reduce speed and be prepared for unexpected buffeting, which can occur at the exits of tunnels, when passing by a cut of a hill, or when being overtaken by large vehicles, etc.

DRIVING ON HILLS



07-76A005A

- When climbing steep hills, the car may begin to slow down and show a lack of power. If this happens, you should change to a lower gear so that the engine will again be operating in its normal power range. Change rapidly to prevent the car from losing momentum.
- When driving down a hill, the engine should be used for braking by shifting to next lower gear.

▲ WARNING

Try not to hold the brake pedal down too long or too often while going down a steep or long hill. This could cause the brakes to overheat, resulting in reduced braking efficiency. Failure to take this precaution could result in loss of vehicle control.

CAUTION

When descending a down hill, NEVER turn the ignition key to the "OFF" position. Emission control system damage may result.

DRIVING ON SLIPPERY ROADS



07-76A021A

Under wet road conditions you should drive at a lower speed than on dry roads due to possible slippage of tyres during braking. When driving on icy, snowcovered, or muddy roads, reduce your speed and avoid sudden acceleration, abrupt braking, or sharp steering movements.

53

● **If Your Vehicle Gets Stuck**

If your vehicle gets stuck in snow, mud, or sand, follow the directions below:

- 1) Change back and forth between first gear and reverse. This will create a rocking motion which may give you enough momentum to free the vehicle. Press gently on the accelerator to keep wheel spin to a minimum. Remove your foot from the accelerator while changing gear. Do not race the engine. Excessive wheel spin will cause the tyres to dig deeper, making it more difficult to free the vehicle.
- 2) If your vehicle remains stuck after a few minutes of rocking, get another vehicle to pull you out.

▲ WARNING

Do not allow anyone to stand near the vehicle when you are rocking it, and do not spin the wheels faster than an indicated 40 km/h on the speedometer. Personal injury and/or vehicle damage may result from spinning the wheels too fast.

CAUTION

Do not continue rocking the vehicle for more than a few minutes. Prolonged rocking can cause engine overheating or transmission damage.

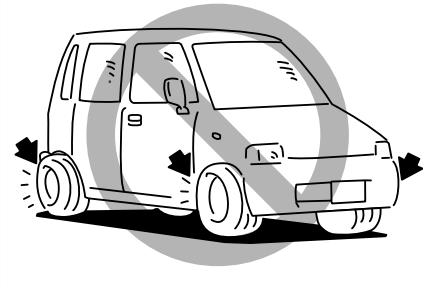
DRIVING ON WET ROADS

CAUTION

- When driving on wet roads, avoid driving through large amount of standing water on the road. Large amount of water entering the engine compartment may cause damage to the engine and or electrical components.
- If stuck in deep water, do not start till water level drops.
- Water is incompressible substance, water inside engine is harmful to the engine."

DRIVING TIPS

DON'T



⚠ WARNING

In addition to following the driving tips in this section, it is important to observe the following precautions.

- Make sure your tyres are in good condition and always maintain the specified tyre pressure. Refer to "TYRES" in the "INSPECTION AND MAINTENANCE" section for details.
- Do not use tyres other than those specified by MARUTI SUZUKI. Never use different sizes or types of tyres on the front and rear wheels. For information regarding

(Continued)

(Continued)

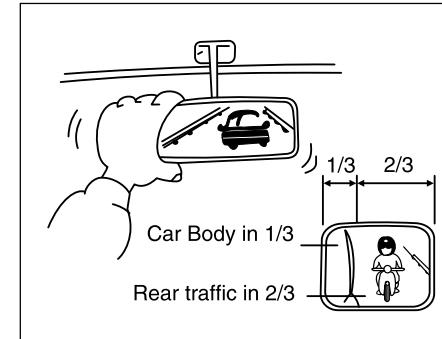
the specified tyres, refer to the "SPECIFICATIONS" section.

- Never use oversize tyres or special shock absorbers and springs to raise (jack up) your vehicle. This will change the handling characteristics.
- After driving through water, test the brakes while driving at a slow speed to see if they have maintained their normal effectiveness. If the brakes are less effective than normal, dry them by repeatedly applying the brakes while driving slowly until the brakes have regained their normal effectiveness.

Do's and Don't's for Safe Driving

Exercise care in handling your vehicle. Be conscious of not only your own safety but also the safety of others on the road, and thus enjoy the best and most comfortable driving experience.

This section contains basic rules for safe driving. Read it carefully for good understanding of the content so that you can enjoy safe and pleasant driving in your Maruti Suzuki vehicle.



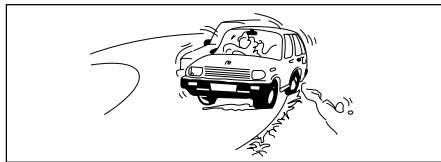
72F-08-002

Starting

- 1) Adjust the driver's seat for the proper driving posture.
- 2) Adjust the rear view mirror so as to obtain the best possible rear view.
- 3) Before moving off, look forward and back to confirm safety.
- 4) Don't start quickly, since it is dangerous and wastes fuel.

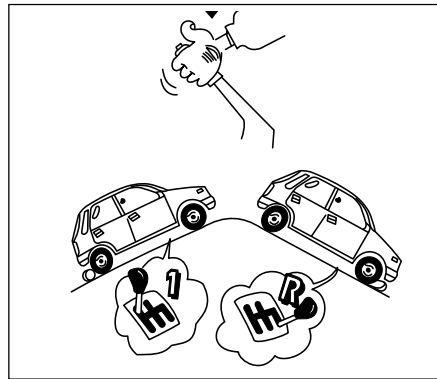
General driving

- 1) Be sure to stop before the stop light and stop sign. When moving into the inter-section without any traffic lights or signs, drive slowly to confirm safety.



72F-08-008

- 2) Always follow other vehicles at a safe distance in order to prevent a rear-end collision, in case the vehicle ahead make a sudden stop.
- 3) Turn ON the turn signal at least 30 meters before making a turn or changing the lane so as not to be hit from behind.
- 4) Before entering a corner, decelerate to a safe speed. Don't apply brakes during cornering, or a cornering skid may occur.
- 5) When overtaking other vehicles, watch out for the oncoming vehicle and carefully confirm the safety.
- 6) Don't attempt zigzag driving which will hinder your control over the vehicle and cause an accident.



72F-08-011

Braking

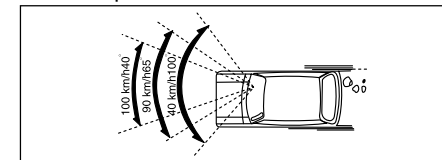
- 1) Use the parking brake when parking your vehicle and shift the gear shift lever into the first gear or reverse gear position for the sake of safety.
- 2) Don't use handbraking unless unavoidable. It causes the vehicle to skid and a rear-end collision occur. It is especially dangerous when the tyres are worn, for they allow a larger skid.



72F-08-012

Use foot brake in three stages

1. Warn the vehicle behind you
 2. Gradually apply the brake.
 3. Bring the vehicle to a halt.
- 3) When driving on a downhill, try not to apply the brake but use the engine brake effectively. Overuse of the foot-brake may result in total brake failure.
 - 4) Avoid reckless high speed driving and try to drive at a safe speed suitable for the road conditions while maintaining a constant speed.



72F-08-015

- 5) The higher the speed, the narrower the driver's visual range becomes. In such a state, it is difficult to anticipate any hazard and the driver feels much fatigued.

DRIVING TIPS

- 6) Never do sharp handling during high speed driving. You will lose your control over your vehicle.
- 7) When overtaking or changing the lane while driving at a high speed, keep an ample vehicle-to-vehicle distance.

Long distance driving

- 1) Be sure to perform safety checks before starting a trip.
- 2) Take rest at certain intervals to prevent an accident which may occur when you are sleepy or tired.



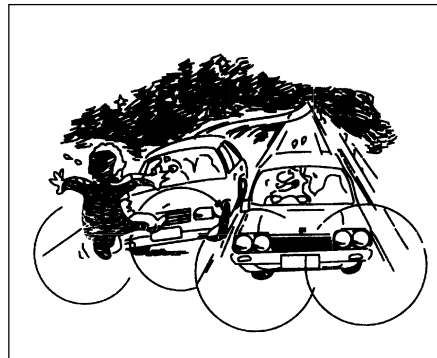
72F-08-020

Night time driving

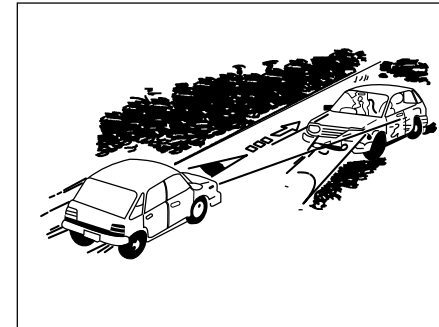
- 1) Drive more slowly at night than in the daytime, for the visual range is restricted at night.

8-5

- 2) Don't overtake other vehicles at night. Darkness bothers your sense of speed and hinders your judgement on the vehicle-to-vehicle distance.
- 3) Don't use the high headlight beam unless its use is inevitable. Its dazzle may blitz the driver of the oncoming vehicle, thus causing an accident.
- 4) Always keep the window glasses clean. Don't operate the windshield wiper when the windshield glass is dry or the wiper blade and glass may get dam-aged.



72F-08-021



72F-08-022

Margin For Safety

It is important to allow yourself a margin for safety during driving so that you can cope with erroneous or unexpected driving of other drivers. For that, observe the following.

- Drive at a safe speed.
- Maintain a sufficient distance between your vehicle and the vehicle ahead.
- Don't force yourself to overtake other vehicles.
- Don't make quick start, hard steering or sudden stops.
- Allow an ample time in the driving schedule.
- Observe traffic rules and regulations.

Conclusion

A perfect driver does not exist. The endeavour of every motorist should be to strive for perfection. Safety consciousness not only ensures your safety and the safety of other road users, it also helps reduce the wear and tear on your vehicle, prolongs its life, gives more mileage and ensures a comfortable driving experience.

Follow the do's and don'ts listed, and driving will never be the same again.

VEHICLE LOADING

▲ WARNING

Never overload your vehicle. The gross vehicle weight (sum of the weights of the loaded vehicle, driver, and passengers) must never exceed the Gross Vehicle Weight rating (GVWR).

▲ WARNING

Always distribute cargo evenly. To avoid personal injury or damage to your vehicle, always secure cargo to prevent it from shifting if the vehicle moves suddenly. Place heavier objects on the floor and as far forward in the cargo area as possible. Never pile cargo higher than the top of the seat backs.

INSPECTION AND MAINTENANCE

Maintenance schedule.....	10-1
Periodic Maintenance Schedule.....	10-2
Drive belt.....	10-7
Engine oil and filter.....	10-7
Gear oil.....	10-10
Engine coolant.....	10-11
Windscreen washer fluid.....	10-13
Air cleaner.....	10-13
Spark plugs.....	10-14
Brakes.....	10-15
Steering.....	10-17
Clutch pedal.....	10-17
Tyres.....	10-17
Tubeless tyre.....	10-19
Battery.....	10-21
Fuses.....	10-22
Bulb replacement.....	10-23
Wiper blades.....	10-26
Air Conditioning System (if equipped).....	10-27

MAINTENANCE SCHEDULE



09-60A187A

▲ WARNING

You should take extreme care when working on your vehicle to prevent accidental injury. Here are a few precautions that you should be especially careful to observe:

- Do not leave the engine running in garages or other confined areas.
- When the engine is running, keep hands, clothing, tools, and other objects away from the fan and water pump belt. Even though the fan may not be moving, it can automatically turn on without warning.
- When it is necessary to do service work with the engine running, make sure that the parking brake is applied fully and the transmission is in Neutral.

Continued

Continued

- Do not touch ignition wires or other ignition system parts when starting the engine or when the engine is running, or you could receive an electric shock.
- Be careful not to touch a hot engine exhaust manifold and pipes, muffler, radiator and water hoses.
- Do not allow smoking, sparks, or flames around gasoline or the battery. Flammable fumes are present.
- Do not get under your vehicle if it is supported only with the portable jack provided in your vehicle.
- Be careful not to cause accidental short circuits between the positive and negative battery terminals.
- Keep used oil, coolant, and other fluids away from children and pets. Dispose of used fluids properly; never pour them on the ground, into sewers, etc.



The following table shows the times when you should perform regular maintenance on your vehicle. This table shows in kilometres and months when inspections, adjustments, lubrication and other services.

CAUTION

Whenever it becomes necessary to replace parts on your vehicle, it is recommended that you use MARUTI genuine replacement parts MGP.

**PERIODIC MAINTENANCE
SCHEDULE**

NOTE :

This table includes services as scheduled upto 80,000 km mileage. Beyond 80,000 km, carry out the same services at the same intervals respectively.

⚠ WARNING

Maruti Suzuki recommends that maintenance in your Maruti Suzuki vehicles be performed by Maruti Suzuki Authorised Workshops.

INSPECTION AND MAINTENANCE

“A” Adjust.

“T” Tighten to specified torque.

“R” Replace or change.

“L” Lubricate.

“I” Inspect and correct or replace if necessary

“C” Clean.

“O” ... Rotate.

Note:

This table includes services as scheduled up to 80,000 km mileage Beyond 80,000 km, carry out the same services at the same intervals respectively.

Interval: This interval should be judged by odometer reading or months, whichever comes first.	km (x 1,000) months	FREE INSPECTIONS			PERIODIC MAINTENANCE SERVICE AT COST							
		1	5	10	20	30	40	50	60	70	80	
		1	6	12	24	36	48	60	72	84	96	
ENGINE												
1. Water pump drive belt (tension, wear)		A	I	I	I	I	I	I	R	A	I	
2. Engine coolant (level, leakage)		I	I	I	R	I	R	I	R	I	R	
3. Engine oil (SG+,SH,SJ OR SL) & Oil filter		—	—	R	R	R	R	R	R	R	R	
4. Cooling system hoses and connections (leakage, damage)		I	I	I	I	I	I	I	I	I	I	
5. Engine bolts (All cylinder head and manifold fixings)		—	—	T	—	T	—	T	—	T	—	
6. Engine mounting (loose, damage)		—	—	T	—	T	—	T	—	T	—	
7. Valve clearance		—	A	—	A	—	A	—	A	—	A	
8. Camshaft timing belt (damage, wear)		—	—	—	I	—	I	—	I	—	I	
		Replace every 1,00,000 km										
9. Exhaust system (noise, leakage or otherwise defective)		—	I	—	I	—	I	—	I	—	I	
10. Positive crankcase ventilation System (Hoses, connections and valve)		—	I	—	I	—	I	—	I	—	I	
11. Damage on oil sump		I	I	I	I	I	I	I	I	I	I	
IGNITION												
1. Ignition wiring, (damage, deterioration)		—	—	—	I	—	I	—	I	—	I	
2. Spark plugs (clean and adjust the gap)		—	—	I	R	I	R	I	R	I	R	

INSPECTION AND MAINTENANCE

Interval: This interval should be judged by odometer reading or months, whichever comes first.	km (x 1,000) months	FREE INSPECTIONS			PERIODIC MAINTENANCE SERVICE AT COST						
		1	5	10	20	30	40	50	60	70	80
		1	6	12	24	36	48	60	72	84	96
FUEL											
1. Air cleaner	Paved-road Dusty condition	Clean every 5,000 km. Replace every 40,000 km. Clean every 2,500 km. or as required. Replace every 40,000 km. More frequent replacement if dust condition is severe.									
2. Accelerator cable and Throttle shafts		—	I&L	I&L	I&L	I&L	I&L	I&L	I&L	I&L	I&L
3. Fuel tank cap, fuel lines & connections (leakage, damage)		—	I	—	—	—	I	—	—	—	I
4. Fuel filter (leakage)		I	I	I	I	I	R	I	I	I	R
CLUTCH AND TRANSMISSION											
1. Clutch pedal (play)		I	I	I	I	I	I	I	I	I	I
2. Clutch slipping (dragging or excessive damage)		I	I	I	I	I	I	I	I	I	I
3. Transmission and Differential oil (level, leakage)		I	I	I	R	I	R	I	R	I	R
4. Gear Shifter Cables		I	I	I	I	I	I	I	I	I	I
BRAKE											
1. Brake fluid (level, leakage)		I	I	I	R	I	R	I	R	I	R
2. Brake pedal (pedal-to-wall clearance)		I	I	I	I	I	I	I	I	I	I
3. Parking brake lever and cable (play, damage)		I	I	I	I	I	I	I	I	I	I
4. Brake discs & pads (wear)		—	I	I	I	I	I	I	I	I	I
5. Brake drums & shoes		—	—	I	I	I	I	I	I	I	I
6. Master cylinder and wheel cylinder (oil leakage, boot kit)		I	I	I	I	I	R	I	I	I	R
7. Brake hoses and pipes (leakage, damage)		I	I	I	I	I	I	I	I	I	I

INSPECTION AND MAINTENANCE

Interval: This interval should be judged by odometer reading or months, whichever comes first.	km (x 1,000) months	FREE INSPECTIONS			PERIODIC MAINTENANCE SERVICE AT COST							
		1	5	10	20	30	40	50	60	70	80	
		1	6	12	24	36	48	60	72	84	96	
WHEEL												
1. Tyres (air pressure, abnormal wear, crack, ROTATION)		I&O	I&O	I&O	I&O	I&O	I&O	I&O	I&O	I&O	I&O	
2. Wheels (damage)												
3. Front wheel bearings (loose, damage)	—											
4. Rear wheel bearings (loose, damage)	—											
FRONT AND REAR SUSPENSION												
1. Suspension strut (oil leakage, damage)												
2. Suspension arms and knuckle supports (loose,damage)	—											
3. Rear spring (damage)	—											
4. Shock absorbers (oil leakage, damage)												
5. All bolts and nuts (loose)	—	T	T	T	T	T	T	T	T	T	T	
6. Suspension arms and Tension rods	—											
STEERING												
1. Steering wheel (play, loose)												
2. All rods and arms (loose, damage, wear)												
3. Tilt Steering Operation (if equipped)												
ELECTRICAL												
1. Battery electrolyte (level, leakage)												
2. Wiring harness connection (looseness, damage)	—											
3. Lighting system (operation, stains, damage)												
4. Horn (operation)												
5. System voltage	—											
6. Cigarette Ligher (if equipped)												

INSPECTION AND MAINTENANCE

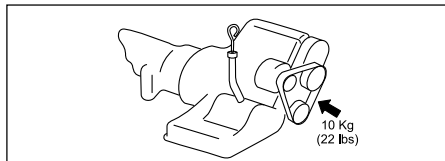
Interval: This interval should be judged by odometer reading or months, whichever comes first.	km (x 1,000) months	FREE INSPECTIONS			PERIODIC MAINTENANCE SERVICE AT COST							
		1	5	10	20	30	40	50	60	70	80	
		1	6	12	24	36	48	60	72	84	96	
BODY & CHASSIS												
1. All chassis bolts and nuts (tighten)	—	I	T	T	T	T	T	T	T	T	T	
2. All Latches, Hinges & Locks (function)	I	I&L	I&L	I&L	I&L	I&L	I&L	I&L	I&L	I&L	I&L	
3. Seat Belt Condition & Operation	I	I	I	I	I	I	I	I	I	I	I	
4. Seat Latch, Lever & Knob Operation	I	I	I	I	I	I	I	I	I	I	I	
5. Propeller Shaft	I	I	I	I	I	I	I	I	I	I	I	
ROAD TEST												
1. Operation of Brakes, Gear shifting & speedometer	I	I	I	I	I	I	I	I	I	I	I	
2. Body and Chassis noise	I	I	I	I	I	I	I	I	I	I	I	
AIR CONDITIONER (if equipped)												
1. Check belt tension	I	I	I	I	I	I	I	I	I	I	I	
2. Check receiver drier bubbles	I	I	I	I	I	I	I	I	I	I	I	
3. Tighten compressor mounting bolts	—	T	T	T	T	T	T	T	T	T	T	
4. Check all hose joints, tighten if necessary	I	I	I	I	I	I	I	I	I	I	I	
5. Check functioning of Recir flap	I	I	I	I	I	I	I	I	I	I	I	
6. Clean condenser with low pressure water	I	C	C	C	C	C	C	C	C	C	C	
7. Check belt for frayed edges, change if necessary	—	I	I	I	I	I	I	I	I	I	I	
8. Check all mounting bolts	—	I	I	I	I	I	I	I	I	I	I	

DRIVE BELT

For this inspection, the vehicle must be raised and supported firmly. If you can not support the vehicle firmly, have this job done by your MARUTI SUZUKI dealer.

▲ WARNING
Never get under the vehicle supported only by the jack provided on your vehicle. The vehicle not supported firmly can fall down and you may get injured or even death.

▲ WARNING
When the engine is running, keep hands, hair, clothing, tools, etc. away from the fan and drive belt. Even though the fan may not be moving, it can automatically turn on without warning.

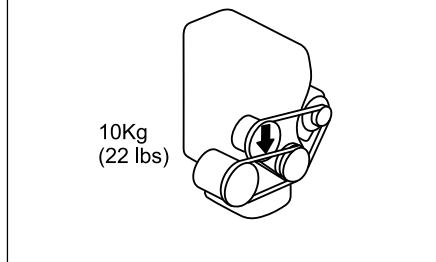


09-77A023A

Belt deflection
5-7mm (0.20-0.28 in.)

Make sure the drive belt tension is correct. If the belt is too loose, insufficient battery charging, engine overheating, or excessive belt wear can result. When you press the belt with your thumb midway between the pulleys, there should be a deflection between the specified values.

Air conditioner belt

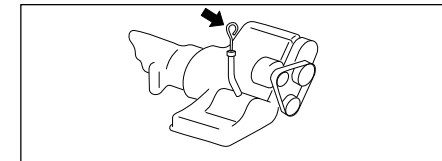


09-76a006a

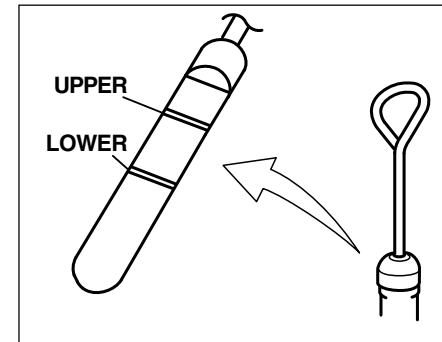
Belt deflection
8-11mm (0.31-0.43 in.)

The belt should also be examined to ensure that it is not damaged. If the belt needs to be replaced or adjusted, have it done by your MARUTI SUZUKI dealer.

ENGINE OIL AND FILTER

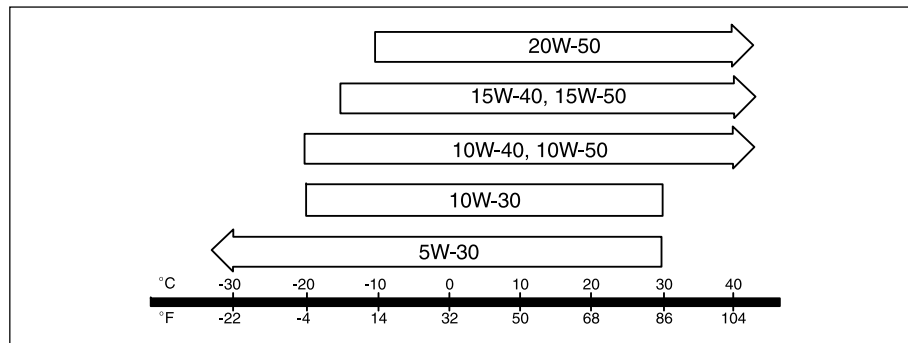


09-77A035A



83B-023

INSPECTION AND MAINTENANCE



09-76A074A

Specified oil

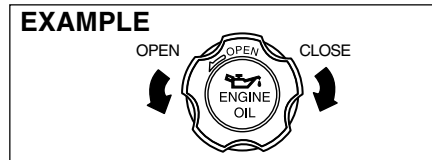
Be sure that the engine oil you use comes under the quality classification of SG+, SH, SJ or SL. Select the appropriate oil viscosity according to the above chart.

For temperatures above -4°F (-20°C), we highly recommended you use **SAE 5W30** oil.

Oil Level Check

It is important to keep the engine oil at the correct level for proper lubrication of your vehicle's engine. Check the oil level with the vehicle on a level surface. The oil level indication may be inaccurate if the vehicle is on a slope. The oil level should be checked either before starting the engine or at least 5 minutes after stopping the engine.

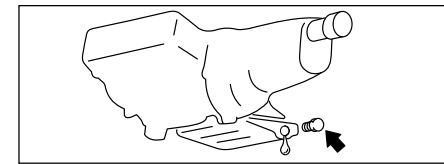
Pull out the oil dipstick, wipe oil off with a clean cloth, insert the dipstick all the way into the engine, then remove it again. The oil on the stick should be between the upper and lower limits shown on the stick. If the oil level indication is near the lower limit, add enough oil to raise the level to the upper limit.



09-60A196A

Refilling

Remove the oil filler cap and pour oil slowly through the filler hole to bring the oil level to the upper limit on the dipstick. Be careful not to overfill. Too much oil is almost as bad as too little oil. After refilling, start the engine and allow it to idle for about a minute. Stop the engine, wait about 5 minutes and check the oil level again.



09-77A058A

Changing Engine Oil and Filter

Drain the engine oil while the engine is still warm.

- 1) Remove the oil filler cap.
- 2) Place a drain pan under the drain plug.
- 3) Using a wrench, remove the drain plug and drain out the engine oil.

▲ WARNING

The engine oil temperature may be high enough to burn your fingers when the drain plug is loosened. Wait until the drain plug is cool enough to touch with your bare hands.

▲ WARNING

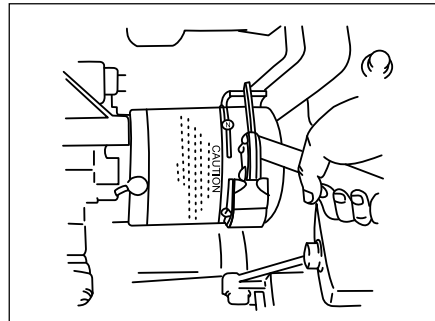
New and used oil can be hazardous. Children and pets may be harmed by swallowing new or used oil. Keep new and used oil and used oil filters away from children and pets. Continuous contact with used engine oil has been found to cause (skin) cancer in laboratory animals. Brief contact with used oil may irritate skin.

To minimize your exposure to used oil, wear a long-sleeve shirt and moistureproof gloves (such as dishwashing gloves) when changing oil. If oil contacts your skin, wash thoroughly with soap and water. Launder any clothing or rags if wet with oil.

Recycle or properly dispose of used oil and filters.

- 4) Reinstall the drain plug and gasket. Tighten the plug with a wrench to the specified torque

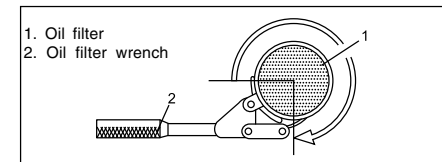
Tightening torque specification
 $34.5 \pm 5 \text{ N}\cdot\text{m}$
 $(3.5 \pm 0.5 \text{ Kg}\cdot\text{m}, 25.3 \pm 3.61 \text{ b}\cdot\text{ft}).$



09-60A198A

Replace the oil filter

- 1) Using an oil filter wrench, turn the oil filter counterclockwise and remove it.
- 2) Using a clean rag, wipe off the mounting surface on the engine where the new filter will be seated.
- 3) Smear a little engine oil around the rubber gasket of the new oil filter.
- 4) Screw on the new filter by hand until the filter gasket contacts the mounting surface.



09-60B141A

CAUTION

To tighten the oil filter properly, it is important to accurately identify the position at which the filter gasket first contacts the mounting surface.

- 5) Tighten the filter to the specified torque using an oil filter wrench.

Tightening torque specification
 $14.0 \pm 2 \text{ N}\cdot\text{m}$

CAUTION

To prevent oil leakage, make sure that the oil filter is tight, but do not over-tighten it.

INSPECTION AND MAINTENANCE

GEAR OIL

Refill with oil and check for leaks.

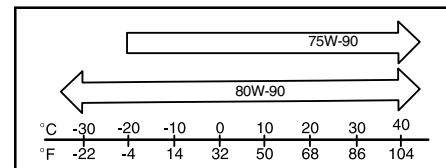
- 1) Pour oil through the filler hole and install the filler cap.
For the approximate capacity of the oil, refer to the "CAPACITIES" item in the "SPECIFICATIONS" section.
- 2) Start the engine and look carefully for leaks at the oil filter and drain plug. Run the engine at various speeds for at least 5 minutes.
- 3) Stop the engine and wait for 5 minutes. Check the oil level again and add oil if necessary. Check for leaks again.

CAUTION

When replacing the oil filter, it is recommended that you use a MARUTI genuine replacement filter.

CAUTION

Oil leaks from around the oil filter or drain plug indicate incorrect installation or gasket damage. If you find any leaks or are not sure that the filter has been properly tightened, have the vehicle inspected by your MARUTI SUZUKI dealer.

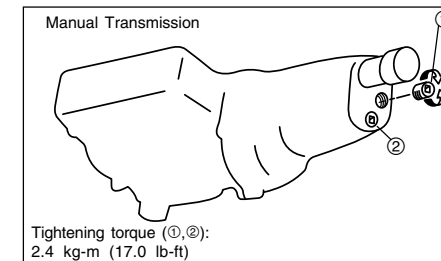


09-60G166A

Specified Gear Oil

When replacing gear oil, use the appropriate viscosity and grade as shown in the chart below and quantity shown in the "SPECIFICATIONS" section. We highly recommend you use **SAE 75W-90** gear oil. (**SAE 80W-90** for differential).

	API GRADE
Manual transmission	GL-4
Differential	GL-5 (Hypoid gear oil)



09-77A059A

① Oil filler and level plug

② Oil drain plug

Gear oil level check

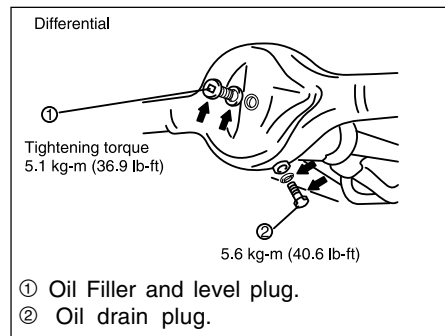
The manual transmission and differentials are lubricated with gear oil. To check the gear oil level in of the above locations use the following procedure:

- 1) Park the vehicle on a level surface with the parking brake applied. The stop the engine.
- 2) Remove the oil filler plug ①.
- 3) If the oil level comes upto the bottom of the oil filler plug hole, the oil level is correct. If so, reinstall the plug.
- 4) If the oil level is low, add gear oil through the oil filler plug hole ① until the oil level reaches the bottom of the oil filler hole, then reinstall the plug.

Gear oil change

To change the gear oil in manual transmission or differential, use the following procedure:

- 1) Remove the oil filler plug ①.
- 2) Remove the drain plug ②, drain the oil, and reinstall the drain plug.
- 3) Pour new gear oil of the specified type through the oil filler hole until the oil level reaches the bottom of the oil filler hole.
- 4) Reinstall the oil filler plug.



09-76A071A

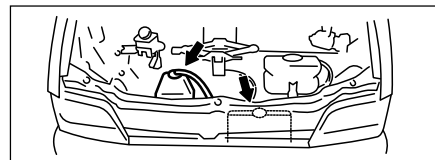
⚠ WARNING

After driving the vehicle, the gear oil temperature may be high enough to burn you. Wait until the oil filler plug is cool enough to touch with your bare hands before inspecting or replacing gear oil.

CAUTION

When tightening these plugs, apply sealing compound to the plug threads to prevent oil leakage, and tighten them to the specified torque shown in the diagram.

ENGINE COOLANT



09-77A025A

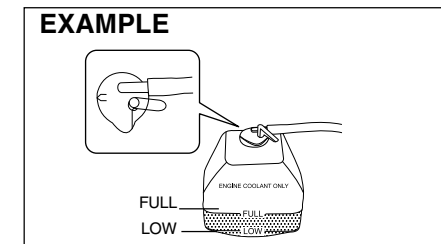
Coolant Level Check

Check the coolant level at the reservoir tank, not at the radiator. With the engine cool, the coolant level should be between the "FULL" and "LOW" marks.

Adding Coolant

If the Coolant level is below the "LOW" mark, more coolant should be added. Remove the reservoir tank cap and add coolant until the reservoir tank level reaches the "FULL" mark. Never fill the reserve tank above the "FULL" mark.

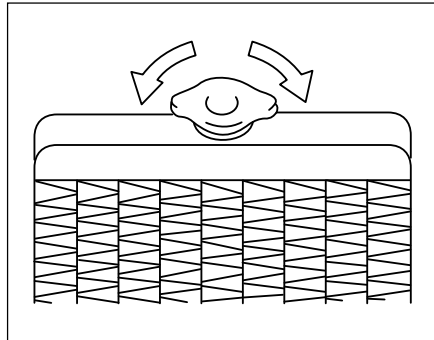
EXAMPLE



09-60A208A

CAUTION

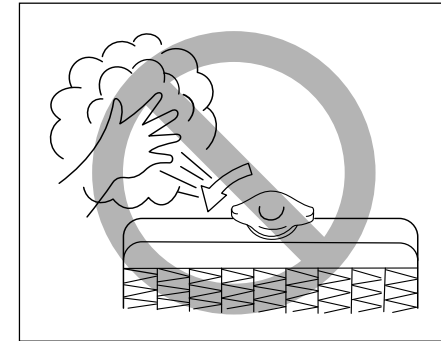
- When adding or replacing coolant, use a high quality ethylene glycol antifreeze diluted with distilled water. If the lowest ambient temperature in your area is expected to be -15°C (5°F) or above, make the antifreeze concentration of the mixture you use at least 30% but no more than 50%. If -16°C (3°F) or below, make the concentration at least 50%. If the 50% concentration does not provide adequate protection against freezing, follow the instructions on the antifreeze container to obtain the desired freezing point.
- When putting the cap on the reservoir tank, line up the arrow on the cap and the arrow on the tank, or coolant can leak out.



09-60G099A

For regular maintenance, you do not need to remove the radiator cap. But, if you need to remove the radiator cap for some reason, do as follows:

When the engine is cool, remove the radiator cap by turning it slowly to the left until a "stop" is felt. Do not press down while turning the cap. Wait until any pressure is released, then press down on the cap and continue turning it anticlockwise.



09-70G146A

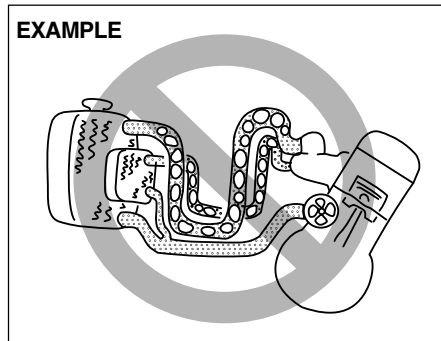
⚠ WARNING

It is hazardous to remove the radiator cap when the water temperature is high, because scalding fluid and steam may be blown out under pressure. Wait until the coolant temperature has lowered before removing the cap.

Coolant Replacement

if you simply drain and refill the cooling system, much air will be trapped in the cooling system and the engine will be overheated.

WINDSCREEN WASHER FLUID

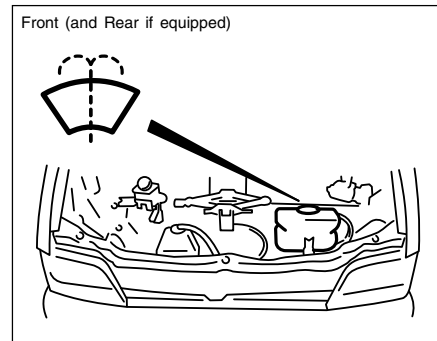


09-77A044A

The air trapped in the cooling system must be bled when filling coolant. Trust this job to your MARUTI SUZUKI dealer.

CAUTION

Do not drive the vehicle with the air trapped in the cooling system. If you do, the engine will overheat and can be damaged.



09-77A072A

Check that there is washer fluid in the tank. Refill it if necessary. Use a good quality windscreen washer fluid, diluted with water as necessary.

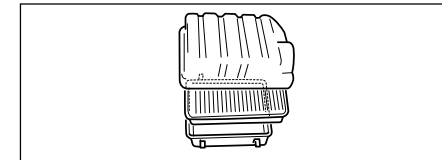
▲ WARNING

Do not use "anti-freeze" solution in the windscreen washer reservoir. This can severely impair visibility when sprayed on the windscreen, and also damage your vehicle's paint.

CAUTION

Damage may result if the washer motor is operated with no fluid in the washer tank.

AIR CLEANER



09-76A064A

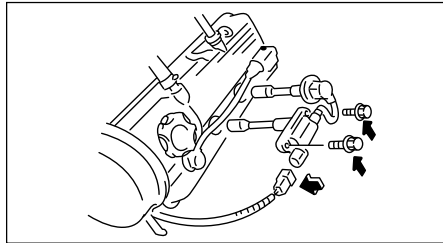
If the air cleaner is clogged with dust, intake resistance will be increased with a resultant decrease in power output and increase in fuel consumption.

Check and clean periodically according to the following procedure:

1. Take off the air cleaner case cover. Remove the element from the air cleaner case cover.
2. This air cleaner element is of dry type. Remember that it needs cleaning according to the following method.
3. Blow off dust on cleaner element by compressed air from inside the element, or replace the element as necessary.

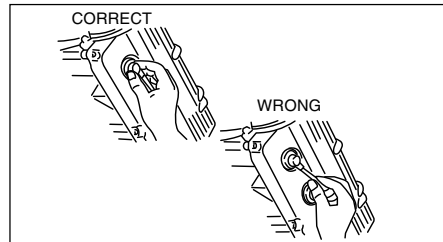
INSPECTION AND MAINTENANCE

SPARK PLUGS



09-76A007A

You should inspect spark plugs periodically for carbon deposits. When carbon accumulates on a spark plug, a strong spark may not be produced. Remove carbon deposits with a wire or pin and adjust the spark plug gap.



09-76A008A

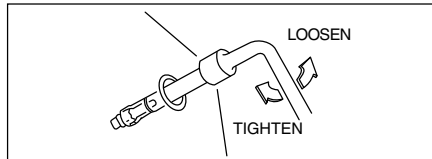
To access the spark plugs,

1. disconnect the coupler while pushing the release lever,
2. remove the bolts, and
3. pull the spark plug boots.

CAUTION

- When disconnecting the spark plug cables, pull on the boot, not on the cable itself. Pulling on the cable can damage it.

Continued



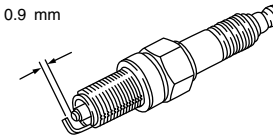
09-76A009A

Spark plug Tightening torque
20.0 - 30.0 N-m
(2.0 - 3.0 kg-m, 15.0-22.0 lb-ft)

Continued

- When installing the spark plugs, screw them in with your fingers to avoid stripping the threads. Tighten with a torque wrench to the specified torque. Do not allow contaminants to enter the engine through the spark plug holes when the plugs are removed.
- Never use spark plugs with the wrong thread size.

0.8 ~ 0.9 mm



09-60B307A

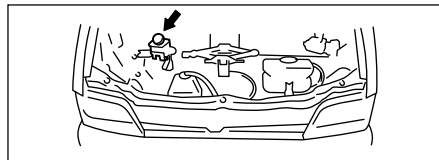
CAUTION

When replacing spark plugs, you should use the brand and type specified for your vehicle. For the specified plugs, refer to the "SPECIFICATIONS" section at the end of this book.

NOTE:

If your engine is equipped with the high-tension cord type ignition wiring and you experience some firing problem of spark plugs, such as, hard engine-starting, mis-fire etc., the cause may be located not only on spark plugs but also on deteriorated ignition wirings (generally, used for more than 80,000 km or five years). If spark plug replacement does not solve the problem, have the ignition wiring and other ignition system inspected by your MARUTI SUZUKI dealer.

BRAKES



09-77A026A

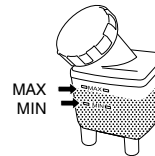
Brake Fluid

Check the brake fluid level by looking at the reservoir in the engine compartment. Check that the fluid level is between the "MAX" and "MIN" lines. If the brake fluid level is near the "MIN" line, fill it up to the "MAX" line with MARUTI GENUINE brake fluid.

▲ WARNING

Failure to follow the guidelines below can result in personal injury or serious damage to the brake system.

Continued



▲ WARNING

- If the brake fluid in the reservoir drops below a certain level, the brake warning light on the instrument cluster will come on (the engine must be running with the parking brake fully disengaged). Should the light come on, immediately ask your MARUTI SUZUKI dealer to inspect the brake system.
- A rapid fluid loss indicates a leak in the brake system which should be inspected by your MARUTI SUZUKI dealer immediately.

Continued

Continued

- Brake fluid can harm your eyes and damage painted surfaces. Use caution when refilling the reservoir.
- Do not use any fluid other than MARUTI GENUINE brake fluid. Do not use reclaimed fluid or fluid that has been stored in old or open containers. It is essential that foreign particles and other liquids are kept out of the brake fluid reservoir.

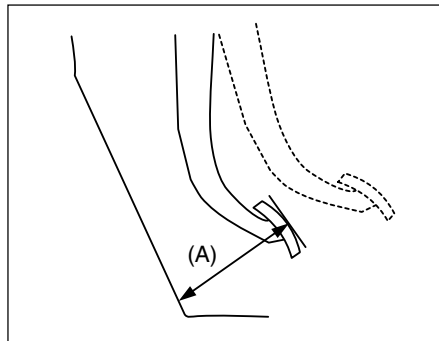
NOTE:

With disc brakes, the fluid level can be expected to gradually fall as the brake pads wear.

Brake Pedal

Check if the brake pedal stops at the regular height without "spongy" feeling when you depress it. If not, have the brake system inspected by your MARUTI SUZUKI dealer. If you doubt the brake pedal for the regular height, check it as follows:

INSPECTION AND MAINTENANCE



Pedal to wall minimum distance (A)

145 mm (5.7 in.)

With the engine running, measure the distance between the brake pedal and floor wall when the pedal is depressed with approximately 30 kg (66 lbs) of force. The minimum distance required is as specified. Since your vehicle's brake system is self-adjusting, there is no need for pedal adjustment. If the pedal to floor wall distance as measured above is less than the minimum distance required, have your vehicle inspected by your MARUTI SUZUKI dealer.

10-16

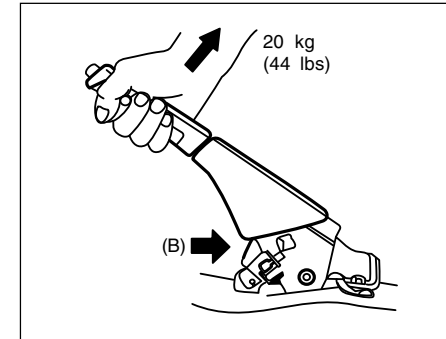
NOTE:

When measuring the distance between the brake pedal and floor wall, be sure not to include the floor mat or rubber on the floor wall in your measurement.

▲ WARNING

If you experience any of the following problems with your vehicle's brake system, have the vehicle inspected immediately by your MARUTI SUZUKI dealer.

- Poor braking performance
- Uneven braking (Brakes not working uniformly on all wheels.)
- Excessive pedal travel
- Brake dragging
- Excessive noise
- Pedal pulsation (Pedal pulsates when depressed.)



Ratchet tooth specification (B)

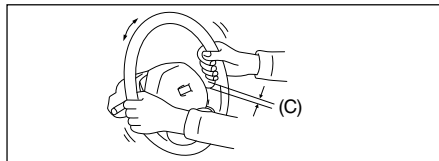
4th - 7th

Parking brake

Check the parking brake for proper adjustment by counting the number of clicks made by the ratchet teeth as you slowly pull up on the parking brake lever to the point of full engagement. The parking brake lever should stop between the specified ratchet teeth and the rear wheels should be securely locked. If the parking brake is not properly adjusted or the brakes drag after the lever has been fully released, have the parking brake inspected and/or adjusted by your MARUTI SUZUKI dealer.

74

STEERING

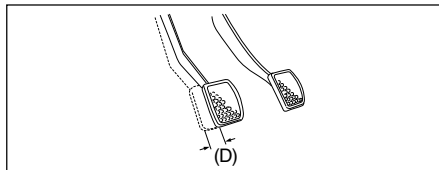


09-60B163A

Steering wheel play (C)
0 – 30 mm (0.0 – 1.2 in.)

Check the play of the steering wheel by gently turning it from left to right and measuring the distance that it moves before you feel slight resistance. The play should be between the specified values. Check that the steering wheel turns easily and smoothly without rattling by turning it all the way to the right and to the left while driving very slowly in an open area. If the amount of free play is outside the specification or you find anything else to be wrong, an inspection must be performed by your MARUTI SUZUKI dealer.

CLUTCH PEDAL

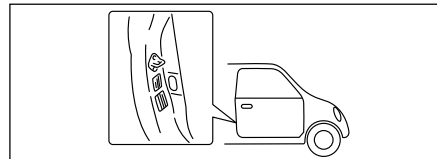


09-60G107A

Clutch pedal play (D)
10 – 15 mm (0.4 – 0.6 in.)

Measure the clutch pedal play by moving the clutch pedal with your hand and measuring the distance it moves until you feel slight resistance. The play in the clutch pedal should be between specified values. If the play is more or less than the above, or clutch dragging is felt with the pedal fully depressed, have the clutch inspected by your MARUTI SUZUKI dealer.

TYRES



09-77A029A

The front and rear tyre pressure specifications for your vehicle are listed on the Tyre Information Label which is located on the driver's door lock pillar. Both the front and rear tyres should have the specified tyre pressure.

Tyre Inspection

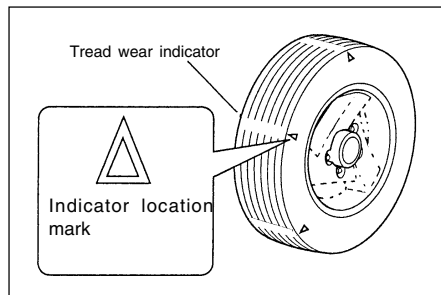
Inspect your vehicle's tyres periodically by performing the following checks:

- 1) Measure the air pressure with a tyre gauge. Adjust the pressure if necessary.

▲ WARNING

- Air pressures should be checked when the tyres are cold or you may get inaccurate readings.
- Check the inflation pressure from time to time while inflating the tyre gradually, until the specified pressure is obtained.
- Never underinflate or overinflate the tyres.
- Underinflation can cause unusual handling characteristics or can cause the rim to slip on the tyre bead, resulting in an accident or damage to the tyre or rim.
- Overinflation can cause the tyre to burst, resulting in personal injury. Overinflation can also cause unusual handling characteristics which may result in an accident.

INSPECTION AND MAINTENANCE



09-81A056A

- 2) Check that the depth of the tread groove is more than 1.6 mm (0.06 in). To help you check this, the tyres have moulded-in tread wear indicators in the grooves. When the indicators appear on the tread surface, the remaining depth of the tread is 1.6 mm (0.06 in) or less and the tyre should be replaced.
- 3) Check for abnormal wear, cracks and damage. Any tyres with cracks or other damage should be replaced. If any tyres show abnormal wear, have them inspected by your MARUTI SUZUKI dealer.

⚠ WARNING

Hitting curbs and running over rocks can damage tyres and affect wheel alignment. Be sure to have tyres and wheel alignment checked periodically by your MARUTI SUZUKI dealer.

- 4) Check for loose wheel nuts.
- 5) Check that there are no nails, stones, or other objects sticking into the tyres.

⚠ WARNING

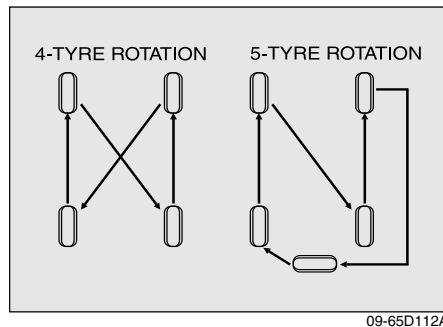
Your MARUTI SUZUKI is equipped with tyres which are all the same type and size. This is important to ensure proper steering and handling of the vehicle. Never mix tyres of different size or type on the four wheels of your vehicle. The size and type of tyres used should be only those approved by MARUTI SUZUKI as standard or optional equipment for your vehicle.

⚠ WARNING

Replacing the wheels and tyres equipped on your vehicle with certain combinations of aftermarket wheels and tyres can significantly change the steering and handling characteristics of your vehicle. Therefore, use only those wheel and tyre combinations approved by MARUTI SUZUKI as standard or optional equipment for your vehicle.

CAUTION

Replacing the original tyres with tyres of a different size may result in false speedometer or odometer readings. Check with your MARUTI SUZUKI dealer before purchasing replacement tyres that differ in size from the original tyres.



Tyre Rotation

To avoid uneven wear of your tyres and to prolong their life, rotate the tyres as illustrated. Tyres should be rotated as mentioned in periodic maintenance schedule. After rotation, adjust front and rear tyre pressures to the specification listed on your vehicle's Tyre Inflation Pressure Label.

Wheel Balancing

If the vehicle vibrates abnormally on smooth road, have the wheel balanced at Maruti Suzuki Authorized Workshop.

Wheel Alignment

In case of abnormal tyre wear or pulling towards one side, have the wheel aligned at Maruti Suzuki Authorized Workshop.

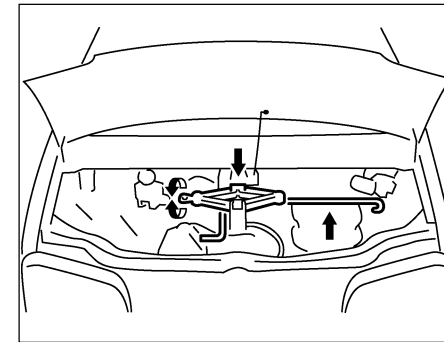
77

Tubeless Tyres

The vehicle is equipped with Tubeless Tyres. In tubeless tyre, a thin layer of butyl rubber is used for lining the inside of the tubeless tyre. This layer is to prevent air loss and fulfilling the purpose of tube. The air pressure is maintained by the sealing between tyre bead and wheel rim. Tubeless tyres are having advantage of slow air loss and preventing sudden deflation while driving.

Care and maintenance tips for tubeless tyres

1. Always maintain recommended inflation pressure. Driving continuously at low inflation pressure can lead to tyre damage.
2. In case any leakage is found, check for any nail penetration/valve core damage or rim bent. Damaged wheel must not be used.
3. In case tyre has run at low pressure, it must be inspected for any defect.
4. Whenever new tyre is fitted, replace the valve.
5. If continuous high speed driving is required, increase tyres pressure by 5 psi over recommended inflation pressure.
6. Never run the tyre beyond TWI (Tread wear indicator). The tyre is recommended to be replaced when the remaining tread has worn to this point. The indicators are spaced across the tread around the tyre marked by a triangular symbol (TWI).
7. Always prefer tubeless tyre mounting machine. In case of manual mounting-tyre/wheel rim damage may occur.
8. In case of any problem, please get in touch with MARUTI SUZUKI authorised dealer.



09-77A066A

INSPECTION AND MAINTENANCE

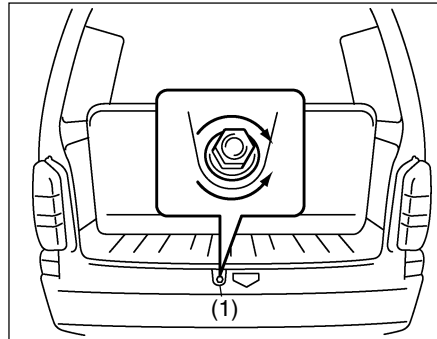
Changing Wheels

To change a tyre, use the following procedure:

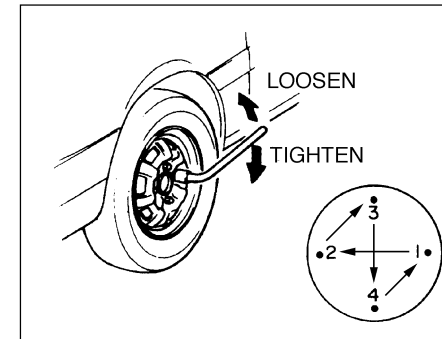
- 1) Remove the jack, tools and spare tyre from the vehicle.
To remove the spare tyre under the rear floor, loosen the support bolt (1), unhook the tyre holder and lower it slowly.
- 2) Loosen, but do not remove the wheel nuts.
- 3) Jack up the vehicle (follow the jacking instructions in the EMERGENCY SERVICE section in this manual).
- 4) Remove the wheel nuts and tyre.
- 5) Before installing the new wheel, clean any mud or dirt off from the surface of the wheel and hub with a clean cloth. Clean the hub carefully; it may be hot from driving.
- 6) Install the new tyre and replace the wheel nuts with their cone shaped end facing the wheel. Tighten each nut snugly by hand until the wheel is securely seated on the hub.

NOTE:

Ensure that support bolt (1) is tightened properly after spare wheel is placed back at its position, under the rear floor.



09-77A055A



09-76A052A

Wheel Tightening Torque

85 N-m or

8.5 kg-m (61.5 lb-ft)

- 7) Lower the jack and fully tighten the nuts to the specified torque in a crisscross fashion with a wrench as shown in the illustration.

⚠ WARNING

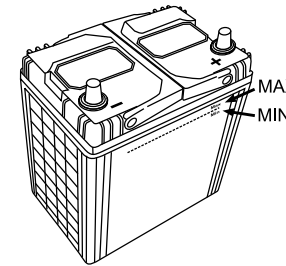
Use MARUTI genuine wheel nuts and tighten them to the specified torque as soon as possible after changing wheels. Incorrect wheel nuts or improperly tightened wheel nuts may come loose or fall off, which can result in an accident. If you do not have a torque wrench, have the wheel nut torque checked by an authorized MARUTI SUZUKI dealer.

⚠ WARNING

To avoid harm to yourself or damage to your vehicle or battery, follow the jump starting instructions in the "EMERGENCY SERVICE" section of this manual if it is necessary to jump start your vehicle.

The level of the battery solution must be kept between the "MAX" and the "MIN" level lines at all times. If the level is found to be below the "MIN" level line, add distilled water to the "MAX" level line.

Type 2



54G118

BATTERY

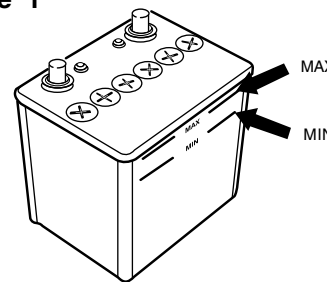
⚠ WARNING

Batteries produce flammable hydrogen gas. Keep flames and sparks away from the battery or an explosion may occur. Never smoke when working in the vicinity of the battery.

⚠ WARNING

When checking or servicing the battery, disconnect the negative cable. Be careful not to cause a short circuit by allowing metal objects to contact the battery posts and the vehicle at the same time.

Type 1



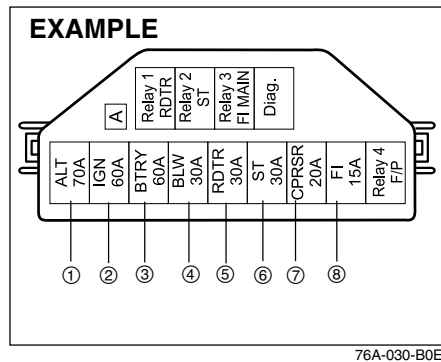
09-60A238A

You should periodically check the battery, battery terminals, and battery hold-down bracket for corrosion. Remove corrosion using a stiff brush and ammonia mixed with water, or baking soda mixed with water. After removing corrosion, rinse with clean water.

If your vehicle is not going to be driven for a month or longer, disconnect the cable from the negative terminal of the battery to help prevent discharge.

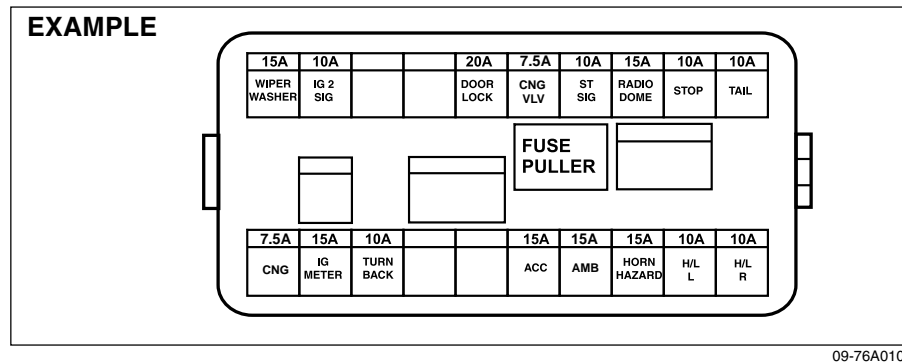
INSPECTION AND MAINTENANCE

FUSES



- ① Main fuse
- ② Ignition fuse
- ③ Primary fuse (Lighting system)
- ④ Blower fuse
- ⑤ Radiator fan motor fuse
- ⑥ Starter Fuse
- ⑦ A/C fuse (If equipped)
- ⑧ Fuel injection system fuse

10-22



Your vehicle has three types of fuses, as described below :

Main Fuse - The main fuse takes current directly from the battery.

Primary Fuse - These fuses are between the main fuse and individual fuses, and are for electrical load groups.

Individual Fuses - These fuses are for individual electrical circuits.

Main Fuse and Primary Fuses

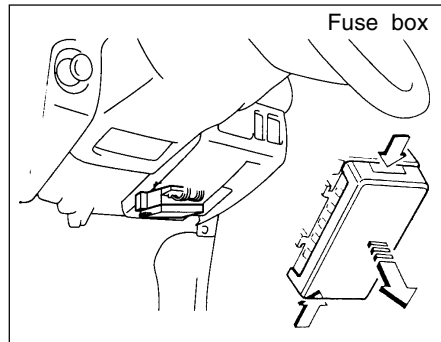
The main fuse and primary fuses are located in the engine compartment. If the main fuse blows, no electrical component will

function. If a primary fuse blows, no electrical component in the corresponding load group will function. When replacing the main fuse or a primary fuse, use a genuine MARUTI replacement.

⚠ WARNING

If the main fuse or a primary fuse blows, be sure to have your vehicle inspected by an authorized MARUTI SUZUKI dealer. Always use a genuine MARUTI replacement. Never use a substitute such as a wire even for a temporary repair, or extensive electrical damage and a fire can result.

80

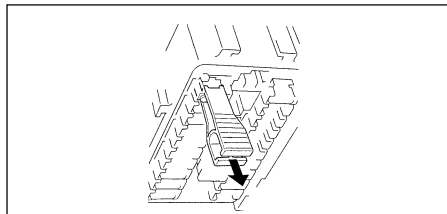


09-77A047A

09-75F058A

Fuse Box

The fuse box is located under the driver's side of the dashboard. Remove the fuse box cover by pushing in at both ends and pulling off the cover. To remove a fuse, use the fuse puller provided in the fuse box.



09-76A011A

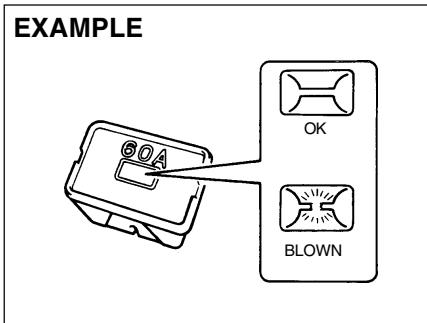
⚠ WARNING

Always be sure to replace a blown fuse with a fuse of the correct amperage. Never use a substitute such as aluminium foil or wire to replace a blown fuse. If you replace a fuse and the new one blows in a short period of time, you may have a major electrical problem. Have your vehicle inspected immediately by your MARUTI SUZUKI dealer.

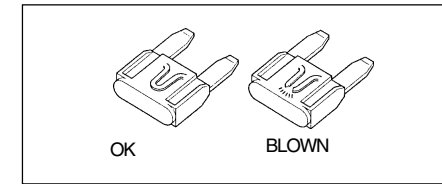
NOTE:

Make sure that the fuse box always carries spare fuses.

EXAMPLE



09-60A243A



09-65D046A

BULB REPLACEMENT

⚠ WARNING

- Light bulbs can be hot enough to burn your finger right after being turned off. This is true especially for halogen headlight bulbs. Replace the bulbs after they become cool enough.
- The headlight bulbs are filled with pressurized halogen gas. They can burst and injure you if they are hit or dropped. Handle them carefully.

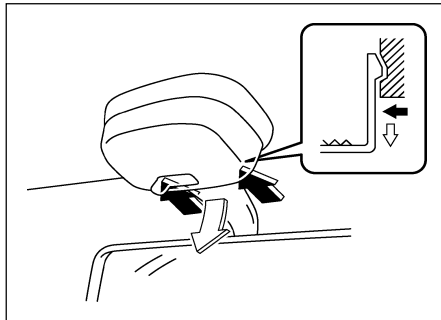
INSPECTION AND MAINTENANCE

CAUTION

The oils from your skin may cause a halogen bulb to overheat and burst when the lights are on. Grasp a new bulb with a clean cloth.

CAUTION

Frequent replacement of a bulb indicates the need for an inspection of the electrical system. This should be carried out by your MARUTI SUZUKI dealer.

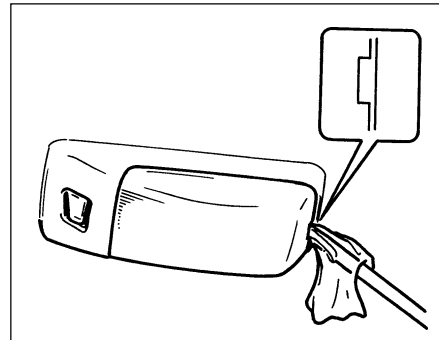


09-81A093A

Interior Light

Press the front part of the lens toward you and pull down the lens. To install it, simply push it back in.

The bulb can be removed by simply pulling it out. When replacing the bulb, make sure that the contact springs are holding the bulb securely.

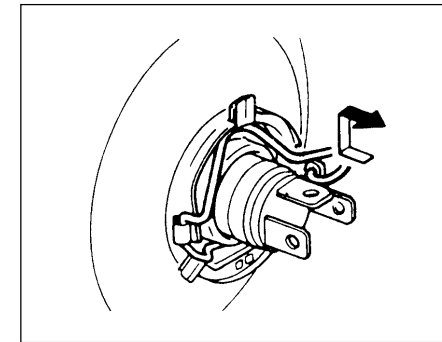


09-60G328A

Rear Interior Light (if equipped)

Pull down the lens by using a plane screw driver covered with a soft cloth as shown. To install it, simply push it back in.

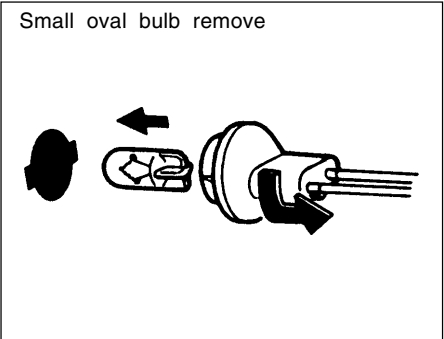
The bulb can be removed by simply pulling it out.



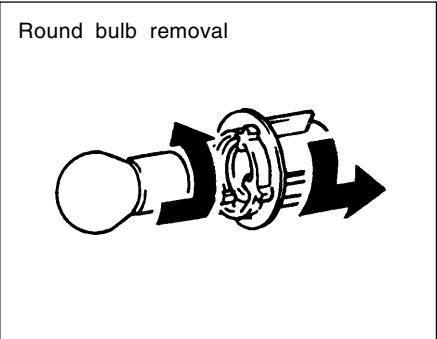
09-60B187A

Headlights

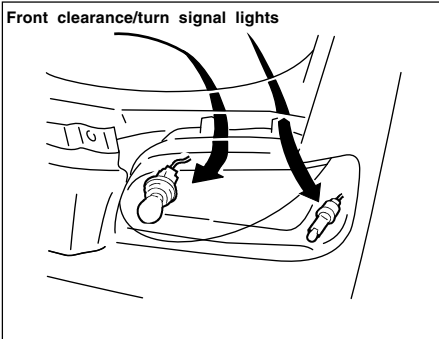
Open the bonnet. Remove the socket and rubber cover. Then unhook the bulb holding spring and replace the bulb.



09-60A251A



09-60A252A

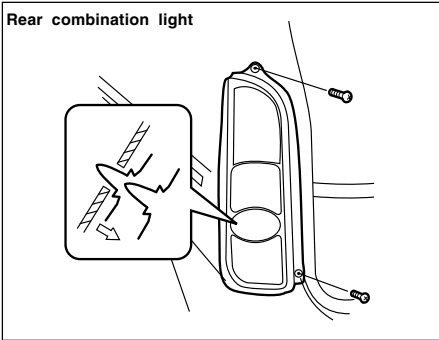


83B024

Front Clearance/Turn Signal Light, Side Turn Signal Light, rear Combination Light, Registration Plate Light, etc.
Two types (small oval and round) of bulb are used for these lights. To remove and install a small oval bulb, simply pull out or push in the bulb.

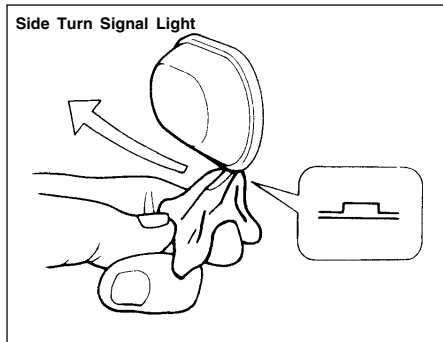
To remove a round bulb from a bulb holder, push in the bulb and turn it counterclockwise. To install a new bulb, push it in and turn it clockwise.

To remove a bulb holder from a light housing, turn the holder counterclockwise and pull it out. To install the holder, push the holder in and turn it clockwise. You can access the individual bulb holders as described on the next page:

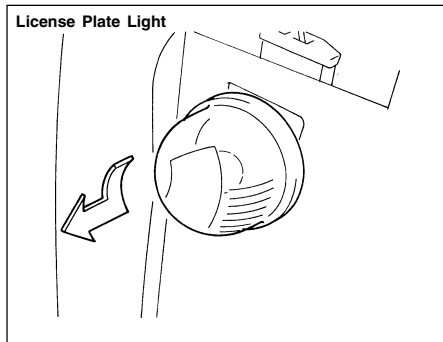


09-77A060A

WIPER BLADES



09-60B191A



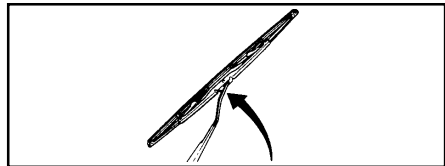
09-75F087A

If the wiper blades become brittle or damaged, or make streaks when wiping, replace the wiper blades.
To install new wiper blades, follow the procedures below.

CAUTION

To avoid scratching or breaking the window, do not let the wiper arm strike the window while replacing the wiper blade.

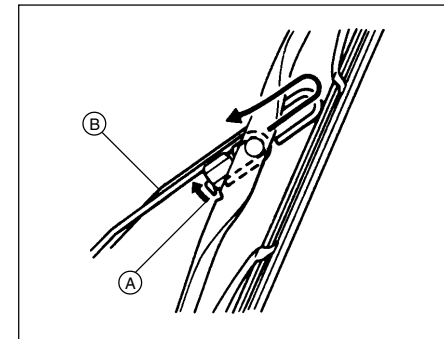
NOTE :
Some wiper blades may be different from the ones described here depending on vehicle specifications. If so, consult MARUTI SUZUKI dealer for proper replacement method.



09-60A258A

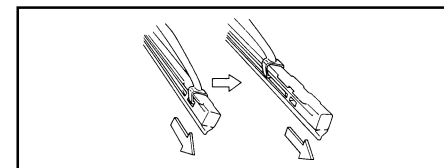
For windshield wipers:

1. Hold the wiper arm away from the window.



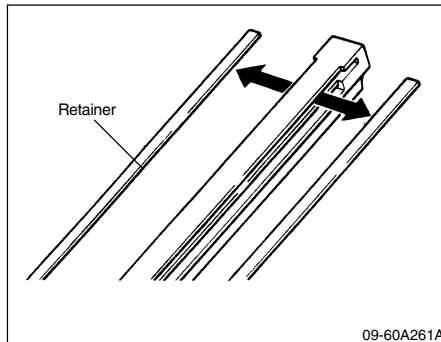
09-60A259A

2. Squeeze lock lever (A) towards wiper arm (B) and remove the wiper frame from the arm shown.

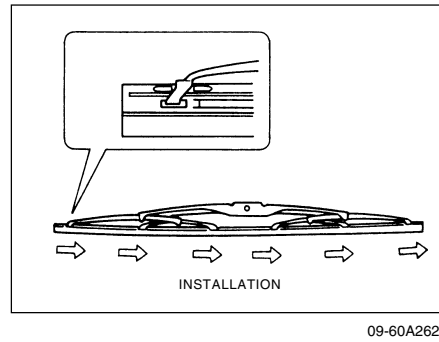


09-60A260A

3. Pull the locked end of the wiper blade firmly to unlock the blade and slide the blade out as shown.



4. If the new blade is provided without the two metal retainers, move them from the old blade to the new one.



5. Install the new blade in the reverse order of removal, with the locked end positioned toward the wiper arm. Make sure the blade is properly retained by all the hooks. Grasp the blade near the locked end and pull in the direction of the arrows to lock the end into place.
6. Reinstall wiper frame to arm, making sure that the lock lever is snapped securely into the arm.

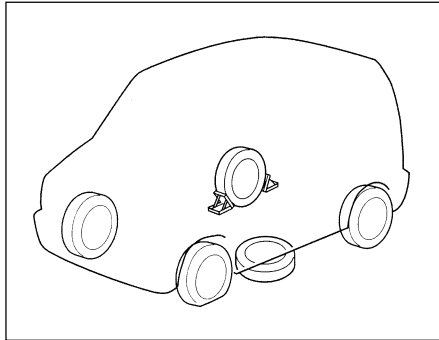
AIR CONDITIONING SYSTEM (if equipped)

If you do not use the air conditioner for a long period, such as during winter, it may not give the best performance when you start using it again. To help maintain optimum performance and durability of your air conditioner, it needs to be run periodically. Operate the air conditioner at least once a month for one minute with the engine idling. This circulates the refrigerant and oil and helps protect the internal components.

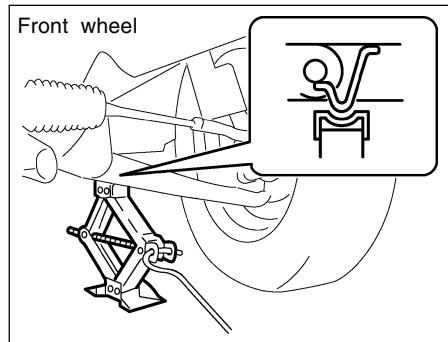
EMERGENCY SERVICE

Jacking instruction	11-1
Jump starting instruction	11-2
Towing.....	11-4
Emergency remedies	11-4
Warning Triangle	11-6

JACKING INSTRUCTIONS



10-75F062A



10-77A036A

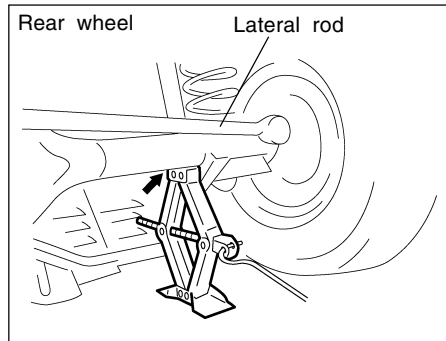
- 1) Place the vehicle on level, hard ground.
- 2) Apply the parking brake firmly and change into "R" (Reverse). Chock the front and rear of the wheel diagonally opposite of the wheel being lifted.
- 3) Turn on the hazard warning flasher if you vehicle is near traffic.
- 4) Position the jack vertically and raise the jack by turning the jack handle clockwise until the jack head recess fits the jacking point.
- 5) Continue to raise the jack slowly and smoothly until the tyre clears the ground. Do not raise the vehicle more than necessary.

▲ WARNING

- Use the jack only to change wheels on level, hard ground.
- Never jack up the vehicle on an inclined surface.
- Never raise the vehicle with the jack in a location other than under the specified jacking point (shown in the illustration) near the wheel to be changed.
- Make sure that the jack is raised at least 2 inches (51 mm) before it contacts the suspension arm boss. Use of the jack when it is within 2 inches of being fully collapsed may result in failure of the jack.
- Never get under the vehicle when it is supported by the jack.
- Never run the engine when the vehicle is supported by the jack and never allow passengers to remain in the vehicle.

EMERGENCY SERVICE

JUMP STARTING INSTRUCTIONS



10-77A037A

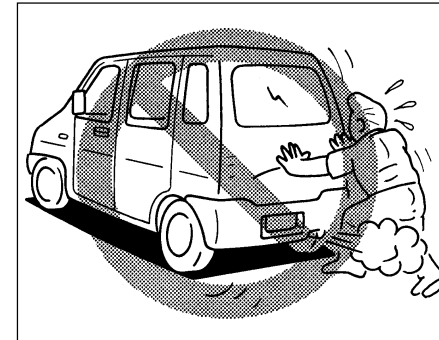
CAUTION

Do not fit the jack to the lateral rod near the rear axle. The lateral rod may be damaged.

⚠ WARNING

Never attempt to jump start your vehicle if the battery appears to be frozen. Batteries in this condition may explode or rupture if jump starting is attempted.

- When making jump lead connections, be certain that your hands and the jump leads remain clear from pulleys, belts, or fans.
- Batteries produce flammable hydrogen gas. Keep flames and sparks away from the battery or an explosion may occur. Never smoke when working in the vicinity of the battery.
- If the booster battery you use for jump starting is installed in another vehicle, make sure the two vehicles are not touching each other.
- If your battery discharges repeatedly, for no apparent reason, have your vehicle inspected by an authorized MARUTI SUZUKI dealer.
- To avoid harm to yourself or damage to your vehicle or battery, follow the jump starting instructions below precisely and in order. If you are in doubt, call for qualified road service.



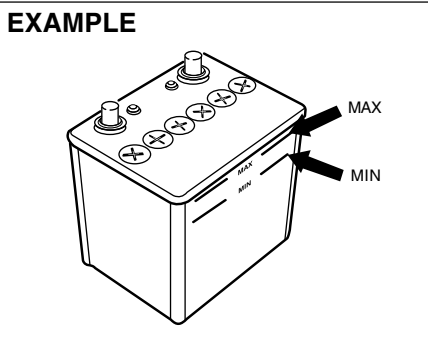
10-76A012A

CAUTION

Your vehicle should not be started by pushing or towing. This starting method could result in permanent damage to the catalytic converter. Use jump leads to start a vehicle with a weak or flat battery.

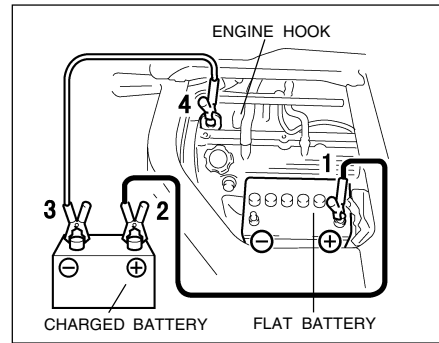
When jump starting your vehicle, use the following procedure:

- 1) Use only a 12 volt battery to jump start your vehicle. Position the good 12V battery close to your vehicle so that the jump leads will reach both batteries. When using a battery installed on another vehicle, DO NOT LET THE VEHICLES TOUCH. Apply the parking brakes fully on both vehicles.



10-60A269A

- 2) Turn off all vehicle accessories, except those necessary for safety reasons (for example, headlights or hazard lights).
- 3) Make jump lead connections as follows:
 - a) Connect one end of the first jump lead to the positive (+) terminal of the flat battery.
 - b) Connect the other end to the positive (+) terminal of the booster battery.
 - c) Connect one end of the second jump lead to the negative (-) terminal of the booster battery.
 - d) Make the final connection to an unpainted, heavy metal part of the engine of the vehicle with the flat battery.



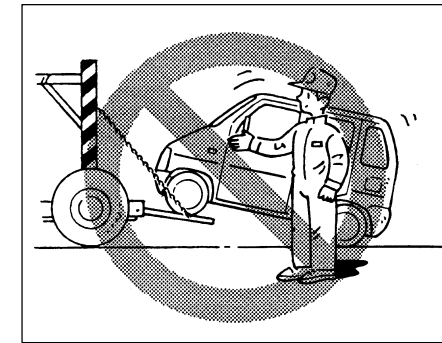
10-76A037A

⚠ WARNING

Never connect the jump lead directly to the negative (-) terminal of the discharged battery, or an explosion may occur.

- 4) If the booster battery you are using is fitted to another vehicle, start the engine of the vehicle with the booster battery. Run the engine at moderate speed.
- 5) Start the engine of the vehicle with the flat battery.
- 6) Remove the jump leads in the exact reverse order in which you connected them.

TOWING



09-76A019A

If you need to have your vehicle towed, contact a professional service. Your dealer can provide you with detailed towing instruction.

CAUTION

To help avoid damage to your vehicle during towing, proper equipment and towing procedures must be used.

EMERGENCY REMEDIES

CAUTION

Towing your vehicle with the drive wheels on the ground can result in damage to the manual transmission.

Manual Transmission

Your vehicle can be towed from the rear with the rear wheels lifted and the front wheels on the ground, provided the ignition key is turned to the "ACC" position to unlock the steering wheel, and the front wheels are facing straight forward and the steering wheel is secured with a steering wheel clamping device designed for towing.

If your vehicle is towed from the front with the front wheels lifted, be sure to secure the rear wheels on a towing dolly.

If the Starter Does Not Operate:

- 1) Try turning the ignition switch to the "START" position with the headlights turned on to determine the battery condition. If the headlights go excessively dim or go off, it usually means that either the battery is flat or the battery terminal contact is poor. Recharge the battery or correct battery terminal contact as necessary.
- 2) If the headlights remain bright, check the fuses. If the reason for failure of the starter is not obvious, there may be a major electrical problem. Have the vehicle inspected by your authorized MARUTI SUZUKI dealer.

If the Engine Overheats

The engine could overheat temporarily under severe driving conditions. If the engine coolant temperature indicator indicates overheating during driving:

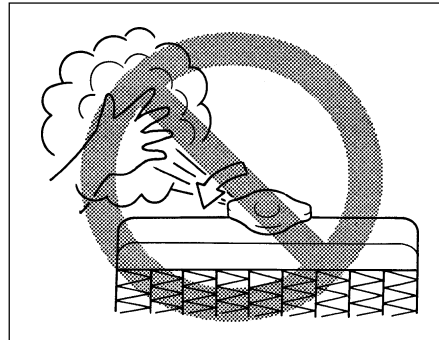
- 1) Turn off the air conditioner, if equipped.
- 2) Take the vehicle to a safe place and park.
- 3) Let the engine run at normal idle speed for a few minutes until the indicator is stops glowing.

▲ WARNING

If you see or hear escaping steam, stop the vehicle in a safe place and immediately turn off the engine to let it cool. Do not open the hood when steam is present. When the steam can no longer be seen or heard, open the hood to see if the coolant is still boiling. If it is, you must wait until it stops boiling before you proceed.

If the temperature indication does not stop glowing

- 1) Turn off the engine and check that the water pump belt and pulleys are not damaged or slipping. If any abnormality is found, correct it.
- 2) Check the coolant level in the reservoir. If it is found to be lower than the "LOW" line, look for leaks at the radiator, water pump, and radiator and heater hoses. If you locate any leaks that may have caused the overheating, do not run the engine until these problems have been corrected.
- 3) If you do not find a leak, carefully add coolant to the reservoir and then the radiator, if necessary. (Refer to "ENGINE COOLANT" in the "INSPECTION AND MAINTENANCE" section.)



09-70G146A

▲ WARNING

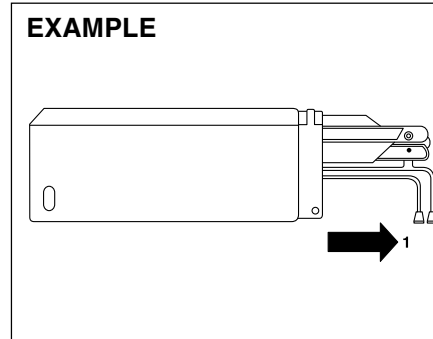
It is hazardous to remove the radiator cap when the coolant temperature is high, because scalding fluid and steam may be blown out under pressure. The cap should only be taken off when the coolant temperature has lowered.

▲ WARNING

To help prevent personal injury, keep hands, tools and clothing away from the engine cooling fan. It can automatically turn on without warning.

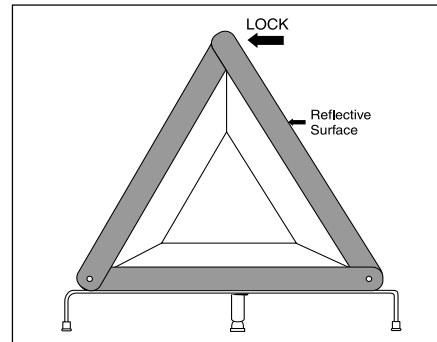
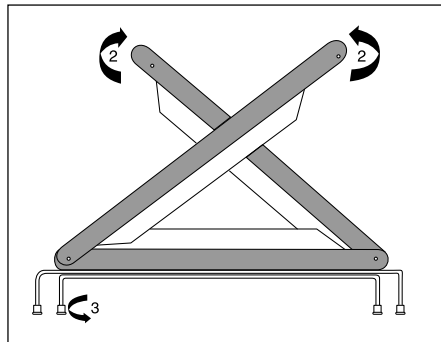
WARNING TRIANGLE

EXAMPLE



In case of vehicle breakdown or during emergency stopping where your vehicle could become a potential traffic hazard, keep the warning triangle, provided with your vehicle, on the road free from any obstacles behind your vehicle so as to warn the approaching traffic, at an approximate distance of 50-100 m, the reflecting side of the triangle should face the on coming traffic. Please activate the hazard warning lamps before alighting the vehicle to keep the warning triangle.

EMERGENCY SERVICE



- Remove the warning triangle carefully from the cover as shown by arrow 1.
- Open both the reflector arms as shown by arrows 2 and lock the arms with each other with the clip provided in the right arm. Open the bottom stand in counter clock-wise direction as shown by arrow 3. Position the warning triangle behind the vehicle on a plain surface.
- Reverse the removal procedure for keeping inside the cover.

BODY WORK CARE

CORROSION PREVENTION

It is important to take good care of your vehicle to protect it from corrosion.

Listed below are instructions for how to maintain your vehicle to prevent corrosion. Please read and follow these instructions carefully.

Important Information About Corrosion Common causes of corrosion

- 1) Accumulation of road salt, dirt, moisture, or chemicals in hard to reach areas of the vehicle underbody or frame.
- 2) Chipping, scratches and any damage to treated or painted metal surfaces resulting from minor accidents or abrasion by stones and gravel.

Environmental conditions which accelerate corrosion

- 1) Road salt, dust control chemicals, sea air or industrial pollution will all accelerate the corrosion of metal.
- 2) High humidity will increase the rate of corrosion particularly when the temperature range is just above the freezing point.
- 3) Moisture in certain areas of a vehicle for

an extended period of time may promote corrosion even though other body sections may be completely dry.

- 4) High temperatures will cause an accelerated rate of corrosion to parts of the vehicle which are not well ventilated to permit quick drying.

This information illustrates the necessity of keeping your vehicle (particularly the underbody) as clean and dry as possible. It is equally important to repair any damage to the paint or protective coatings as soon as possible.

How to Help Prevent Corrosion Wash your vehicle frequently

The best way to preserve the finish on your vehicle and to help avoid corrosion is to keep it clean with frequent washing.

Wash your vehicle at least once during the winter and once immediately after the winter. Keep your vehicle, particularly the underside, as clean and dry as possible.

If you frequently drive on salted roads, your vehicle should be washed at least once a month during the winter. If you live near the ocean, your vehicle should be washed at least once a month throughout the year.

Wash your vehicle immediately after using

it off-road. For washing instructions, refer to the "VEHICLE CLEANING" section.

Remove foreign material deposits

Foreign material such as salts, chemicals, road oil or tar, tree sap, bird droppings and industrial fall-out may damage the finish of your vehicle if it is left on painted surfaces. Remove these types of deposits as quickly as possible. If these deposits are difficult to wash off, an additional cleaner may be required. Be sure that any cleaner you use is not harmful to painted surfaces and is specifically intended for your purposes. Follow the manufacturer's directions when using these special cleaners.

▲ WARNING

Foreign material can lodge between the fuel tank of your vehicle and the skid plate which covers it. You should periodically clean out any foreign material which has accumulated in this area, since it could create a fire hazard.

BODY WORK CARE

Repair finish damage

Carefully examine your vehicle for damage to the painted surfaces, especially if it is used off-road. Should you find any chips or scratches in the paint, touch them up immediately to prevent corrosion from starting. If the chips or scratches have gone through to the bare metal, have a qualified body shop make the repair.

Keep Passenger and cargo compartments clean

Moisture, dirt or mud can accumulate under the floor mats and may cause corrosion. Occasionally, check under these mats to ensure that this area is clean and dry. More frequent checks are necessary if the vehicle is used off road or in wet weather.

Certain cargo such as chemicals, fertilizers, cleaners, salts, etc., are extremely corrosive by nature. These products should be transported in sealed containers. If a spill or leak does occur, clean and dry the area immediately.

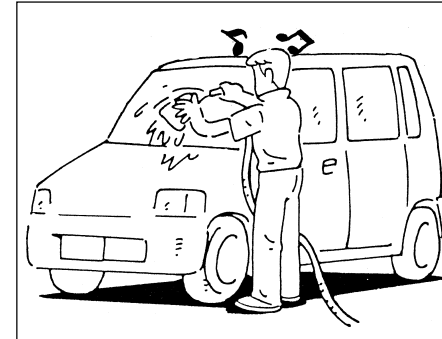
Store your vehicle in a dry, well-ventilated area.

Do not park your vehicle in a damp, poorly ventilated area. If you often wash your vehicle in the garage or if you frequently drive it in when wet, your garage may be damp. The high humidity in the garage may cause or accelerate corrosion. A wet vehicle may corrode even in a heated garage if the ventilation is poor.

▲ WARNING

Do not apply additional undercoating or rust preventive coating on or around exhaust system components such as the exhaust pipes, etc. A fire could be started if the undercoating substance becomes overheated.

VEHICLE CLEANING



12-76A025A

▲ WARNING

When cleaning the interior or exterior of the vehicle, NEVER USE flammable solvents such as lacquer thinners, petrol, benzene or cleaning materials such as bleaches or strong household detergents. The materials could cause personal injury or damage to the vehicle.

Cleaning the Interior

Vinyl upholstery

Prepare a solution of soap or mild detergent mixed with warm water. Apply the solution to the vinyl with a sponge or soft cloth and let it soak for a few minutes to loosen dirt. Rub the surface with a clean, damp cloth to remove dirt and the soap solution. If some dirt still remains on the surface, repeat this procedure.

Fabric upholstery

Remove loose dirt with a vacuum cleaner. Using a mild soap solution, rub stained areas with a clean damp cloth. To remove soap, rub the areas again with a cloth dampened with water. Repeat this until the stain is removed, or use a commercial fabric cleaner for tougher stains. If you use a fabric cleaner, carefully follow the manufacturer's instructions and precautions.

Seat Belts

Clean seat belts with a mild soap and water. Do not use bleach or dye on the belts. They may weaken the fabric in the belts.

Vinyl floor mats

Ordinary dirt can be removed from vinyl with water or mild soap. Use a brush to help loosen dirt. After the dirt is loosened, rinse the mat thoroughly with water and dry it in the shade.

Carpets

Remove dirt and soil as much as possible with a vacuum cleaner. Using a mild soap solution, rub stained areas with a clean damp cloth. To remove soap, rub the areas again with a cloth dampened with water. Repeat this until the stain is removed, or use a commercial carpet cleaner for tougher stains. If you use a carpet cleaner, carefully follow the manufacturer's instructions and precautions.

Cleaning the Exterior

CAUTION

It is important that your vehicle be kept clean and free from dirt. Failure to keep your vehicle clean may result in fading of the paint or corrosion to various parts of the vehicle body.

Washing

▲ WARNING

- **Never attempt to wash and wax your vehicle with the engine running.**
- **When cleaning the underside of the body and fender, where there may be sharp-edged parts, you should wear gloves and a longsleeved shirt to protect your hands and arms from being cut.**
- **After washing your vehicle, carefully test the brakes before driving to make sure they have maintained their normal effectiveness.**

BODY WORK CARE

When washing the vehicle, park it where the direct sunlight does not fall on it and follow the instructions below:

- 1) Flush the underside of body and wheel housings with pressurized water to remove mud and debris. Use plenty of water.

CAUTION

When washing the vehicle, avoid directing steam or hot water of more than 80°C (176°F) on plastic parts.

- 2) Rinse the body to loosen the dirt. Remove dirt and mud from the body exterior with running water. You may use a soft sponge or brush. Do not use hard materials which can scratch the paint or plastic. Remember that the headlight cover or lens are made of plastic in many cases.

CAUTION

To avoid damage to the paint or plastic surface, do not wipe the dirt off without ample water. Be sure to follow above procedure.

- 3) Wash the entire exterior with a mild detergent or car wash soap using a sponge or soft cloth. The sponge or cloth should be frequently soaked in the soap solution.

CAUTION

When using a commercial car wash product, observe the cautions specified by the manufacturer. Never use strong household detergents or soaps.

- 4) Once the dirt has been completely removed, rinse off the detergent with running water.
- 5) After rinsing, wipe off the vehicle body with a wet chamois or cloth and allow it to dry in the shade.
- 6) Check carefully for damage to painted surfaces. If there is any damage, "touchup" the damage following the procedure below:
 - a) Clean all damaged spots and allow them to dry.
 - b) Stir the paint and "touchup" the damaged spots lightly using a small brush.
 - c) Allow the paint to dry completely.



12-76A026A

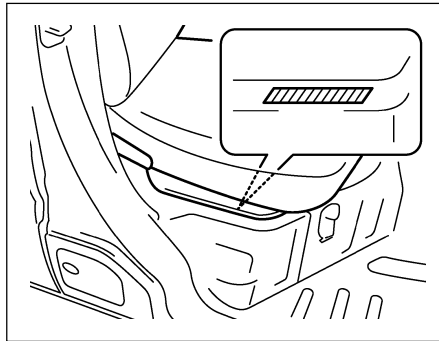
Waxing

After washing the vehicle, waxing and polishing are recommended to further protect and beautify the paint.

- Only use waxes and polishes of good quality.
- When using waxes and polishes, observe the precautions specified by the manufacturers.

GENERAL INFORMATION

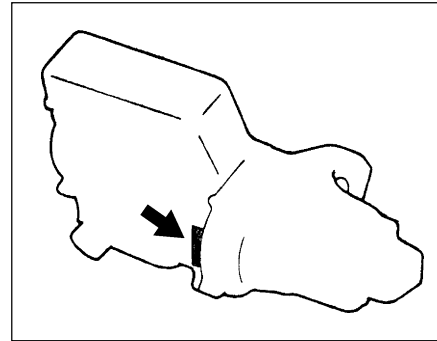
VEHICLE IDENTIFICATION



13-77A039A

Chassis Number

The chassis and engine serial numbers are used to register the vehicle. They are also used to assist your dealer when ordering or referring to special service information. Whenever you have occasion to consult your MARUTI SUZUKI dealer, remember to identify your vehicle with this number. Should you find the number difficult to read, you will also find it on the identification plate.



13-60G128A

Engine Number

The engine serial number is stamped on the cylinder block as shown in the illustration.

SUPPLEMENTARY FOR AMBULANCE (EECO CARE)

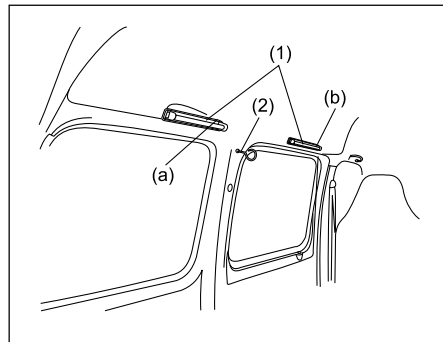
Revolving light	14-1
Tube lights and hook	14-1
Siren and Revolving Light Switch.....	14-1
First Aid Box and Oxygen Cylinder Clamp	14-1
Back Door Opener Knob	14-1
Rear View	14-2
Attendant Seat Folding	14-2
Stretcher Removal.....	14-2
Rear Seat Folding	14-2

REVOLVING LIGHT



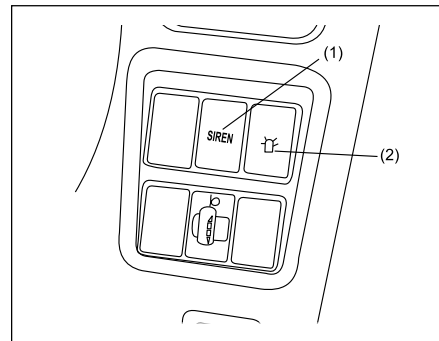
Revolving light (1) is located on the roof as shown.

TUBE LIGHTS & HOOK



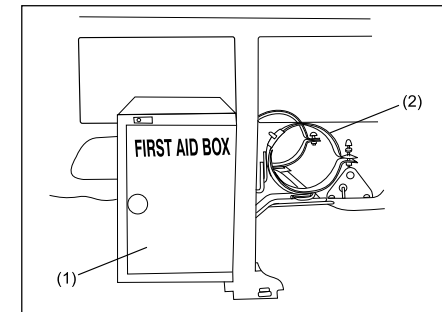
Tube lights (1) and hook (2) are located above the stretcher. Tube lights can be switched on by pressing switch (a) and (b) for individual tube lights.

SIREN AND REVOLVING LIGHT SWITCH



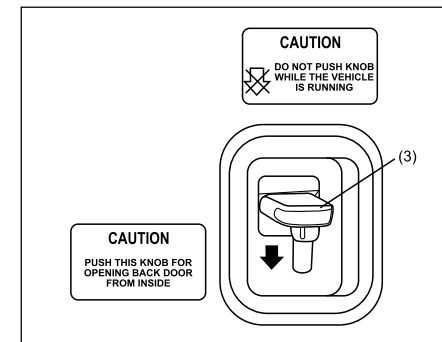
Switches for Siren and Revolving light are located on dash board on right side of steering wheel. Press Siren switch (1) for activating Siren and push again to deactivate. Press switch (2) for revolving light and push again for switching off.

FIRST AID BOX AND OXYGEN CYLINDER CLAMP



First aid box (1) and oxygen cylinder clamp (2) are located below stretcher.

BACK DOOR OPENER KNOB

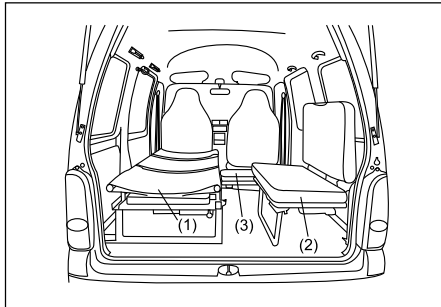


SUPPLEMENTARY FOR AMBULANCE (ECCO CARE)

Back door can be opened from inside by pressing the knob downwards

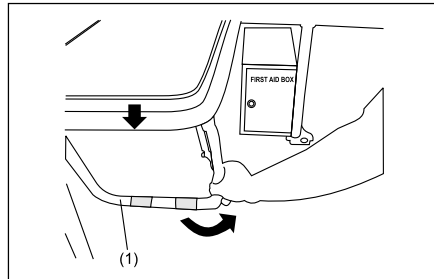
CAUTION
Do not push knob while the vehicle is running.

REAR VIEW



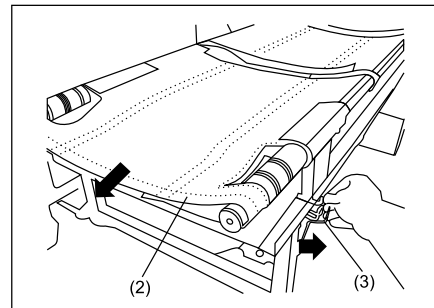
- 1) Stretcher
- 2) Rear seat (2 person)
- 3) Attendant seat

ATTENDANT SEAT FOLDING



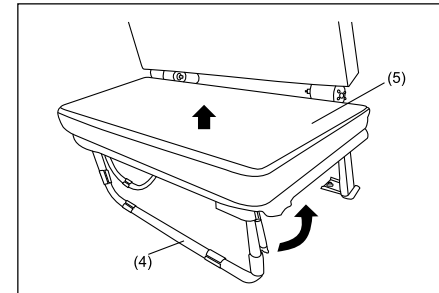
Fold the attendant seat leg (1) inside as shown, in order to fold the attendant seat.

STRETCHER REMOVAL

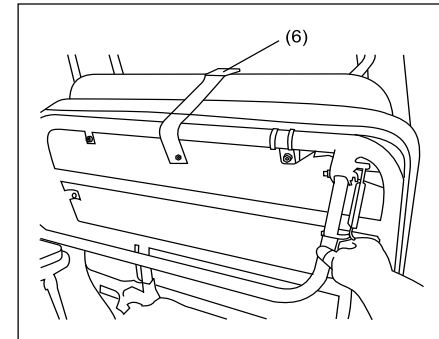


Pull pin (3) outwards in direction shown, in order to remove stretcher (2).

REAR SEAT FOLDING



Fold rear seat leg (4) in direction as shown. Lift seat (5) up wards in order to fold it.



Using strap (6) fold the seat as shown in the figure.

**FOR VEHICLES FITTED
WITH CNG FUEL SYSTEM**

Introduction To CNG	15-2
Safety Precautions (Do's & Don'ts).....	15-2
Layout of The CNG System	15-3
Fuel Modes.....	15-4
Selector Switch Position	15-4
Petrol Mode	15-4
Auto Mode	15-4
Forced CNG Mode	15-5
CNG Level Indicator	15-5
CNG Filler Valve	15-6
CNG Cylinder	15-6
Manual Shut-off Valve	15-7
CNG Fuses	15-8
Instrument Cluster	15-9
CNG Malfunction Warning Lamp.....	15-10
CNG Kit Identification	15-10
CNG Warning Label	15-10
Lifting Partition Grill (Cargo)	15-11
Periodic Maintenance Schedule	15-12
Fire Extinguisher (If Equipped).....	15-13
Parts Description	15-13
Removal Procedure	15-14
Procedure of Operation	15-14
Fitment Procedure	15-15
Refilling Schedules	15-15

FOR VEHICLES FITTED WITH CNG FUEL SYSTEM

NOTE:

- **AS PER GOVERNMENT REGULATION, CNG CYLINDER NEEDS TO BE CHECKED AND CERTIFIED EVERY FIVE (5) YEARS FROM THE DATE OF INITIAL TESTING AS MENTIONED ON THE CNG CYLINDER IDENTIFICATION PLATE. CUSTOMER HAS TO PRESENT THE VEHICLE TO A GOVERNMENT APPROVED TESTING AGENCY.**
- **AS PER GOVERNMENT REGULATION, CNG CYLINDER HAS TO BE DISCARDED AT 20 YEARS FROM THE DATE OF INITIAL TESTING AS MENTIONED IN THE CNG CYLINDER IDENTIFICATION PLATE. CUSTOMER HAS TO DISCARD THE CYLINDER AT HIS / HER EXPENSE THROUGH GOVERNMENT APPROVED SCRAP AGENCIES.**
- **DO NOT REUSE THE CYLINDER VALVE, ONCE IT IS REPLACED / REMOVED FROM CYLINDER ASSEMBLY.**

INTRODUCTION TO CNG:

CNG (Compressed Natural Gas) is principally constituted by methane. CNG is considered as clean burning fuel. Due to low density of CNG, it is compressed at a pressure of around 200 bars to enhance the vehicle on-board storage capacity.

CAUTION

In case of any symptom of CNG leakage or releasing noise or any external damage to CNG piping or during accident, do not panic.

- **Stop the vehicle and switch off the engine, roll down the windows and open all the doors**
- **Ensure to close manual shut off valve.**
- **Contact Maruti Suzuki authorized workshop immediatly for further assistance.**

SAFETY PRECAUTIONS (DO'S):

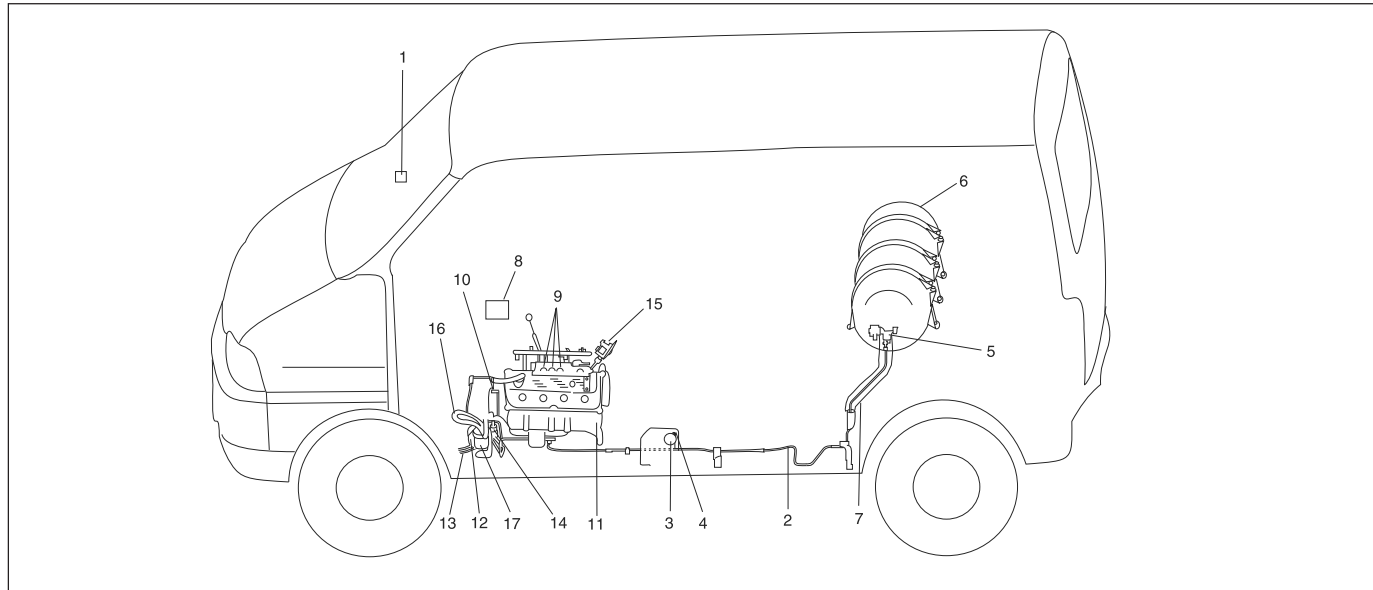
1. If any service or body repair is to be carried out, turn the manual shut off valve on CNG cylinder valve to close position prior to commencement of the repair work.
2. Get the CNG cylinder checked every five (5) years from the date of last testing / re testing of cylinder by government authorized CNG cylinder testing agency.
3. If the vehicle does not changeover to CNG in AUTO MODE, then have your vehicle checked by Maruti Suzuki authorized workshop at the earliest.
4. Switch "OFF" engine while fuel filling (CNG/Petrol).
5. After refueling CNG, ensure that the CNG filler valve cover is closed (Otherwise vehicle cannot be started).
6. In AUTO MODE, It is programmed to start the vehicle in petrol and automatically shift to CNG based on the engine temperature etc. Do not press the accelerator pedal to change from petrol to CNG.

SAFETY PRECAUTIONS (DON'TS):

1. Do not change/modify the configuration, settings or the components from CNG system.
2. The CNG cylinder should not be repaired under any circumstances, in case of any problem, consult with Maruti Suzuki authorized workshop.
3. Do not adjust setting of CNG system.
4. Never install LPG or any other gas cylinder in place of CNG cylinder.
5. Avoid carrying inflammable material near the CNG cylinder.
6. Do not fill any other type of gas other than CNG.
7. Do not press the accelerator pedal to change from petrol to CNG MODE.

FOR VEHICLES FITTED WITH CNG FUEL SYSTEM

LAYOUT OF THE CNG SYSTEM



- 1 Changeover switch
- 2 High pressure pipe
- 3 Receptacle
- 4 Fuel lid switch
- 5 CNG cylinder valve
- 6 CNG cylinder

- 7 Vent hose
- 8 CNG controller
- 9 CNG injectors
- 10 Low pressure & temperature sensor
- 11 Engine
- 12 Pressure regulator

- 13 Water hose
- 14 High pressure sensor
- 15 High pressure gauge
- 16 Low pressure hose
- 17 CNG filter

FUEL MODES

There are three fuel modes in the vehicle (Petrol, Auto and Forced CNG) which are selectable by pressing the selector switch (1) located on the right side of the steering wheel on the dashboard.

⚠ WARNING

Make sure that the parking brake is applied fully and the transmission is in Neutral before attempting to start the engine.

CAUTION

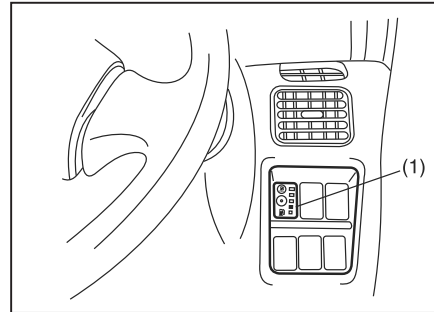
- Stop turning the starter immediately after the engine has started or the starter system can be damaged.
- Do not crank the engine for more than 15 seconds at a time. If the engine doesn't start on the first try, wait about 15 seconds before trying again.

NOTE:

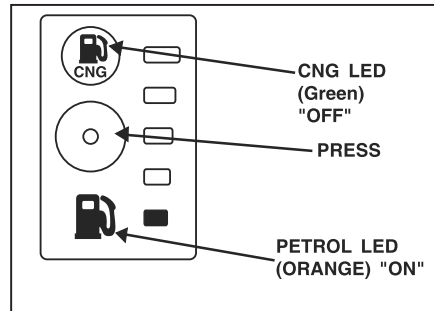
Do not press the accelerator pedal to changover from petrol to CNG model.

With ignition switch "ON" and engine not running, blinking of CNG malfunction warning lamp indicates that fuel filler valve cover is not closed properly. Vehicle will not start in this condition.

SELECTOR SWITCH POSITION

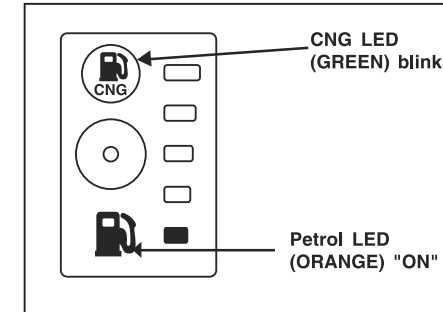


PETROL MODE



In this mode vehicle starts in petrol and continue running in petrol mode. In this mode, petrol indicator glows continuously in ORANGE color and CNG indicator (GREEN) will remain "OFF".

AUTO MODE



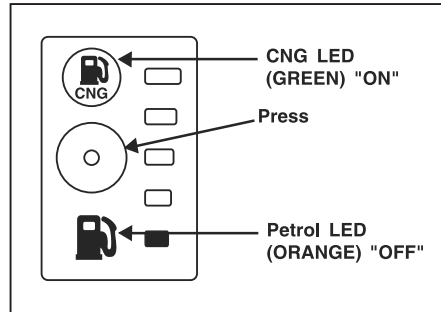
In this mode engine starts in petrol mode and then automatically changes to CNG after reaching programmed warming up condition. With ignition switch ON and vehicle started in "AUTO MODE", CNG indicator blinks (Green Color), and PETROL indicator glows (Orange color) continuously. After changeover to CNG, CNG indicator will glow continuously and Petrol indicator switch's OFF automatically.

NOTE:

It is always recommended to start the vehicle in AUTO MODE or Petrol MODE to enhance the engine life.

FOR VEHICLES FITTED WITH CNG FUEL SYSTEM

FORCED CNG MODE (FOR EMERGENCY USE ONLY)

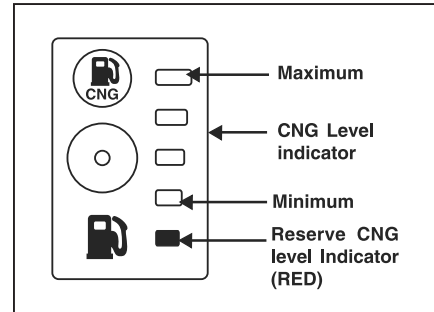


This is emergency mode and may be used in cases where there is no petrol in petrol tank. In this mode vehicle starts in CNG and continues running in CNG mode. With ignition "ON" and engine not running, press and hold the changeover switch till CNG indicator glows continuously. In this mode, CNG indicator glows continuously in GREEN color and Petrol indicator (ORANGE) remains "OFF".

NOTE:

It is recommended to keep sufficient amount of petrol in the petrol tank.

CNG LEVEL INDICATOR (ON DASHBOARD)



CNG level indicator is built into the changeover switch. It consists of four green and one red LEDs, which indicates approximate amount / level of remaining CNG in the cylinder. Red LED of CNG level indicator glows when reaches to reserve quantity.

NOTE:

- When CNG reserve level indicator glows, refill CNG as soon as possible.
- In case of CNG refilling, the updated CNG level indication will appear only when vehicle is running on CNG.

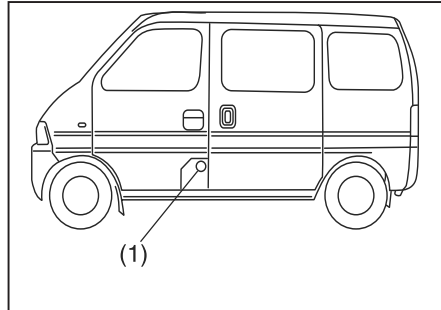
AUTOMATIC CHANGEOVER FROM CNG MODE TO PETROL MODE:

If CNG is finished while the engine is running, vehicle will automatically change over from CNG mode to petrol mode & CNG malfunction warning lamp will start blinking. Petrol indicator (ORANGE color) will glow continuously and CNG indicator (GREEN color) will switch OFF automatically. To acknowledge this information, press the changeover switch once. The CNG malfunction warning lamp will stop blinking after the changeover switch is pressed and Petrol indicator (ORANGE color) will glow continuously.

NOTE:

- It is recommended to keep sufficient amount of petrol in the petrol tank to prevent engine stalling while automatic changeover from CNG mode to Petrol mode.
- In case the CNG malfunction warning lamp does not stop blinking after pressing the changeover switch, take the vehicle to the nearest MARUTI SUZUKI dealer.

CNG FILLER VALVE



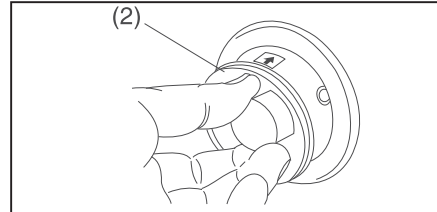
The CNG filler valve (1) is located on the left side of vehicle outboard.

CNG filler valve (1) can be unlocked by pulling out the Filler valve cover (2) and can be covered by simply pushing it back.

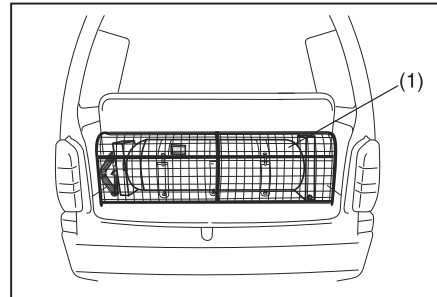
Filling automatically gets cut off when the cylinder pressure becomes equal to dispenser pressure. After CNG filling, ensure that the filler valve cover (2) is closed.

Note:

If the Fuel filler cover (2) is not closed properly, you will not be able to start the vehicle.



CNG CYLINDER

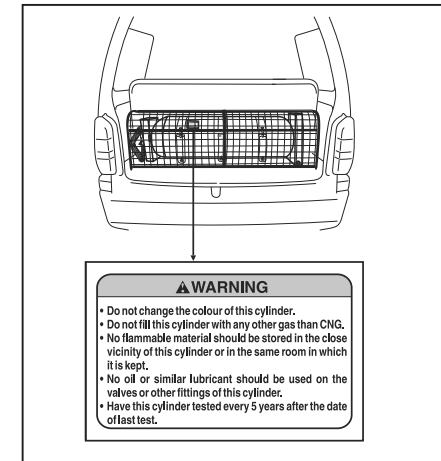


CNG cylinder (1) is installed in the luggage compartment, and is covered with protective cage (if equipped)

CAUTION

Do not sit or carry items luggage or load on the top of cylinder cage, even if items are small & light. Objects on the top of the cage could be thrown about in case of accident, causing injury or obstruct the driver's rear view. Cylinder cage may also get damaged.

CNG CYLINDER WARNING LABEL

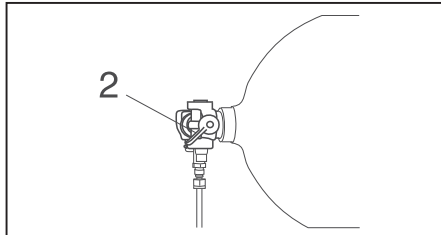


▲ WARNING

- Do not change the colour of this cylinder.
- Do not fill this cylinder with any other gas than CNG.
- No flammable material should be stored in the close vicinity of this cylinder or in the same room in which it is kept.
- No oil or similar lubricant should be used on the valves or other fittings of this cylinder.
- Have this cylinder tested every 5 years after the date of last test.

FOR VEHICLES FITTED WITH CNG FUEL SYSTEM

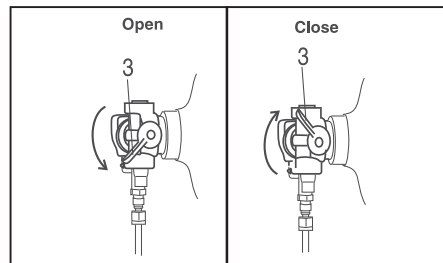
You may find this label on the CNG cylinder.



MANUAL SHUT-OFF VALVE

Manual shut-off valve (2) is located on the left hand side of the CNG cylinder.

MANUAL SHUT-OFF VALVE OPERATION



CNG supply can be switched off by closing the manual shutoff valve.

Valve closing: Turn the knob completely in clockwise direction to close the CNG supply to Engine.

Valve opening: Turn the knob completely in anti-clockwise direction to open the CNG supply to Engine.

Note:

- If the manual shut-off valve is not opened fully, then the engine may not run properly.
- If the manual shut-off valve is in closed condition, it is not possible to fill CNG into the cylinder.

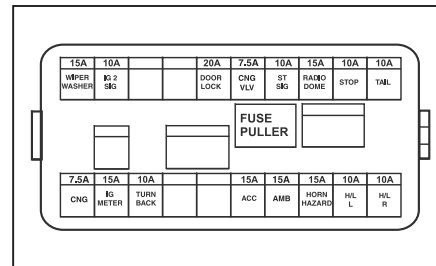
NOTE:

- As per Government regulation, CNG cylinder needs to be checked and certified every five (5) years from the date of initial testing as mentioned on the CNG cylinder identification plate.
- Customer has to present the vehicle to a government approved testing agency.
- Failure to test the cylinder may result in denying of CNG filling by the CNG dispensing stations or may result in confiscating the vehicle by enforcement authorities.
- All the expenses for CNG cylinder testing has to be borne by the customer.
- As per Government regulation, CNG cylinder has to be discarded at 20 years from the date of initial testing as mentioned in the CNG cylinder identification plate.
- Customer has to discard the cylinder at his / her expense through government approved scrap agencies.
- No person shall refill any cylinder, which has been repaired under sub-rule (2) with any gas unless a full report on the repairs and test carried out on the cylinder, accompanied by the repairer's certificate of testing are furnished to the Chief Controller and his permission is obtained for its refilling.

⚠ WARNING

- Never remove the cylinder valve from the cylinder assembly. For any assistance consult Maruti Suzuki authorized workshop.
- Never try to clean the cylinder. In case of any problem, contact Maruti Suzuki authorized workshop.
- Do not reuse the cylinder valve, once it is replaced / removed from cylinder assembly.
- Even if the CNG from the cylinder is consumed till engine stops, some amount of CNG will be left out in the tank under pressure.

CNG FUSES



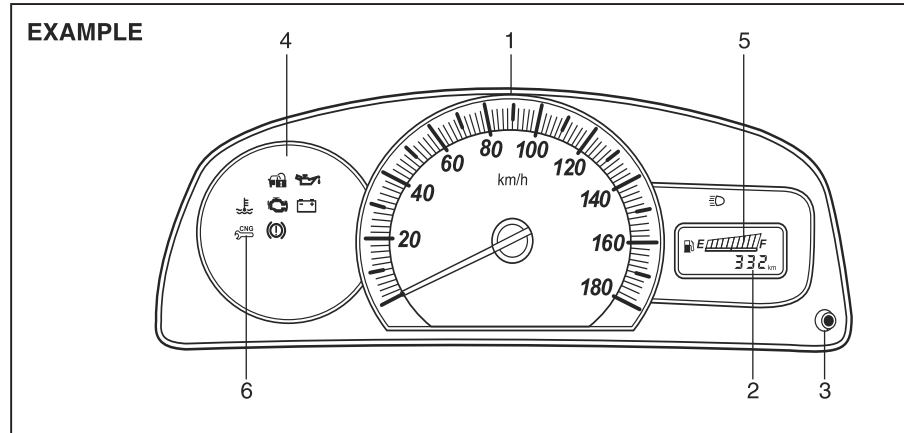
**LIST OF APPROVED CNG
CYLINDERS
TESTING STATIONS**

To obtain testing stations information
visit the following internet website
address :
"www.peso.gov.in"

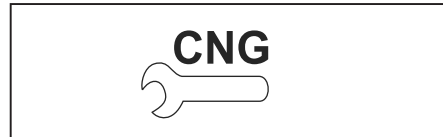
FOR VEHICLES FITTED WITH CNG FUEL SYSTEM

INSTRUMENT CLUSTER

- 1) Speedometer
- 2) Odometer / Tripmeter
- 3) Odometer / Tripmeter selector knob
- 4) Other warning & indicator lamps
- 5) Fuel Indicator
- 6) CNG malfunction warning Indicator lamp



CNG MALFUNCTION WARNING LAMP



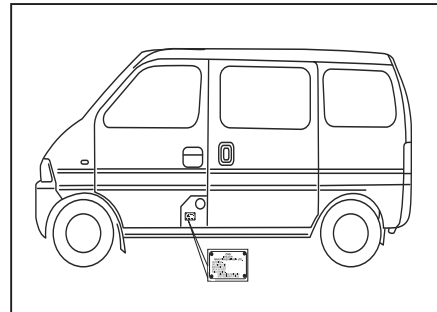
When the ignition switch is turned "ON", this CNG malfunction warning lamp comes on briefly, to check that the CNG system is troublefree.

- If CNG malfunction warning lamp glows continuously, with ignition "ON" there is some problem with the CNG system. Immediately get your vehicle checked by Maruti Suzuki authorized workshop.
- If CNG malfunction warning lamp blinks during engine running, it means there is some problem in CNG system in which vehicle cannot continue running in CNG MODE and automatically switchover to petrol mode. Have your vehicle checked at Maruti Suzuki authorized workshop.

NOTE:

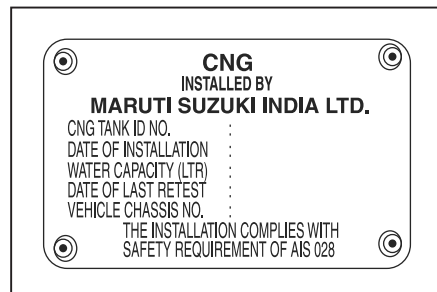
With ignition switch "ON" and engine not running, blinking of CNG lamp indicates that CNG filler valve cover is open. Vehicle will not start in this condition. Close CNG filler valve cover in order to start the vehicle.

CNG KIT IDENTIFICATION

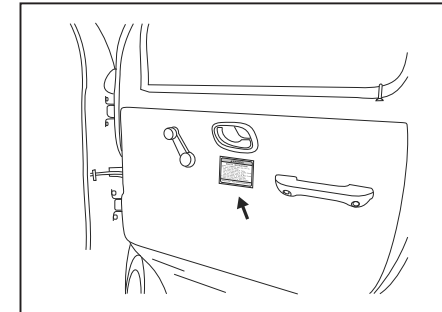


CNG cylinder identification number and CNG kit installation date is located below CNG filler valve as shown.

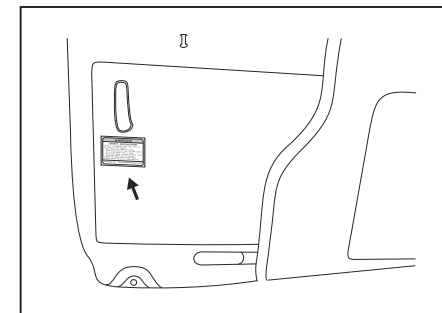
CNG warning label is located on front and rear RH doors.



CNG WARNING LABEL



Front Driver door



Rear Slide Door (Right Side)

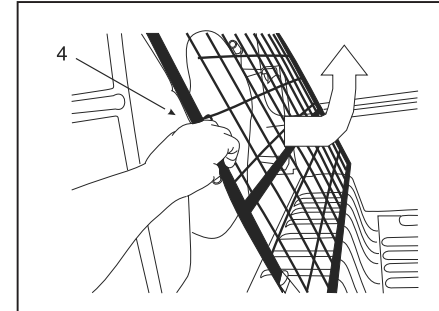
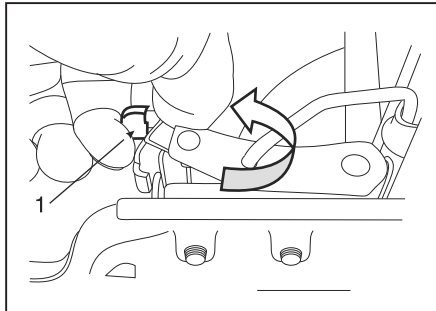
FOR VEHICLES FITTED WITH CNG FUEL SYSTEM

⚠ WARNING

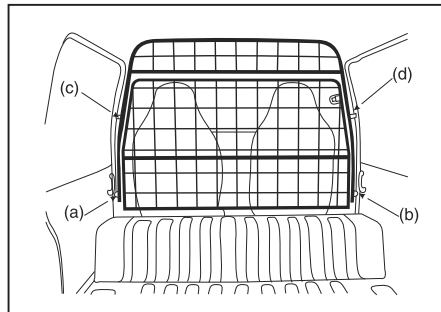
SAFETY INSTRUCTIONS

- CNG is FLAMMABLE, keep away from fire.
- In case of CNG leakage;
 - Stop vehicle and switch off engine.
 - Close manual shut-off valve on CNG Cylinder.
 - Do not run vehicle even in petrol.
 - Have your vehicle Inspected at Maruti Suzuki authorized workshop at the earliest.
- Switch off engine before refilling CNG.
- Read owner's manual for more information.

Emergency Nos. - Police:100,Fire:101,Ambulance:102



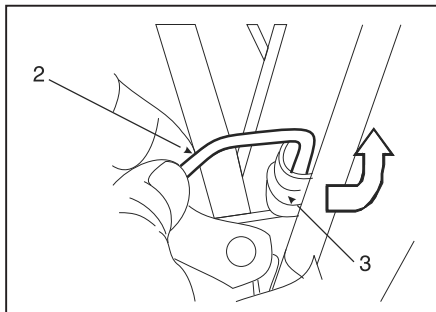
LIFTING PARTITION GRILL (CARGO)



There are four locking points for partition grill (a), (b), (c) and (d)

(c) and (d).
Disengage bracket (2) from clamp (3) by

Lift lever (1) located at four points (a), (b), as shown in figure.



lifting it upwards

Partition (4) can be raised by lifting upwards

FOR VEHICLES FITTED WITH CNG FUEL SYSTEM

PERIODIC MAINTENANCE SCHEDULE

	Kms (1 x 1000)											
	1	5	10	20	30	40	50	60	70	80	90	100
Month	1	6	12	24	36	48	60	72	84	96	108	120
All Joints (Gas leakage)	I	I	I	I	I	I	I	I	I	I	I	I
Coolant Hoses (Leakage, Damage)	I	I	I	I	I	I	I	I	I	I	I	I
All Fasteners Torque values	T	T	T	T	T	T	T	T	T	T	T	T
CNG reducer filter cartridge with O-Ring	-	-	-	-	-	R	-	-	-	R	-	-
CNG low pressure filter cartridge with O-Ring	-	-	-	R	-	R	-	R	-	R	-	R
CNG cylinder leak testing and certification	Every 5 years from the date of initial testing by govt. approved testing agency											
CNG filler receptacle O-Ring	Replace every 4 years or 300,000 Km, whichever comes earlier											

T Tighten to Specific Torque

I Inspect and correct or replace if necessary

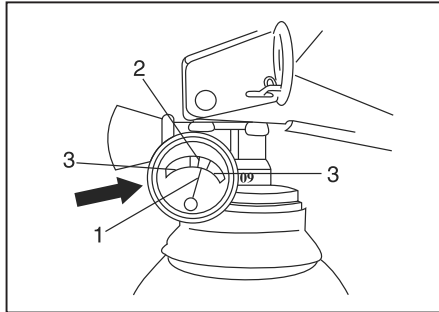
R Replace

Note:

- *This table includes services as scheduled up to 100,000 km mileage. Beyond 100,000 km, carry out the same services at the same intervals respectively.*
- *For other maintenance details refer "Inspection & Maintenance" section in main Owner's Manual.*

FOR VEHICLES FITTED WITH CNG FUEL SYSTEM

FIRE EXTINGUISHER (if equipped) Do's and Don'ts



Do's

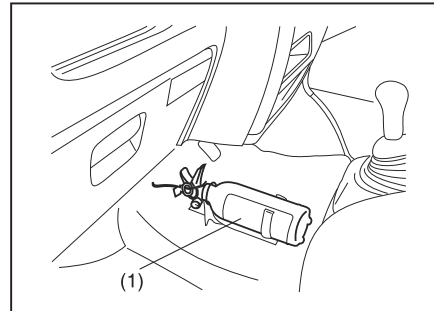
1. Check pressure gauge periodically. Max charging pressure is 15Kgf/cm² (in green zone (2)).
2. When pressure drops, indicator needle (1) will shift to the red zone (3). Immediately contact Maruti Suzuki authorized workshop for inspection / refilling.
3. Get the fire extinguisher serviced, only through Maruti Suzuki authorized workshop.
4. Ensure that the Fire extinguisher is always kept at its prescribed position in the vehicle.
5. Refill the fire extinguisher immediately after use.

15-13

Don't

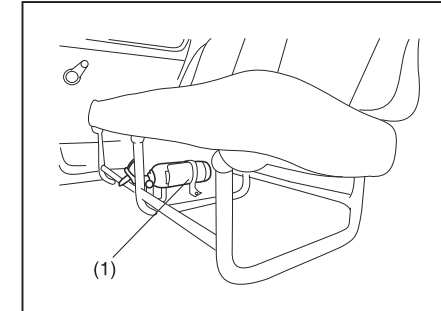
- Do not use water for cleaning fire extinguisher. (Use clean cloth for removing dust)
- Do not rely on used or discharged fire extinguisher.

LOCATION (IN CARGO)



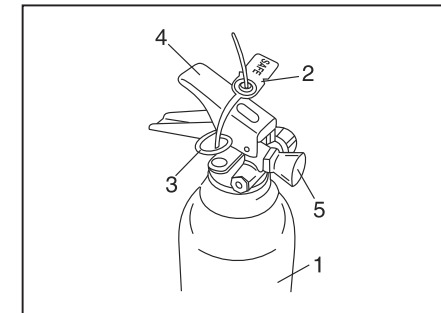
Fire extinguisher (1) is located between driver's and co-passenger as shown.

LOCATION (IN PASSENGER)



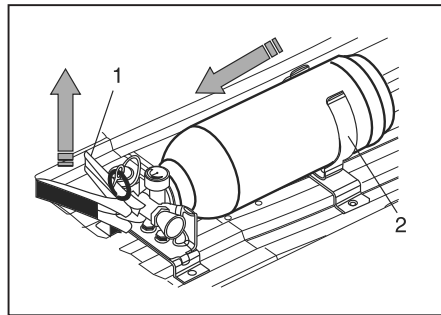
Fire extinguisher (1) is located below the rear seat as shown.

PARTS DESCRIPTION



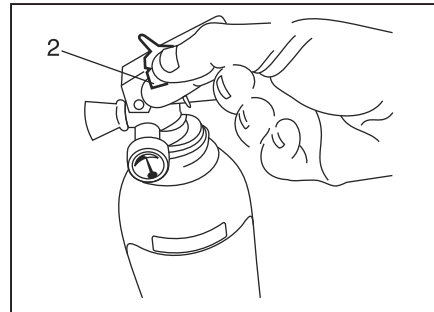
- 1) Fire extinguisher cylinder
- 2) Seal
- 3) Safety Pin
- 4) Lever
- 5) Nozzle

REMOVAL PROCEDURE

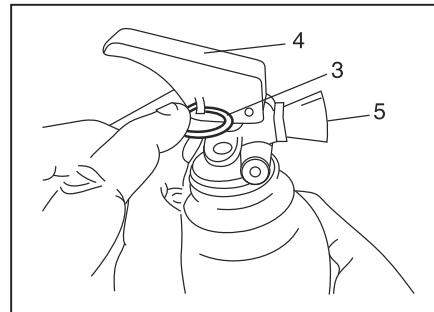


Lift Lever (1) of fire extinguisher slightly upwards and pull the fire extinguisher in the direction as shown in the figure, in order to disengage it from clamp (2).

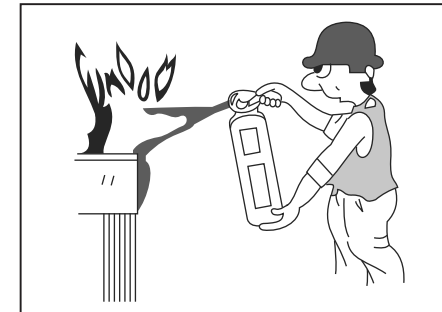
PROCEDURE OF OPERATION



1. Hold the fire extinguisher (1) upright.
2. Break seal (2) by rotating the safety pin (3).



3. Pull Safety pin (3)
4. Squeeze lever (4) and direct the jet from nozzle (5) towards the near edge of the fire with a rapid (fast) sweeping motion.

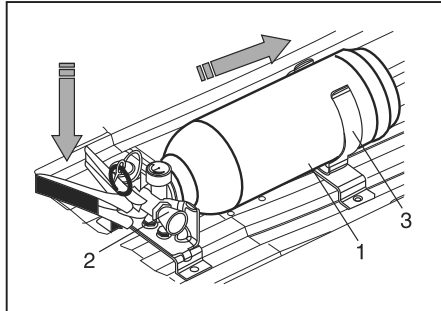


5. Drive the fire towards the far edge until flames are extinguished.

NOTE:
Fire extinguisher is only meant for small fire caused in vehicle by external source only.

FOR VEHICLES FITTED WITH CNG FUEL SYSTEM

FITMENT PROCEDURE



Insert the body of fire extinguisher (1) in to the clamp (3) and place the nozzle (2) carefully downwards, on the clamp

NOTE:

Ensure that the nozzle of fire extinguisher is properly seated on the clamp.

REFILLING SCHEDULES

1. Refilling is necessary after every use.
2. Fire extinguisher needs refilling after every 3 years even if it is not used.

SPECIFICATIONS

NOTE:

Specifications are subjected to change without notice.

DIMENSIONS (mm.)	EECO AND EECO CNG		EECO CARE	
Overall Length	3675		3675	
Overall width	1475		1475	
Overall height	1800		1905	
Wheelbase	2350		2350	
Tread	Front	1280	1280	
	Rear	1290	1290	
Ground clearance	160		160	
MASS (WEIGHT) (kg.)	EECO	EECO CNG		EECO CARE
		PASSENGER	CARGO	
Kerb mass (weight)	895 ~ 923 kg	1010 - 1040 kg	1000 kg	965
Gross vehicle mass (weight)	1510 ~1540 kg	1510 kg	1540 kg	1510
Seating capacity	5 - 7	5	2	4 + 1 patient
ENGINE				
Type	G12B			
Number of cylinders	4			
Bore	71.0 mm			
Stroke	75.5 mm			
Piston displacement	1196 cc			
Compression ratio	9.9 (-0.5 / +0.7)			

SPECIFICATIONS

ELECTRICAL	EECO and EECO CNG	EECO CARE
Standard Spark Plug	MICO-FR6DC4	MICO-FR6DC4
Battery	38B20L(28AH/5HR)	55B24L
Fuses	See "INSPECTION AND MAINTENANCE" SECTION	
Headlight	12V 60/55 W	12V 60/55 W
Turn signal light	12V 21W	12V 21W
Side turn signal light	12V 5W	12V 5W
Clearance light	12V 5W	12V 5W
Tail Brake light	12V 21W	12V 21W
Registration plate light	12V 5W	12V 5W
Reversing light	12V 21W	12V 21W
Front Interior Light	12V 8W	12V 8W
Rear Interior Light	12V 8W	12V 8W
WHEEL AND SUSPENSION		
Tyre size, front and rear	155R13LT	
Tyre pressure	Upto 4 persons 1.8 Kgf/cm ² 2.3 Kgf/cm ²	Above 4 persons 2.5 Kgf/cm ² 4.5 Kgf/cm ²
Suspension type	Front Rear	Mc Pherson Strut 3 - link rigid
STEERING (mm)		
Toe-in	Front Rear	3.5 mm 0.0 mm
CAPACITIES		
Coolant (including reservoir tank)	5.3 L	
Fuel tank	40 L	
Engine oil	4.2 L (Replacement with oil filter)	
Transmission / Differential Oil	1.4 L / 1.3 L	
Washer Tank	2.0 L	
CNG (Water Filling Capacity)	65L	